



9W Interchangeable Plug Series with Micro-USB Connector PSAC09R Adapter Meets EISA and Ecodesign Requirements



Features

- Double Insulated
- Field Changeable AC Plugs
- Efficiency Level V Compliance
- Ecodesign ErP Directive Compliant
- Low Leakage Current
- Micro-USB Connector
- Class B EMI
- CC/CV for Battery Charging

Applications

- Wireless Communications
- Networking
- Portable Equipment
- Peripherals

Safety Approvals

- cUL/UL
- SAA
- CE
- C-Tick

Mechanical Characteristics

- Length: 71.7mm (2.82in)
- Width: 45mm (1.77in)
- Height: 29.79mm (1.17in)
- Weight: 120g (4.23oz)

Output Specifications

Model	DC Output Voltage	Load		Ripple ⁽¹⁾ P-P (max.)	Output Power	Efficiency Level
		Min.	Max.			
PSAC09R-050	5V	0A	1.8A	100mV	9W	V

(1) Measured with by-pass capacitors 0.1uF/10uF at output connector terminal and oscilloscope set at 20MHz.

- Interchangeable clips sold separately.

Phihong is not responsible for any error, and reserves the right to make changes without notice. Please visit our website at www.phihong.com for the most up-to-date specifications and contact information.

Input:

AC Input Voltage Rating
100 to 240V AC

AC Input Voltage Range
90 to 264V AC

AC Input Frequency
50 to 60Hz

Input Current
0.3A (RMS) maximum at 115V AC

Leakage Current
0.25mA maximum at 240V AC

Inrush Current
60A maximum at 230VAC and maximum load
(cold start at ambient 25°C)

Input Power Saving
<0.3W at 115/230V AC and no load

Output:
Efficiency
Meets Level V Efficiency Requirements

Hold-up Time
10mS minimum at 120V AC and maximum load

Over-Voltage Protection
Zener Clamping

Over Current Protection
125%, auto restart

Environmental:
Temperature
Operation 0 to 40°C
Non-operation -40 to 85°C
Humidity 5 to 90%

Emissions
FCC Class B
EN55022 Class B

Immunity
EN50082-1:
EN61000-4-2 Level 4
EN61000-4-5

Insulation Resistance
Primary to Secondary: 100M ohm, 500V DC

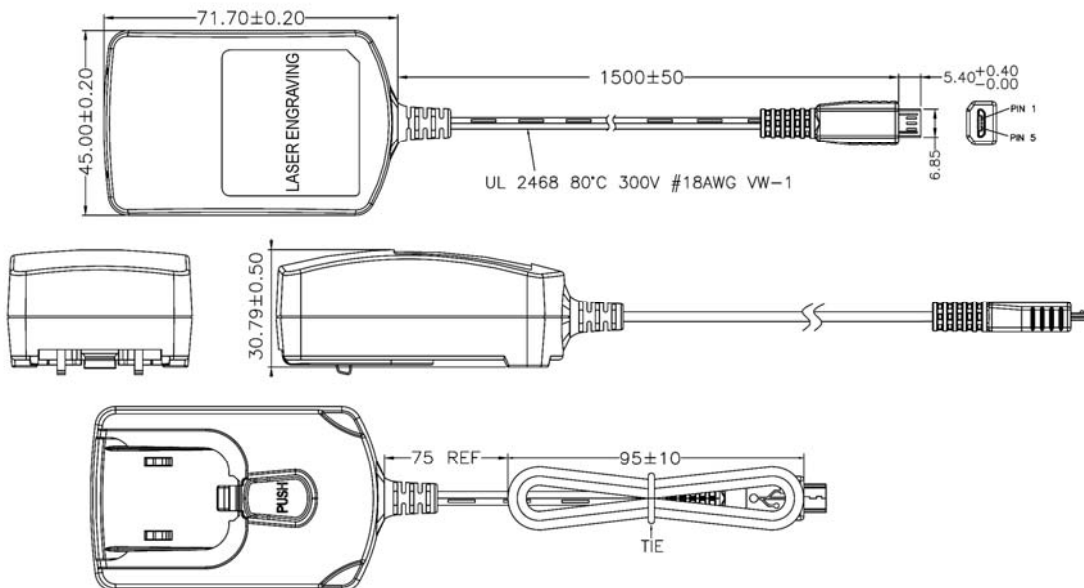
MTBF
100K hours minimum at maximum load, 240V AC

Dielectric Withstand (Hi-pot) Test
Primary to Secondary: 3000V AC for 1 min., 10mA

DC Output Connector
Micro USB

Interchangeable Clips (sold separately)
RPA: N. America RPI: India
PRB: Brazil RPK: UK
RPC: China RPN: Argentina
RPE: Europe RPS: Australia
RPH: Korea RPX: IEC320 C8

Dimension Diagram Unit: mm



Mouser Electronics

Related Product Links

[552-PSAC09R-050-R - Phihong PSAC09R-050-R](#)