

PLEASE CHECK WWW.MOLEX.COM FOR LATEST PART INFORMATION

Part Number: **0751951014**
Status: **Active**
Overview: vhdm_hsd
Description: 2.00mm (.079") Pitch 6-Row VHDM® Lite Backplane Header, Left Shield End Version, 6 Row, 60 Circuits, Pin Length 5.15mm (.203")

Documents:

[Drawing \(PDF\)](#) [RoHS Certificate of Compliance \(PDF\)](#)
[Product Specification PS-74031-999 \(PDF\)](#)

General

| | |
|-------------------------------|---|
| Product Family | Backplane Connectors |
| Series | 75195 |
| Application | Backplane |
| Application Tooling Documents | Tooling Manual |
| Comments | Keying Position A |
| Component Type | PCB Header |
| Overview | vhdm_hsd |
| Product Name | VHDM Lite® |
| Style | N/A |

Physical

| | |
|--------------------------------|---|
| Circuits (Loaded) | 60 |
| Circuits (maximum) | 60 |
| Color - Resin | Black |
| Durability (mating cycles max) | 200 |
| First Mate / Last Break | No |
| Guide to Mating Part | Yes |
| Keying to Mating Part | Yes |
| Material - Metal | High Performance Alloy (HPA), Stainless Steel |
| Material - Plating Mating | Gold |
| Material - Plating Termination | Tin-Lead |
| Material - Resin | High Temperature Thermoplastic |
| Number of Columns | 10 |
| Number of Pairs | Open Pin Field |
| Number of Rows | 6 |
| Orientation | Vertical |
| PC Tail Length (in) | 0.098 In |
| PC Tail Length (mm) | 2.50 mm |
| PCB Locator | No |
| PCB Retention | Yes |
| PCB Thickness Recommended (in) | 0.071 In |
| PCB Thickness Recommended (mm) | 1.80 mm |
| Packaging Type | Tube |
| Pitch - Mating Interface (in) | 0.079 In |
| Pitch - Mating Interface (mm) | 2.00 mm |
| Pitch - Term. Interface (in) | 0.079 In |
| Pitch - Term. Interface (mm) | 2.00 mm |
| Plating min: Mating (µin) | 30 |
| Plating min: Mating (µm) | 0.75 |
| Plating min: Termination (µin) | 30 |
| Plating min: Termination (µm) | 0.75 |
| Polarized to PCB | No |
| Stackable | No |
| Surface Mount Compatible (SMC) | Yes |

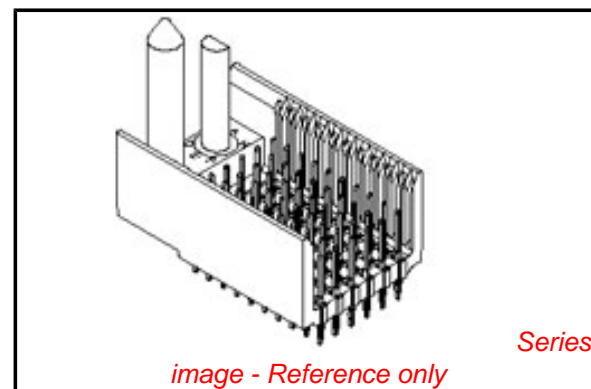


image - Reference only

EU RoHS

RoHS Compliant by Exemption
REACH SVHC
Contains SVHC: No
Halogen-Free
Status
Not Reviewed

China RoHS



Pb

Need more information on product environmental compliance?

Email productcompliance@molex.com
 For a multiple part number RoHS Certificate of Compliance, [click here](#)

Please visit the [Contact Us](#) section for any non-product compliance questions.

Search Parts in this Series

75195Series

Mates With

75189 VHDM® Lite Board-to-Board Daughtercard

Use With

Daughtercard Modules

Application Tooling | FAQ

Tooling specifications and manuals are found by selecting the products below. Crimp Height Specifications are then contained in the Application Tooling Specification document.

Global

| Description | Product # |
|---|------------|
| VHDM® Signal Pin Inserter Repair Tool | 0622015700 |
| VHDM® Insertion Module for Advanced Mate Signal Header, | 0622020207 |

Temperature Range - Operating
Termination Interface: Style

105°C
Through Hole - Compliant Pin

6 Row by 10 Wide,
20.00mm (.787")

Electrical

Current - Maximum per Contact 2A
Data Rate 622.0 Mbps
Real Signals (per 25mm) 76
Shielded No
Voltage - Maximum 120V AC (RMS)/DC

Material Info

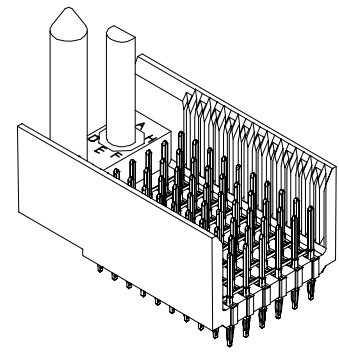
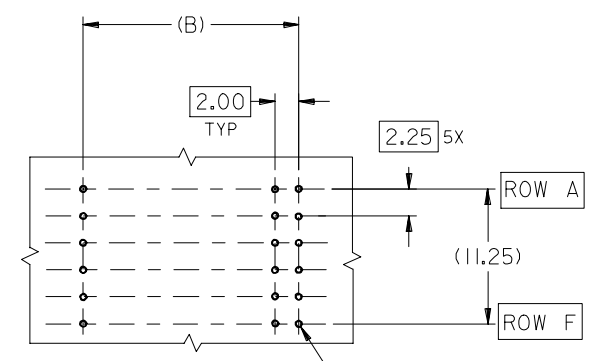
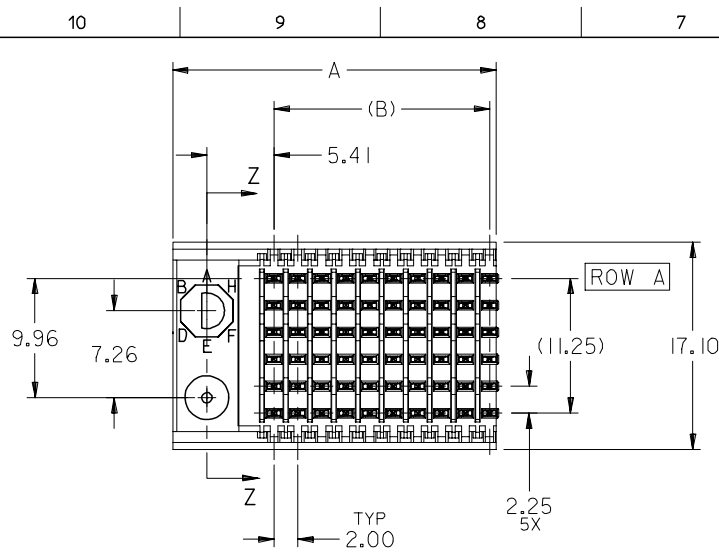
Reference - Drawing Numbers

Product Specification PS-74031-999
Sales Drawing SD-75195-001

VHDM and Very High Density Metric are trademarks of Amphenol Corporation

This document was generated on 05/28/2010

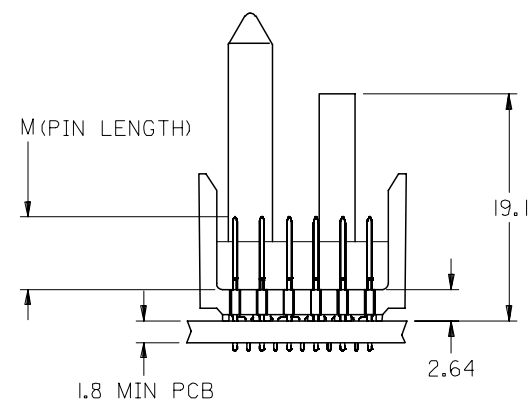
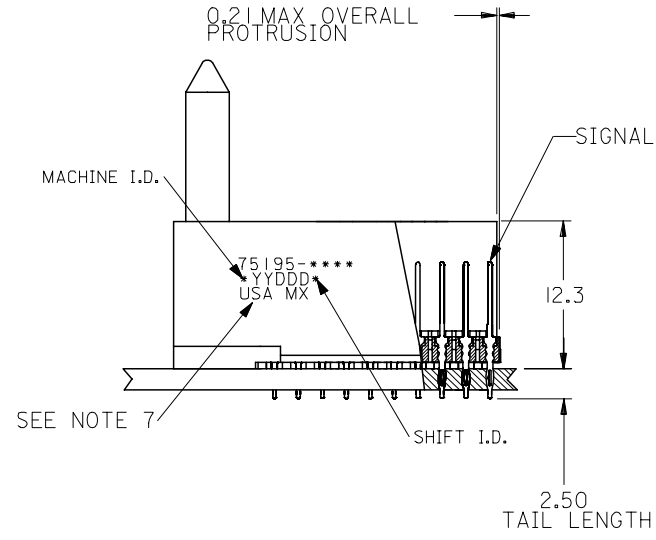
PLEASE CHECK WWW.MOLEX.COM FOR LATEST PART INFORMATION



BACKPLANE HOLE PATTERN
RECOMMENDED DIMENSIONS

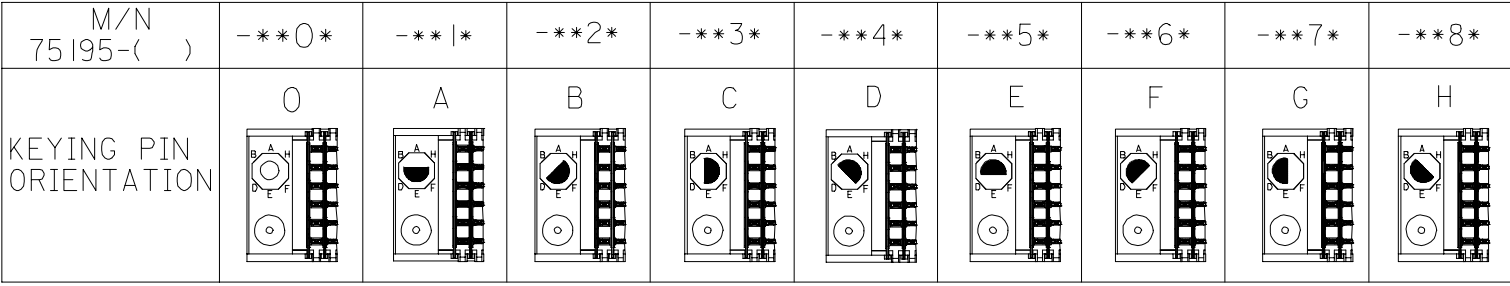
$\varnothing 0.56 \pm 0.05$ PTH
 $\varnothing 0.66$ DRILL
 $\varnothing 1.00$ PAD
 $\varnothing \varnothing 0.10$

- NOTES:
- MATERIALS:
HOUSING - LIQUID CRYSTAL POLYMER (LCP),
GLASS-FILLED, UL 94V-0, COLOR: BLACK
SIGNAL PIN - COPPER ALLOY
 - FINISHES:
CONTACT AREA: SELECTIVE GOLD (Au)
PCB TAILS: SELECTIVE TIN/LEAD (Sn/Pb)
OR SELECTIVE MATTE TIN (Sn)
NICKEL (Ni) OVERALL.
 - THIS PART CONFORMS TO MOLEX PRODUCT SPECIFICATION PS-74031-999
 - FOR MIXED CONTACT LENGTHS CONSULT MOLEX FOR AVAILABILITY
 - FOR SPECIFIC MATERIAL NUMBERS & MATING INFORMATION REFER TO SHEET 2
 - PACKAGE PER PK-74058-003
 - EITHER MARK PART WITH PART NUMBER & DATE CODE APPROXIMATELY WHERE SHOWN OR PLACE LABEL ON THE TUBE.



| | | | | | | | | | | |
|--|---|---------------------------------------|----------|--|----------------------|--|---|---------------------------|--|------------------------------------|
| ADD LEADFREE PINS EC NO: UCP2006-0059 DRWN: KMULVEY 2005/07/13 CHKD: 2005/07/13 APPR: SREED 2005/07/15 | QUALITY SYMBOLS $\nabla=0$ $\nabla=0$ | GENERAL TOLERANCES (UNLESS SPECIFIED) | | DIMENSION STYLE MM ONLY | | SCALE 2.5:1 | DESIGN UNITS METRIC | THIRD ANGLE PROJECTION | | |
| | | | mm | INCH | DRAWN BY MBANDURA | DATE 2003/01/06 | TITLE VHDM LITE 6 ROW SIGNAL END BACKPLANE SALES ASSEMBLY | | | |
| | | | 4 PLACES | ± --- | ± --- | CHECKED BY NMARTIN | | | | |
| | | | 3 PLACES | ± --- | ± --- | APPROVED BY CBIXLER | DATE 2003/01/06 | MOLEX INCORPORATED | | MATERIAL NO. SEE SHEET 2 |
| | 2 PLACES | ± --- | ± --- | DOCUMENT NO. SD-75195-001 | | SHEET NO. 1 OF 2 | | | | |
| | 1 PLACE | ± --- | ± --- | DRAFT WHERE APPLICABLE MUST REMAIN WITHIN DIMENSIONS | | THIS DRAWING CONTAINS INFORMATION THAT IS PROPRIETARY TO MOLEX INCORPORATED AND SHOULD NOT BE USED WITHOUT WRITTEN PERMISSION | | | | |

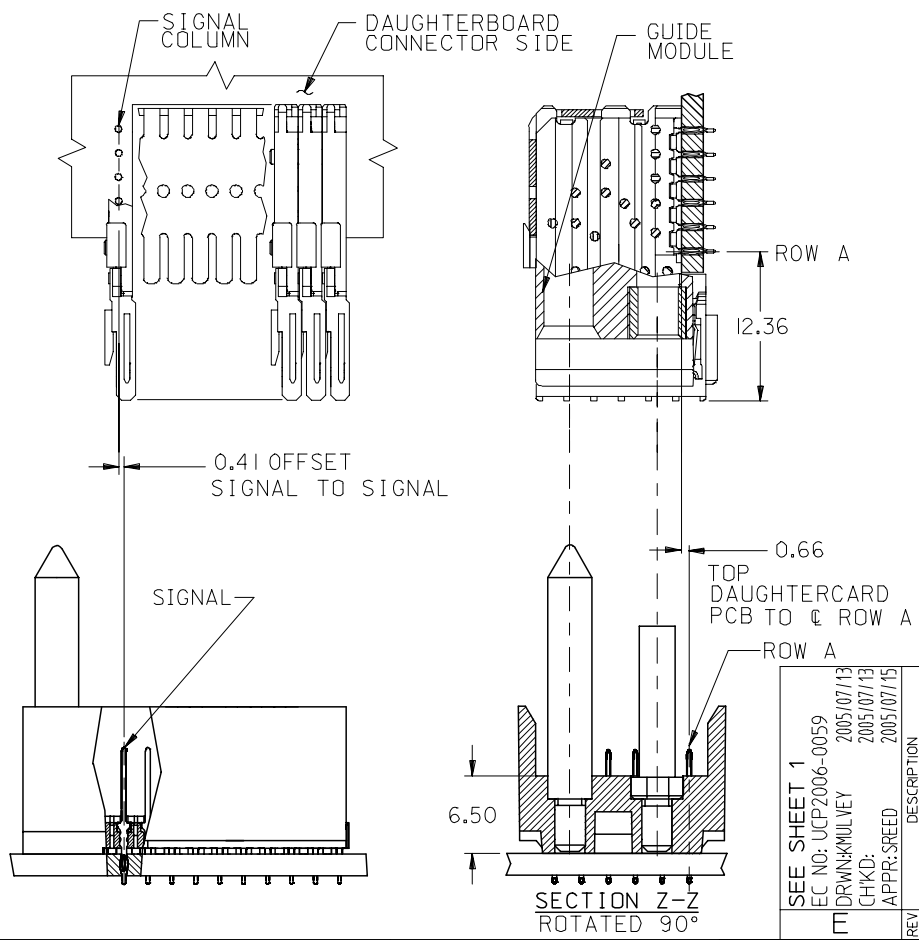
10 9 8 7 6 5 4 3 2 1



75195 * * * *

COLUMN/PLATING
 10 = 10 COLUMN TIN/LEAD
 25 = 25 COLUMN TIN/LEAD
 90 = 10 COLUMN MATTE TIN
 85 = 25 COLUMN MATTE TIN

CONTACT LOAD
 (PIN HEIGHT)
 1 = 4.75
 2 = 6.25
 3 = 4.25
 4 = 5.15



| PART NUMBER | COLUMN | NUMBER OF SIGNAL PIN | NUMBER OF SHIELD | A | B | M | Au (um) THICKNESS | Sn (um) THICKNESS |
|-------------|--------|----------------------|------------------|-------|-------|------|-------------------|-------------------|
| 75195-*0*1 | 10 | 60 | 0 | 27.00 | 18.00 | 4.75 | 0.76 | 0.76-1.52 |
| 75195-*5*1 | 25 | 150 | 0 | 57.00 | 48.00 | | --- | |
| 75195-*0*2 | 10 | 60 | 0 | 27.00 | 18.00 | 6.25 | 0.76 | |
| 75195-*5*2 | 25 | 150 | 0 | 57.00 | 48.00 | | --- | |
| 75195-*0*3 | 10 | 60 | 0 | 27.00 | 18.00 | 4.25 | 0.76 | |
| 75195-*5*3 | 25 | 150 | 0 | 57.00 | 48.00 | | --- | |
| 75195-*0*4 | 10 | 60 | 0 | 27.00 | 18.00 | 5.15 | 0.76 | |
| 75195-*5*4 | 25 | 150 | 0 | 57.00 | 48.00 | | --- | |

ib_frame_B_P_ME_T
Rev. D 2004/04/02

SEE SHEET 1
 EC NO: UCP2006-0059
 DRW: KMK/MLV
 CHKD: 2005/07/13
 APPR: SREED
 2005/07/15

| QUALITY SYMBOLS $\nabla=0$ $\nabla=0$ | GENERAL TOLERANCES (UNLESS SPECIFIED) | DIMENSION STYLE MM ONLY | SCALE 2.5:1 | DESIGN UNITS METRIC | THIRD ANGLE PROJECTION | | | | | | | | | | | | | | | | | | | | | | | | | | |
|--|---|----------------------------|------------------------------|------------------------|------------------------|-------|-------|----------|-------|-------|----------|-------|-------|---------|-------|-------|--|----------|------|----------|------------|------------|------|---------|------------|-------------|------|---------|------------|--|--|
| | <table border="1"> <thead> <tr> <th></th> <th>mm</th> <th>INCH</th> </tr> </thead> <tbody> <tr> <td>4 PLACES</td> <td>± ---</td> <td>± ---</td> </tr> <tr> <td>3 PLACES</td> <td>± ---</td> <td>± ---</td> </tr> <tr> <td>2 PLACES</td> <td>± ---</td> <td>± ---</td> </tr> <tr> <td>1 PLACE</td> <td>± ---</td> <td>± ---</td> </tr> </tbody> </table> | | mm | INCH | 4 PLACES | ± --- | ± --- | 3 PLACES | ± --- | ± --- | 2 PLACES | ± --- | ± --- | 1 PLACE | ± --- | ± --- | <table border="1"> <thead> <tr> <th>DRAWN BY</th> <th>DATE</th> </tr> </thead> <tbody> <tr> <td>MBANDURA</td> <td>2003/01/06</td> </tr> <tr> <th>CHECKED BY</th> <th>DATE</th> </tr> <tr> <td>NMARTIN</td> <td>2003/01/06</td> </tr> <tr> <th>APPROVED BY</th> <th>DATE</th> </tr> <tr> <td>CBIXLER</td> <td>2003/01/06</td> </tr> </tbody> </table> | DRAWN BY | DATE | MBANDURA | 2003/01/06 | CHECKED BY | DATE | NMARTIN | 2003/01/06 | APPROVED BY | DATE | CBIXLER | 2003/01/06 | TITLE VHDM LITE 6 ROW SIGNAL END BACKPLANE SALES ASSEMBLY | |
| | mm | INCH | | | | | | | | | | | | | | | | | | | | | | | | | | | | | |
| 4 PLACES | ± --- | ± --- | | | | | | | | | | | | | | | | | | | | | | | | | | | | | |
| 3 PLACES | ± --- | ± --- | | | | | | | | | | | | | | | | | | | | | | | | | | | | | |
| 2 PLACES | ± --- | ± --- | | | | | | | | | | | | | | | | | | | | | | | | | | | | | |
| 1 PLACE | ± --- | ± --- | | | | | | | | | | | | | | | | | | | | | | | | | | | | | |
| DRAWN BY | DATE | | | | | | | | | | | | | | | | | | | | | | | | | | | | | | |
| MBANDURA | 2003/01/06 | | | | | | | | | | | | | | | | | | | | | | | | | | | | | | |
| CHECKED BY | DATE | | | | | | | | | | | | | | | | | | | | | | | | | | | | | | |
| NMARTIN | 2003/01/06 | | | | | | | | | | | | | | | | | | | | | | | | | | | | | | |
| APPROVED BY | DATE | | | | | | | | | | | | | | | | | | | | | | | | | | | | | | |
| CBIXLER | 2003/01/06 | | | | | | | | | | | | | | | | | | | | | | | | | | | | | | |
| DRAFT WHERE APPLICABLE MUST REMAIN WITHIN DIMENSIONS | | MATERIAL NO. SEE CHART | DOCUMENT NO. SD-75195-001 | SHEET NO. 2 OF 2 | | | | | | | | | | | | | | | | | | | | | | | | | | | |

THIS DRAWING CONTAINS INFORMATION THAT IS PROPRIETARY TO MOLEX INCORPORATED AND SHOULD NOT BE USED WITHOUT WRITTEN PERMISSION