

PLEASE CHECK WWW.MOLEX.COM FOR LATEST PART INFORMATION

Part Number: [0876071011](#)
Status: **Active**
Overview: [extreme powerplus ssi](#)
Description: 6.35mm (.250") Pitch, Power, 2.54mm (.100") Pitch, Signal, EXTreme PowerPlus™ (SSI) DPS Receptacle, Through Hole, Right Angle, Screw Mount, 26 Circuits, Power Beta 1, Signal 24, Power Alpha 1, Lead-free

Documents:

[3D Model](#) [Product Specification PS-87606-002 \(PDF\)](#)
[Drawing \(PDF\)](#) [RoHS Certificate of Compliance \(PDF\)](#)

General

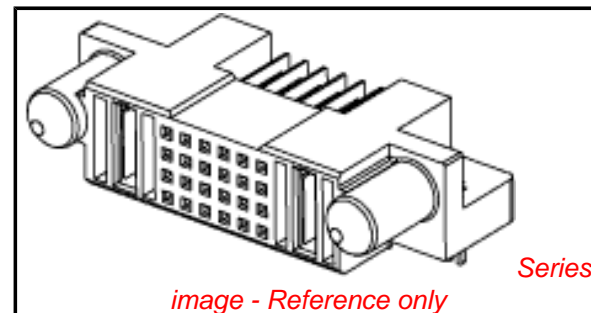
Product Family	PCB Receptacles
Series	87607
Application	Board-to-Board
Comments	Standard Power Blade Position: A1, B1
Overview	extreme powerplus ssi
Product Name	EXTreme PowerPlus™

Physical

Circuits (Loaded)	26
Circuits Detail	Power Beta 1, Signal 24, Power Alpha 1
Color - Resin	Black
Durability (mating cycles max)	100
Glow-Wire Compliant	No
Guide to Mating Part	Yes
Lock to Mating Part	None
Material - Metal	High Performance Alloy (HPA), Phosphor Bronze
Material - Plating Mating	Gold
Material - Plating Termination	Tin
Material - Resin	High Temperature Thermoplastic
Number of Rows	4
Orientation	Right Angle
PC Tail Length (in)	0.137 In
PC Tail Length (mm)	3.49 mm
PCB Locator	No
PCB Retention	Yes
PCB Thickness Recommended (in)	0.093 In
PCB Thickness Recommended (mm)	2.40 mm
Packaging Type	Tray
Pitch - Mating Interface (in)	0.100 In, 0.250 In
Pitch - Mating Interface (mm)	2.54 mm, 6.35 mm
Plating min: Mating (µin)	30.4
Plating min: Mating (µm)	0.76
Plating min: Termination (µin)	101.6
Plating min: Termination (µm)	2.54
Polarized to Mating Part	Yes
Polarized to PCB	Yes
Surface Mount Compatible (SMC)	No
Temperature Range - Operating	-20°C to +105°C
Termination Interface: Style	Through Hole

Electrical

Current - Maximum per Contact	2.5A, 30A
Voltage - Maximum	50V



EU RoHS

ELV and RoHS Compliant

REACH SVHC

Not Reviewed

Halogen-Free

Status

Halogen-Free

China RoHS



Need more information on product environmental compliance?

Email productcompliance@molex.com
 For a multiple part number RoHS Certificate of Compliance, [click here](#)

Please visit the [Contact Us](#) section for any non-product compliance questions.

Search Parts in this Series

[87607Series](#)

Mates With

[87606](#) EXTreme PowerPlus™ (SSI) DPS Header

Solder Process Data

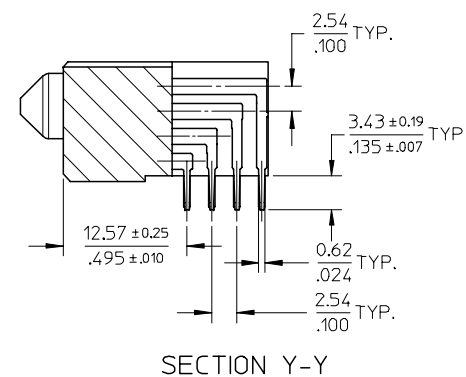
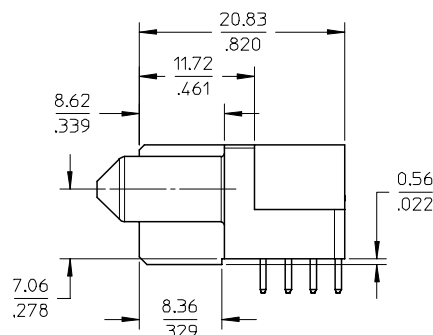
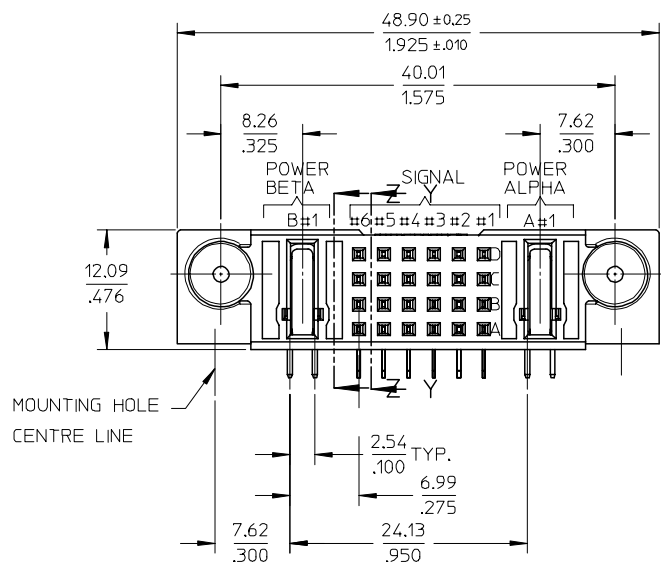
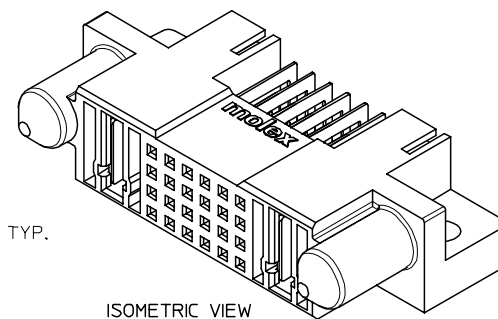
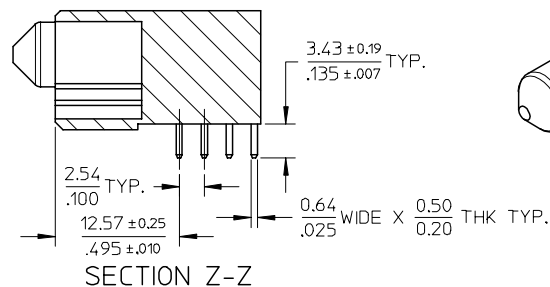
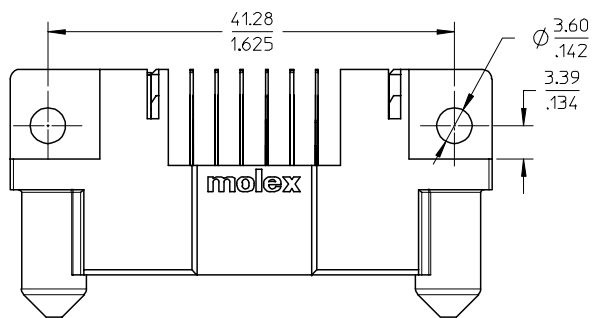
Duration at Max. Process Temperature (seconds)	10
Lead-free Process Capability	SMC & Wave Capable (TH only)
Max. Cycles at Max. Process Temperature	3
Process Temperature max. C	260

Material Info**Reference - Drawing Numbers**

Application Specification	AS-87631-018
Product Specification	PS-87606-002
Sales Drawing	SD-87607-017

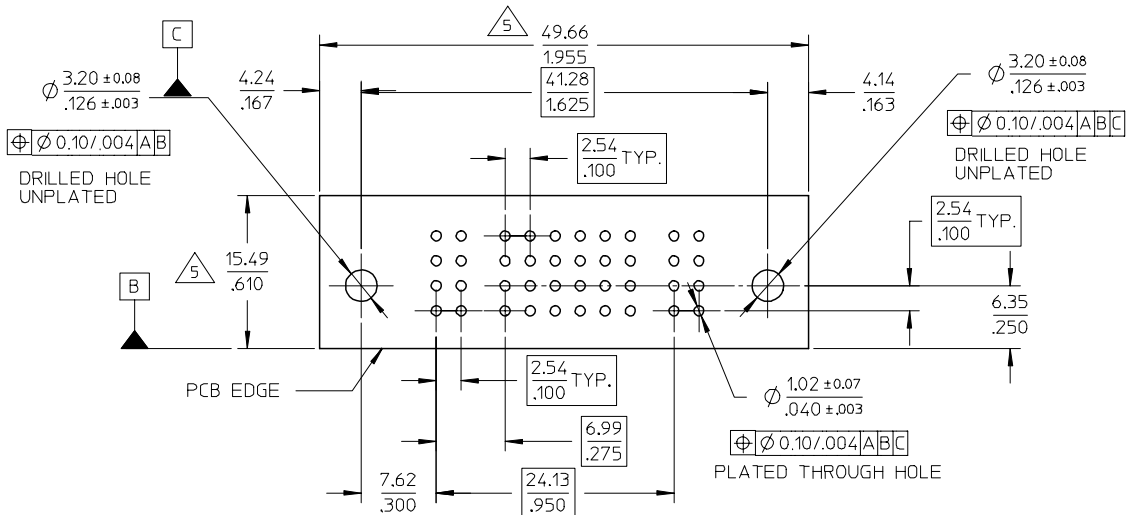
This document was generated on 05/21/2010

PLEASE CHECK WWW.MOLEX.COM FOR LATEST PART INFORMATION



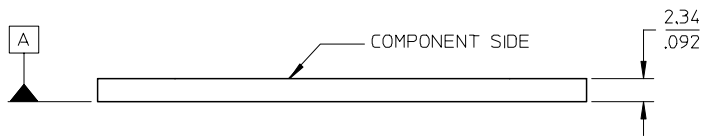
REVISED EC NO: S2007-0873 DRWN:SKANG CHKD:GEMARLY APPR:MLONG	2007/04/11 2007/04/11 2007/04/12	QUALITY SYMBOLS ▽=0 ▽=0	GENERAL TOLERANCES (UNLESS SPECIFIED)		DIMENSION STYLE	SCALE	DESIGN UNITS	THIRD ANGLE PROJECTION			
			mm	INCH	MM/IN	NTS	METRIC				
			4 PLACES	± ---	± ---	DRAWN BY	DATE	TITLE			
			3 PLACES	± ---	± .005	KMGOH	2003/12/04	DPS,PWR CONNECTOR RECPT. P-S-P CONFIGURATION R/A, T/H, SCREW MOUNT			
			2 PLACES	± 0.13	± .010	PTL IM	2004/03/09	MOLEX INCORPORATED			
			1 PLACE	± 0.25	± ---	APPROVED BY	DATE	MOLEX INCORPORATED			
			ANGULAR ± 3 °		SKTOH	2004/03/17	MOLEX INCORPORATED				
			DRAFT WHERE APPLICABLE MUST REMAIN WITHIN DIMENSIONS		MATERIAL NO.	DOCUMENT NO.		SHEET NO.			
					SEE TABLE	SD-87607-017		1 OF 2			
					SIZE	THIS DRAWING CONTAINS INFORMATION THAT IS PROPRIETARY TO MOLEX INCORPORATED AND SHOULD NOT BE USED WITHOUT WRITTEN PERMISSION					
					A3						

10	9	8	7	6	5	4	3	2	1
PART NUMBER	PART STATUS	PACKAGING							
87607-1011	TOOLED	TRAY							



NOTES:

- MATERIALS : HOUSING - LCP, GLASS FILLED, UL94V-0, COLOR: BLACK
POWER PINS - COPPER ALLOY
SIGNAL PINS - COPPER ALLOY
- FINISHES: POWER AD SIGNAL PINS
SELECTIVE GOLD IN THE CONTACT AREA
THICKNESS = 0.76 MICROMETER / 30 MICROINCH MINIMUM
SELECTIVE TIN ALLOY IN THE PC TAIL AREA
THICKNESS = 2.54 MICROMETER / 100 MICROINCH MINIMUM
1.27um MINIMUM NICKEL OVERALL UNDERPLATE.
- PRODUCT SPECIFICATIONS : PS-87606-002
- SEE SHEET 2 FOR RECOMMENDED PCB LAYOUT AND THICKNESS
- COMPONENT STAY AWAY ZONE FROM CONNECTOR



REVISED EC NO: S2007-0873 2007/04/11 DRWNS:KANG 2007/04/11 CHKD:GEMARLY 2007/04/12 APPR:MLONG	QUALITY SYMBOLS	GENERAL TOLERANCES (UNLESS SPECIFIED)		DIMENSION STYLE	SCALE	DESIGN UNITS	THIRD ANGLE PROJECTION
	▽=0 ∇=0	mm	INCH	MM/IN	NTS	METRIC	
		4 PLACES ± ---	± ---	DRAWN BY	DATE	TITLE	
		3 PLACES ± ---	± .005	KMGOH	2003/12/04	DPS,PWR CONNECTOR RECPT. P-S-P CONFIGURATION R/A, T/H, SCREW MOUNT	
	2 PLACES ± 0.13	± .010	PTL IM	2004/03/09	MOLEX INCORPORATED		
	1 PLACE ± 0.25	± ---	ANGULAR ± 3 °	APPROVED BY	DATE	DOCUMENT NO.	SHEET NO.
			DRAFT WHERE APPLICABLE MUST REMAIN WITHIN DIMENSIONS	SKTOH	2004/03/17	SD-87607-017	2 OF 2
				MATERIAL NO.			
				SIZE	THIS DRAWING CONTAINS INFORMATION THAT IS PROPRIETARY TO MOLEX INCORPORATED AND SHOULD NOT BE USED WITHOUT WRITTEN PERMISSION		