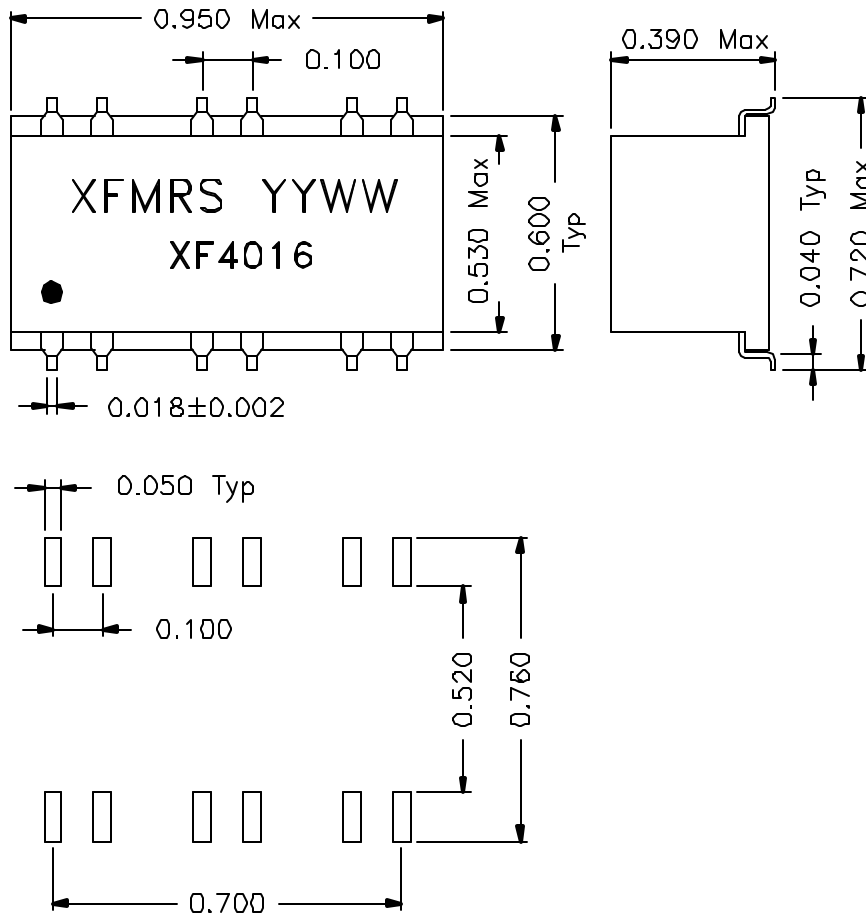
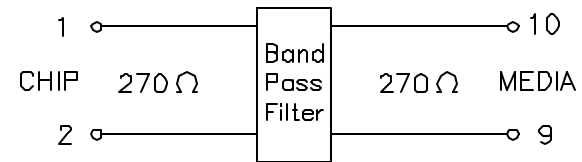


### 1. Dimensions:



SUGGESTED PCB LAYOUT

### 2. Schematic:



### 3. Electrical Specifications: @25°C

Passband: @900KHz-3MHz  
 Insertion Loss: 1.2dB Max @900KHz-3MHz  
 Return Loss: 12dB Min @900KHz-3MHz  
 Stopband: 4.5-7.9MHz  
 Attenuation @50dB Min

**PRELIMINARY**

DOC REV: A/1

THIS DOCUMENT IS STRICTLY NOT ALLOWED TO BE DUPLICATED WITHOUT AUTHORIZATION

<b>XFMRS INC.</b>	Title: ISDN/POTS SPLITTER	
	P/N: XF4016	REV. A
UNLESS OTHERWISE SPECIFIED TOLERANCES: .xxx ±0.010 Inch Dimensions in Inch/mm	DWN.	廖玉坤 Sep-27-00
	CHK.	李清儿 Sep-27-00
	APP.	Joe Huff Sep-27-00

SCALE 2:1 SHT 1 OF 1