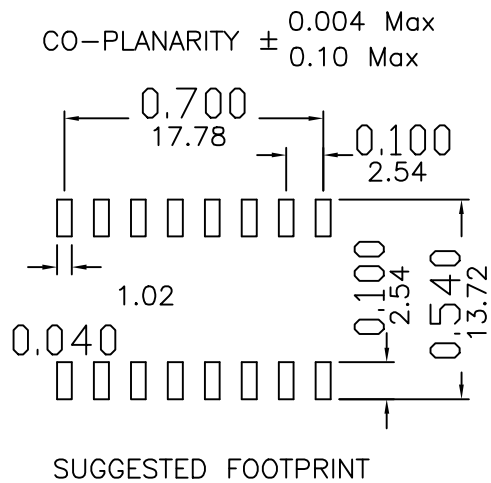
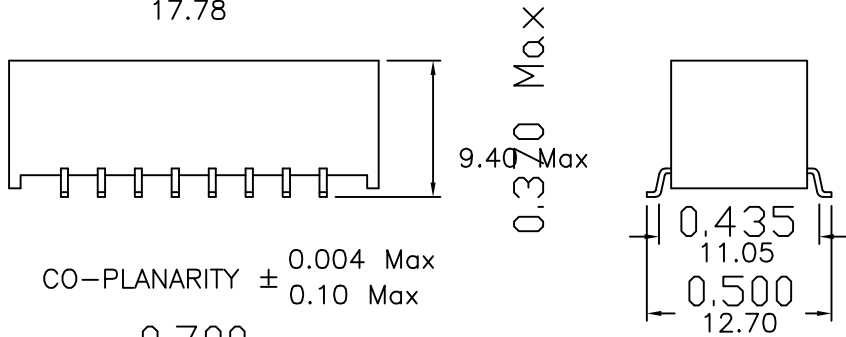
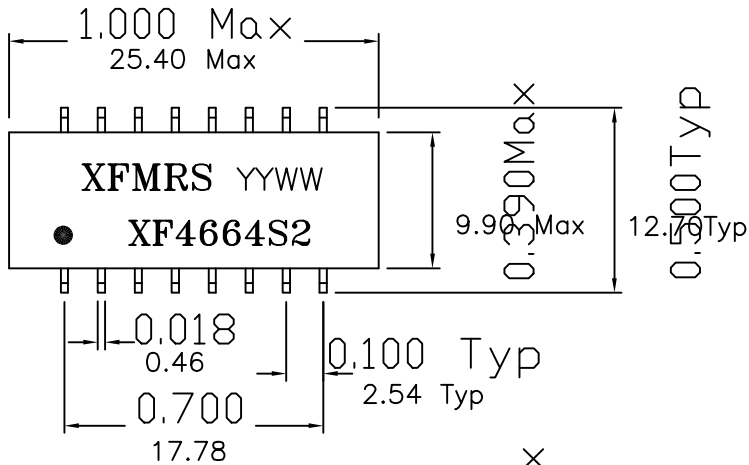
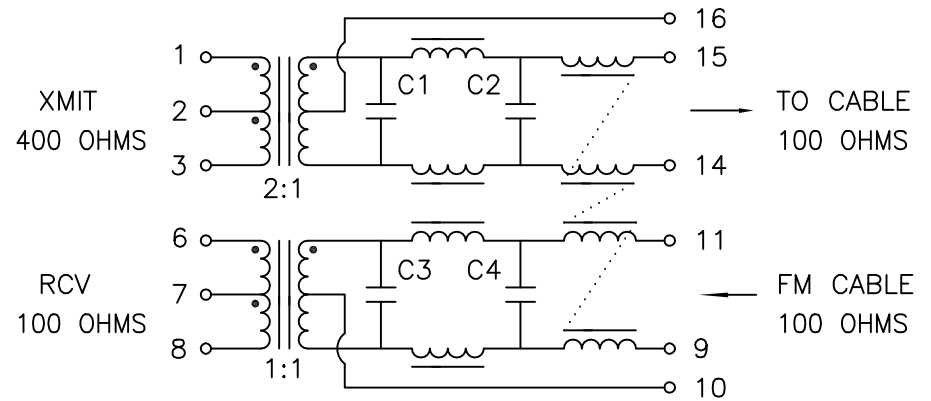


### 1. Dimensions:



### 2. Schematic:



### 3. Electrical Specifications: @25°C

CUT-OFF FREQ.: 17MHz  $\pm$  1.5MHz

Insertion Loss (1-10MHz): 1.0dB Maximum

Return Loss (5-10MHz): 15dB Minimum

ATTENUATION:

@25MHz: 5dB Minimum

@30MHz: 10dB Minimum

@40MHz: 16dB Minimum

Common Mode Rejection: 30dB Minimum @1-100MHz

Cross Talk Attenuation: 30dB Minimum @1-10MHz

HYPOT: 1500 Vrms (Input to Output)

HYPOT: 200 Vrms 1 Minute (XMIT to RCV)

<b>XFMR INC.</b>	Title: FIBER TO 10 BASE-T FILTER	
	UNLESS OTHERWISE SPECIFIED TOLERANCES: .xxx $\pm$ 0.010 Inch Dimensions in Inch/mm	P/N: XF4664S2 REV. A
DWN.	李小锋	May-31-02
CHK.	廖玉坤	May-31-02
APP.	Phil C	May-31-02