

PLEASE CHECK WWW.MOLEX.COM FOR LATEST PART INFORMATION

Part Number: [0552170671](#)
Status: **Active**
Description: 0.80mm (.031") Pitch Flat Cable Plug, Vertical, 60 Circuits

Documents:

[Drawing \(PDF\)](#) [RoHS Certificate of Compliance \(PDF\)](#)
[Product Specification PS-54373-003 \(PDF\)](#)

General

Product Family	Ribbon Cable / Wire Trap Connectors
Series	55217
Component Type	Housing
Glow-Wire Compliant	No
Product Name	N/A

Physical

Circuits (Loaded)	60
Color - Resin	Black
Durability (mating cycles max)	50
Entry Angle	Vertical
Lock to Mating Part	Yes
Material - Metal	Phosphor Bronze
Material - Plating Mating	Gold
Material - Plating Termination	Tin
Material - Resin	Polyester
Number of Rows	2
PCB Retention	None
Packaging Type	Tray
Pitch - Mating Interface (in)	0.031 In
Pitch - Mating Interface (mm)	0.80 mm
Plating min: Mating (µin)	8
Plating min: Mating (µm)	0.2
Plating min: Termination (µin)	80
Plating min: Termination (µm)	2
Polarized to Mating Part	Yes
Stackable	No
Surface Mount Compatible (SMC)	N/A
Temperature Range - Operating	-20°C to +60°C
Termination Interface: Style	IDT or Pierce
Wire Insulation Diameter	0.30mm (.012")
Wire Size AWG	30+30
Wire/Cable Type	Ribbon Cable

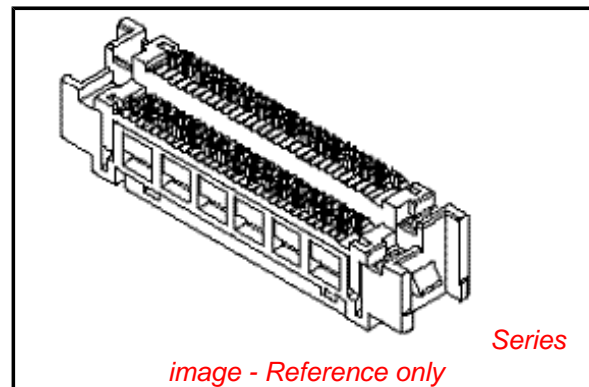
Electrical

Current - Maximum per Contact	0.4A
Voltage - Maximum	100V

Material Info

Reference - Drawing Numbers

Product Specification	PS-54373-003, RPS-54373-009
Sales Drawing	SD-55218-004



EU RoHS

**ELV and RoHS
Compliant**
**REACH SVHC
Contains SVHC: No
Halogen-Free
Status**

China RoHS



**Need more information on product
environmental compliance?**

Email productcompliance@molex.com
 For a multiple part number RoHS Certificate of Compliance, [click here](#)

Please visit the [Contact Us](#) section for any non-product compliance questions.

Search Parts in this Series

[55217Series](#)

Mates With

[54373](#)

Use With

[55215](#) Upper Housing, [55216](#) Strain Relief

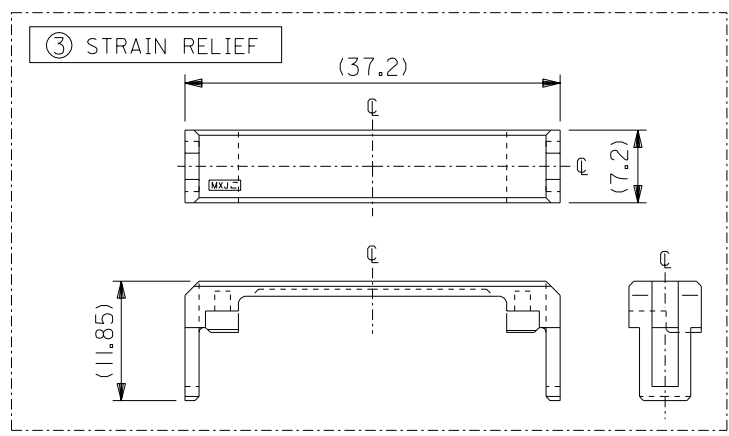
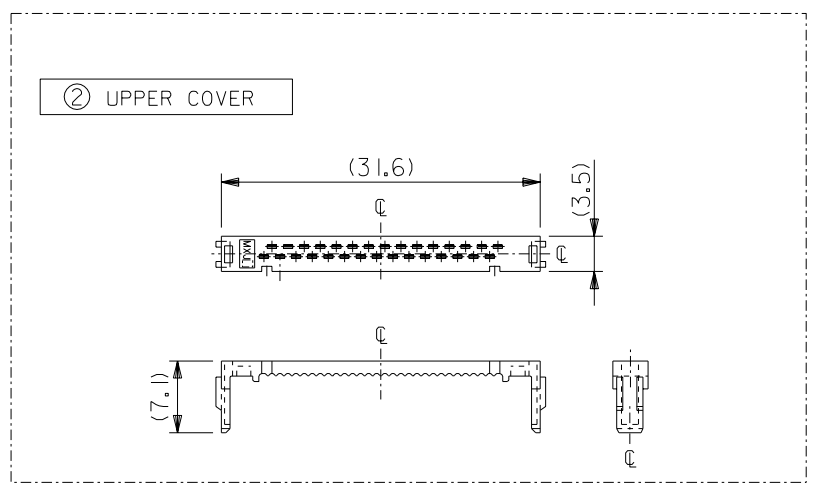
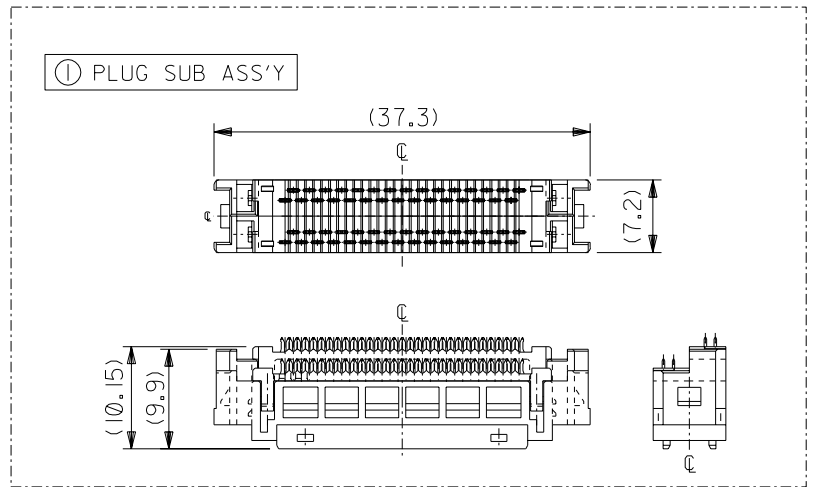
DWG. NO. SD-55218-003

NOTES

I. PARTS LIST:

NO.	PART NAME	ENG. NO.	QUAN.	MATERIAL	COLOR
①	PLUG SUB ASS'Y	55217-0671	1	PLUG HS'G: PBT ,G.F.35% ,UL94V-0	BLACK
				LOWER COVER: PBT ,G.F.35% ,UL94V-0	BLACK
				TERMINAL: PHOSPHOR BRONZE PLATING SPEC.: GOLD 0.2μm MIN.,TIN 1.0μm MIN.,Ni 2.0μm MIN.	—#—
②	UPPER COVER	55215-0601	2	PPS ,G.F.40% ,UL94V-0	BLACK
③	STRAIN RELIEF	55216-0601	1	46NYLON ,G.F.30% ,UL94V-0	BLACK

- 適用電線:
日立電線(株)製 フラットエース・スタレタイプ(ピッチ:0.8mm)ケーブル
HITACHI DENSEN NO. :UL20028-ST P=0.8
[UL20028-ST 30x30AWG (7/0.102) P=0.8]
MOLEX NO. :58605-0600
- 適用圧接治工具:
日本モレックス(株)製指定治工具
- 適用リセプタクル: 0.8mm ピッチ ストレート リセプタクル
MOLEX NO. :54373-0601,54373-0606(LEAD FREE)
- 本製品は 55217-0601 の鉛フリー品である。
THIS PRODUCT IS LEAD FREE OF 55217-0601

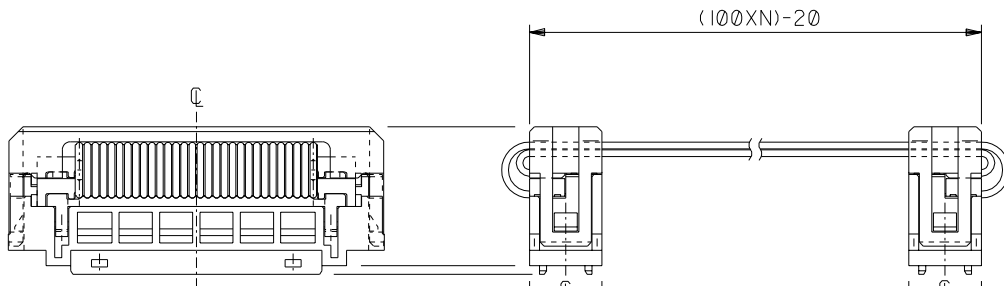


DO NOT SCALE DRAWING

EC NO. DRWN: CHK: APPR:	EC NO. DRWN: CHK: APPR:	EC NO. DRWN: CHK: APPR:	EC NO. DRWN: CHK: APPR:	EC NO. DRWN: CHK: APPR:	RELEASED 04/3/4 EC NO. J-2004-2855 DRWN: H. SHIMABUKURO CHK: K. TOJO APPR: M. SASAO	MATERIAL 材料 SEE NOTES	GENERAL TOLERANCES: (UNLESS SPECIFIED) 一般公差	SCALE #	DESIGN UNITS <input checked="" type="checkbox"/> mm <input type="checkbox"/> INCH	<input checked="" type="checkbox"/> THIRD ANGLE <input type="checkbox"/> PROJECTION	DIMENSIONS: <input type="checkbox"/> mm <input type="checkbox"/> INCH <input checked="" type="checkbox"/> mm ONLY	SHT REV
					FINISH 仕上げ #	WIRE RANGE 適用電線被覆範囲 SEE NOTES	10 UNDER 未満 ±0.2 10 OVER 30 UNDER 未満 ±0.25 30 OVER 以上 ±0.3	DRAWN BY & DATE H. SHIMABUKURO '04/3/4	CHECKED BY & DATE K. TOJO '04/3/4	APPROVED BY & DATE M. SASAO '04/3/4	TITLE: -LEAD FREE- 0.8 PITCH WIRE TO BOARD CONNECTOR	MOLEX MOLEX INCORPORATED
					INS. RANGE 被覆外径 SEE NOTES	ANGLE 角度 #	CAD FILENAME 55218003.S01	MATERIAL NO. SEE CHART	DRAWING NO. SD-55218-003	SHEET NO. 1 OF 2	THIS DRAWING CONTAINS INFORMATION THAT IS PROPRIETARY TO MOLEX INCORPORATED AND SHOULD NOT BE USED WITHOUT WRITTEN PERMISSION.	SIZE B

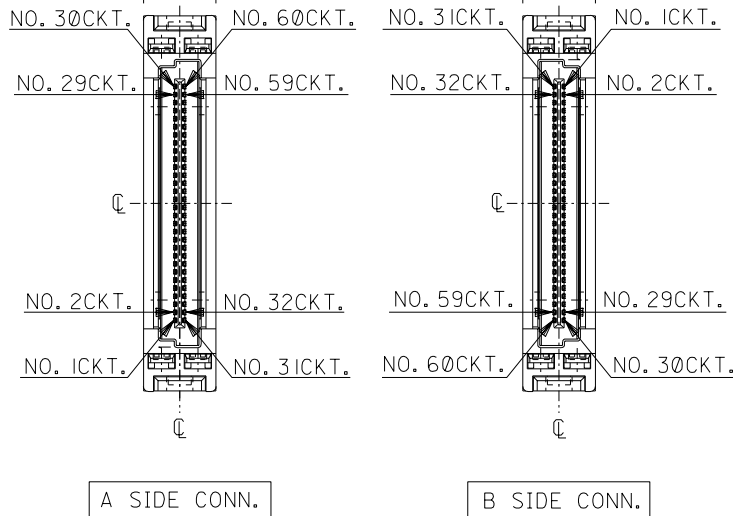
55218-0671	55218-06**
MATERIAL NO.	MODEL NO.
DIMENSIONS:	SHT REV
	REVISE ON CAD ONLY

SD-55218003.S01

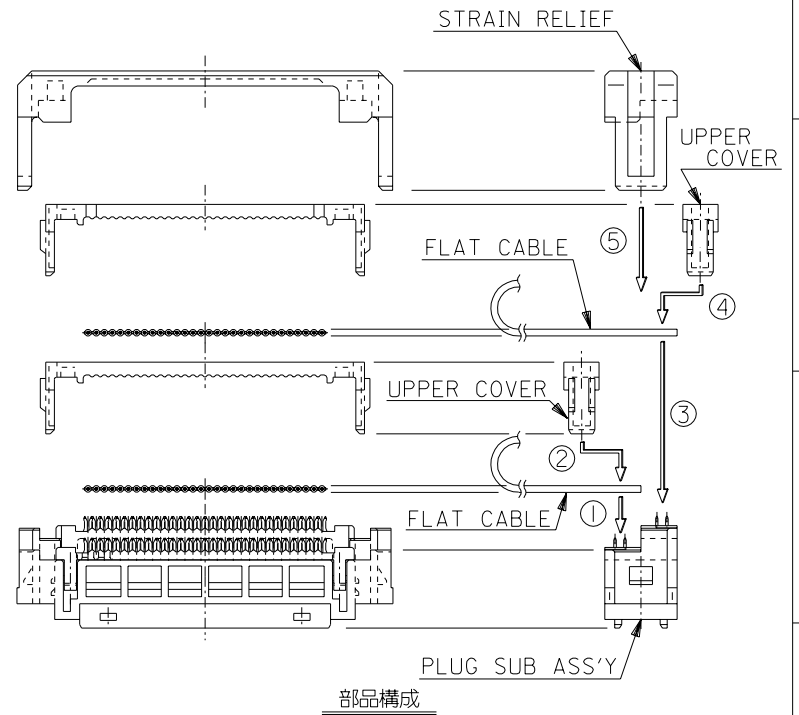


PIN ASSIGN

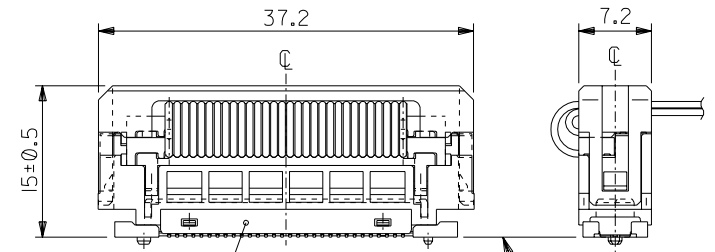
A SIDE CONN.	B SIDE CONN.	A SIDE CONN.	B SIDE CONN.
1	30	31	60
2	29	32	59
3	28	33	58
4	27	34	57
5	26	35	56
6	25	36	55
7	24	37	54
8	23	38	53
9	22	39	52
10	21	40	51
11	20	41	50
12	19	42	49
13	18	43	48
14	17	44	47
15	16	45	46
16	15	46	45
17	14	47	44
18	13	48	43
19	12	49	42
20	11	50	41
21	10	51	40
22	9	52	39
23	8	53	38
24	7	54	37
25	6	55	36
26	5	56	35
27	4	57	34
28	3	58	33
29	2	59	32
30	1	60	31



接続図



部品構成



REC. HS'G ASS'Y
54373-060*

嵌合図

プリント基板面

EC NO.	DRWN:	CHK:	APPR:	EC NO.	DRWN:	CHK:	APPR:	EC NO.	DRWN:	CHK:	APPR:	EC NO.	DRWN:	CHK:	APPR:	EC NO.	DRWN:	CHK:	APPR:
												0							

DESCRIPTION	MATERIAL 材料	FINISH 仕上げ	WIRE RANGE 適用配線範囲	INS. RANGE 被覆外径
	—	—	—	—

GENERAL TOLERANCES: (UNLESS SPECIFIED) 一般公差	SCALE	DESIGN UNITS	THIRD ANGLE PROJECTION
10 UNDER 未満 ±0.2	—	<input checked="" type="checkbox"/> mm <input type="checkbox"/> INCH	<input checked="" type="radio"/> THIRD ANGLE <input type="radio"/> FIRST ANGLE
10 OVER 30 UNDER 未満 ±0.25			
30 OVER 以上 ±0.3			
ANGLE 角度 ±3°			

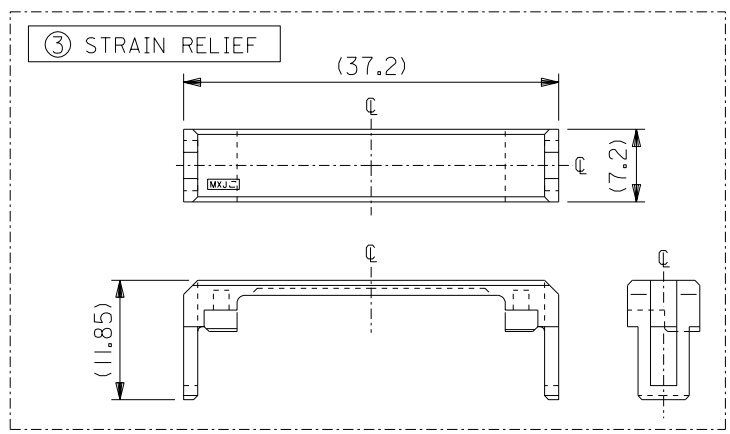
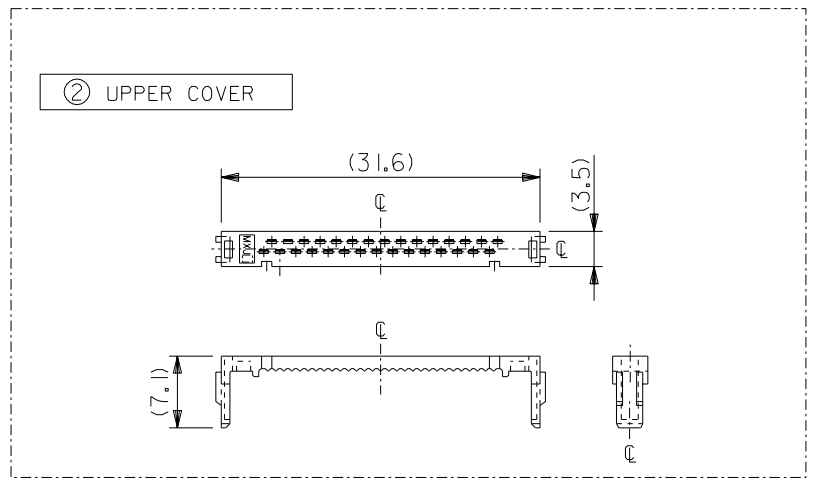
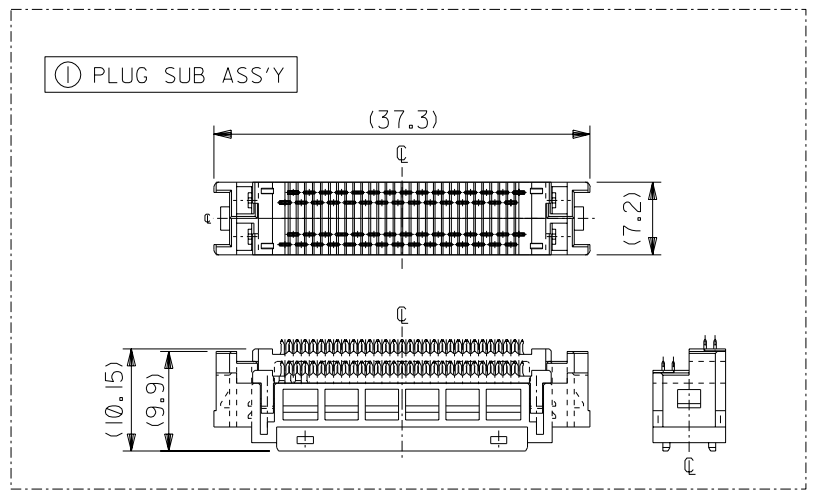
DRAWN BY & DATE	CHECKED BY & DATE	APPROVED BY & DATE	CAD FILENAME
H.SHIMABUKURO '04/3/4	K.TOJO	M.SASAO	55218003.S02

55218-06**	MODEL NO.
55218-06**	MODEL NO.
TITLE: -LEAD FREE- 0.8 PITCH WIRE TO BOARD CONNECTOR	
MOLEX MOLEX INCORPORATED	
MATERIAL NO. SEE CHART	DRAWING NO. SD-55218-003
	SHEET NO. 2

THIS DRAWING CONTAINS INFORMATION THAT IS PROPRIETARY TO MOLEX INCORPORATED AND SHOULD NOT BE USED WITHOUT WRITTEN PERMISSION.

SIZE B

DWG. NO. SD-55218-004



NOTES

1. PARTS LIST:

NO.	PART NAME	ENG. NO.	QUAN.	MATERIAL	COLOR
①	PLUG SUB ASS'Y	55217-0671	1	PLUG HS'G: PBT , G.F.35% , UL94V-0	BLACK
				LOWER COVER: PBT , G.F.35% , UL94V-0	BLACK
				TERMINAL: PHOSPHOR BRONZE PLATING SPEC.: AU 0.2 MICROMETER MIN. TIN 1.0 MICROMETER MIN. NICKEL 2.0 MICROMETER MIN.	—#—
②	UPPER COVER	55215-0601	2	PPS , G.F.40% , UL94V-0	BLACK
③	STRAIN RELIEF	55216-0601	1	46NYLON , G.F.30% , UL94V-0	BLACK

2. 適用電線:
日立電線(株)製 フラットエース・スタレタイプ(ピッチ:0.8mm)ケーブル
HITACHI DENSEN NO. :UL20028-ST P=0.8
[UL20028-ST 30x30AWG (7/0.102) P=0.8]
MOLEX NO. :58605-0600
3. 適用圧接治工具:
日本モレックス(株)製指定治工具
4. 適用リセブタクル: 0.8mm ピッチ ストレート リセブタクル
MOLEX NO. :54373-0601,54373-0606(LEAD FREE)
5. 本製品は55218-0601 の鉛フリー品である。
THIS PRODUCT IS LEAD FREE OF 55218-0601

55218-0671	55218-***71
MATERIAL NO.	MODEL NO.
DIMENSIONS:	
<input type="checkbox"/> mm	<input type="checkbox"/> INCH
<input type="checkbox"/> mm	<input checked="" type="checkbox"/> mm ONLY
SHT	REV
REVISE ON	CAD ONLY

DO NOT SCALE DRAWING

EC NO.	DRWN:	CH'K:	APPR:
EC NO.	DRWN:	CH'K:	APPR:
EC NO.	DRWN:	CH'K:	APPR:
EC NO.	DRWN:	CH'K:	APPR:
0	RELEASED 04/3/19	EC NO. J2004-3220	DRWN: H.SHIMABUKURO
		CH'K: K.TOJO	APPR: M.SASAO

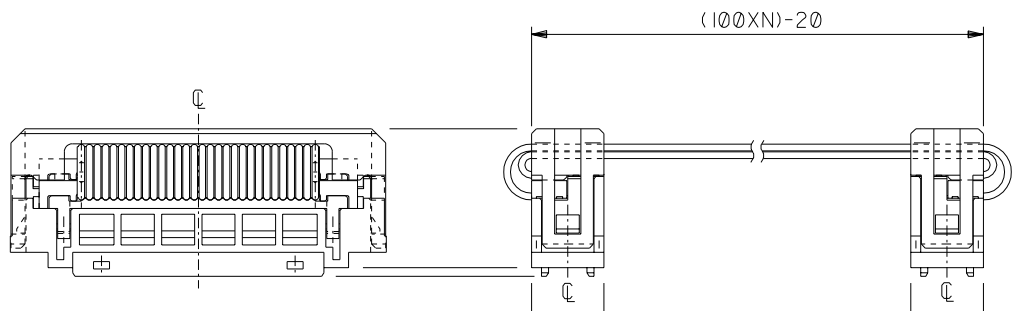
MATERIAL 材料	SEE NOTES
FINISH 仕上げ	—#—
WIRE RANGE 適用電線範囲	SEE NOTES
INS. RANGE 被覆外径	SEE NOTES

GENERAL TOLERANCES: (UNLESS SPECIFIED) 一般公差	SCALE —#	DESIGN UNITS <input checked="" type="checkbox"/> mm <input type="checkbox"/> INCH
10 UNDER 未満	±0.2	DRAWN BY & DATE: 04/3/19 H.SHIMABUKURO
10 OVER 以上 30 UNDER 未満	±0.25	CHECKED BY & DATE: K.TOJO '04/3/19
30 OVER 以上	±0.3	APPROVED BY & DATE: M.SASAO '04/3/19
ANGLE 角度	±3°	CAD FILENAME: 55218004.S01

THIRD ANGLE PROJECTION		TITLE: -LEAD FREE- 0.8 PITCH WIRE TO BOARD CONNECTOR	
MOLEX MOLEX INCORPORATED			
MATERIAL NO.	DRAWING NO.	SHEET NO.	REV
SEE CHART	SD-55218-004	1 OF 2	B
THIS DRAWING CONTAINS INFORMATION THAT IS PROPRIETARY TO MOLEX INCORPORATED AND SHOULD NOT BE USED WITHOUT WRITTEN PERMISSION.			

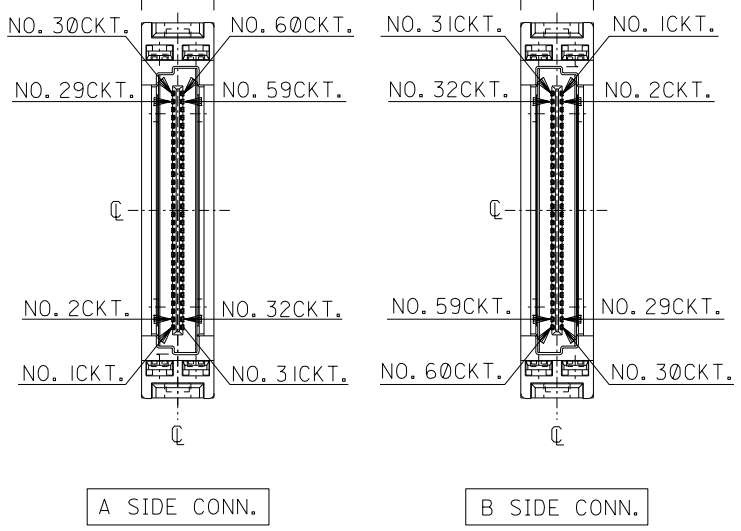
DWG. NO. SD-55218-004

8 7 6 5 4 3 2 1

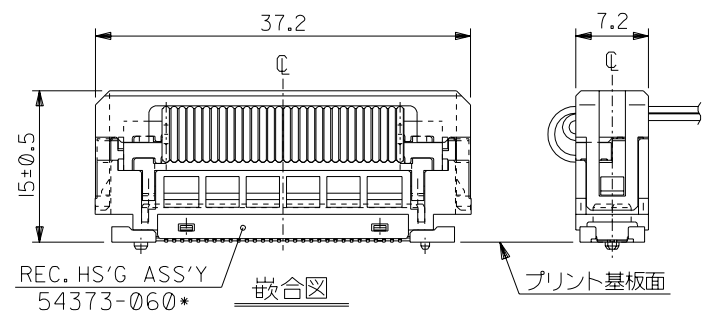
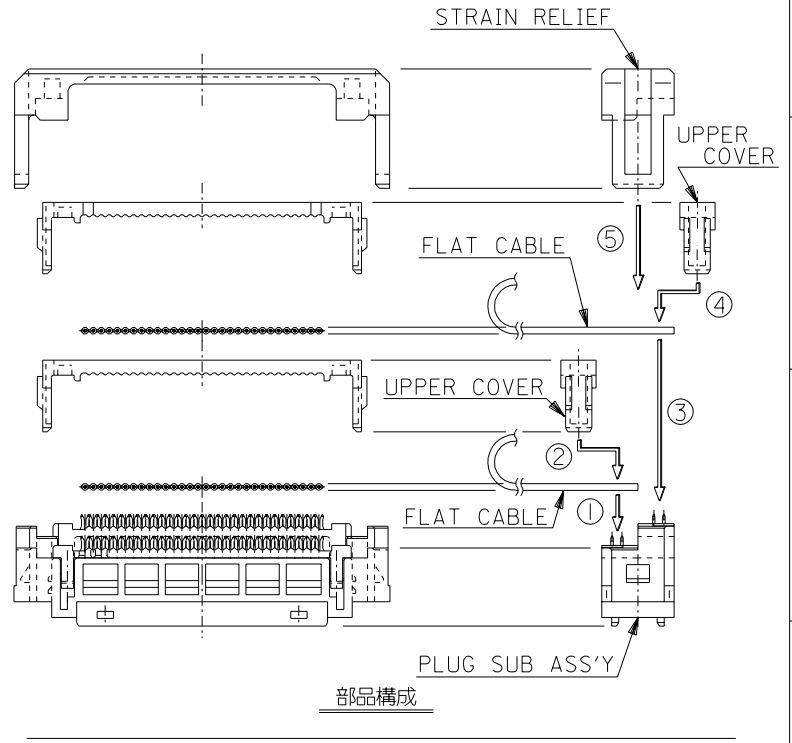


PIN ASSIGN

A SIDE CONN.	B SIDE CONN.	A SIDE CONN.	B SIDE CONN.
1	30	31	60
2	29	32	59
3	28	33	58
4	27	34	57
5	26	35	56
6	25	36	55
7	24	37	54
8	23	38	53
9	22	39	52
10	21	40	51
11	20	41	50
12	19	42	49
13	18	43	48
14	17	44	47
15	16	45	46
16	15	46	45
17	14	47	44
18	13	48	43
19	12	49	42
20	11	50	41
21	10	51	40
22	9	52	39
23	8	53	38
24	7	54	37
25	6	55	36
26	5	56	35
27	4	57	34
28	3	58	33
29	2	59	32
30	1	60	31



接続図



DO NOT SCALE DRAWING

EC NO.	DRWN:	CH'K:	APPR:	EC NO.	DRWN:	CH'K:	APPR:	EC NO.	DRWN:	CH'K:	APPR:	EC NO.	DRWN:	CH'K:	APPR:	EC NO.	DRWN:	CH'K:	APPR:

GENERAL TOLERANCES: (UNLESS SPECIFIED) 一般公差	
10 UNDER 未満	±0.2
10 OVER 30 UNDER 以上 未満	±0.25
30 OVER 以上	±0.3
ANGLE 角度	±3°

55218-***71		MODEL NO.		DIMENSIONS:		SHT		REV	
SCALE	DESIGN UNITS	THIRD ANGLE PROJECTION		mm INCH mm ONLY		REVISE ON CAD ONLY			
DRAWN BY & DATE H.SHIMABUKURO '04/3/19		TITLE: -LEAD FREE- 0.8 PITCH WIRE TO BOARD CONNECTOR							
CHECKED BY & DATE K.TOJO '04/3/19		MOLEX MOLEX INCORPORATED							
APPROVED BY & DATE M.SASAO '04/3/19		MATERIAL NO.		DRAWING NO.		SHEET NO.			
CAD FILENAME 55218004.S02		SEE CHART		SD-55218-004		2			
THIS DRAWING CONTAINS INFORMATION THAT IS PROPRIETARY TO MOLEX INCORPORATED AND SHOULD NOT BE USED WITHOUT WRITTEN PERMISSION.									
								SIZE B	