

Kunde / customer :

Artikelnummer / part number : **820 541 021** Special lead (see B)

Datum / Date : **2007-05-07**

Bezeichnung :

description : **STANDARD VARISTOR DISC** DIAM: **14** MM

**Only bulk packaging 450pcs**

ROHS Compliant

**A Elektrische Eigenschaften / electrical properties :**

TECHNICAL DATA

Part Number	Breakdown Voltage (V@mA) (*1)	Tolerance (%)	Working Voltage		Clamping Voltage V (*2)	Current Clamp. Volt. (A)	Peak Current Withstanding C. A (*3)
			AC	DC			
<b>820541021</b>	<b>1800</b>	<b>10</b>	<b>1000</b>	<b>1465</b>	<b>2970</b>	<b>50</b>	<b>4500</b>

\* 1 The varistor voltage was measured at 0.1 mA current for 5 mm diameter and 1 mA current for other

\* 2 The Clamping voltage measured at "Current Clamping Voltage" see next column

\* 3 The Peak Current was tested at 8/20 us waveform for 1 time

Part Number	Rated Wattage (W)	Energy J (*4)	Capacitance pF (*5)	UL (*6)	Certification CSA (*7)	VDE (*8)	Diameter (mm)

\* 4. The Energy measured at 10/1000 µs waveform for 1 time

\* 5. The capacitance value measured at standard frequency @ 1kHz

\* 6. Certification UL N° XUHT2.E244196

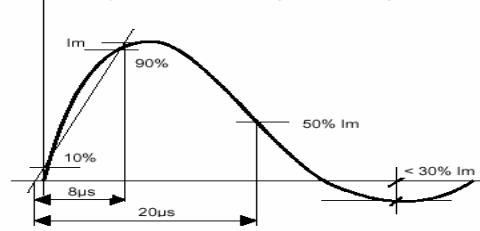
\* 7. Certification CSA N° XUHT8.E244196

\* 8. Certification VDE N° 40016998 & 40016986

SURGE LEVEL IEC61000-4-5

Severity Level	(kV)
1	0,5
2	1
3	2
4	4
X	Special

Wave shape "Short circuit" (Current I<sub>sc</sub>)



Wave during	T1	T2
8/20 µs	10 µs	1000 µs
10/700 µs CCITT	10 µs	700 µs
10/1000 µs	10 µs	1000 µs

ORDER CODE

**820**

MARKING CODE

**X X XXX X**

**S**

Varistor Type

Serie

Diameter

Vrms Voltage

Tolerance

Other

Special Type

Disc Varistor

5 = Standard  
4 = High Surge

5 = 5 mm  
7 = 7 mm  
1 = 10 mm  
4 = 14 mm  
2 = 20 mm

5 = 5%  
1 = 10%  
6 = 15%  
2 = 20%  
7 = 25%  
3 = 30%

Lead Diameter See Table  
Lead Pitch See Table  
Lead Style Straight lead  
Packing Ammopack with lead 20 mm

Example:  
180 = 18 V  
271 = 270 V  
102 = 1 000 V

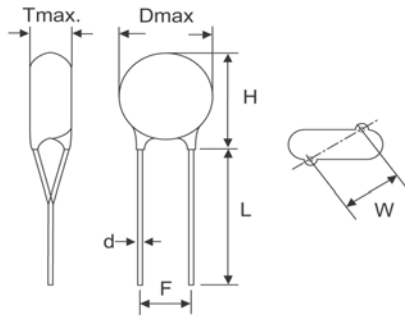
Kunde / customer :

Artikelnummer / part number : **820541021** Special lead

Bezeichnung :

description : **STANDARD VARISTOR DISC** DIAM: **14** MM**B Mechanische Abmessungen / dimensions :**

SIZE



Lead style : For 1800V special type

Special Lead Style					
Outside type					
Diameter*	5	7	10	14	20
D max			16.50		
d +/-0.05			0.80		
F +/-1.00			7.50		
H max			22.50		
L min +/-0.80			25.00		
T max			12.80		
W +/-1.00			12.50		
(mm) - * Disc diameter before epoxy					

Kunde / customer :  
 Artikelnummer / part number : **820541021** Special lead  
 Bezeichnung :  
 description : **STANDARD VARISTOR DISC** DIAM: **14** MM

**C Lötpad / soldering spec. :**

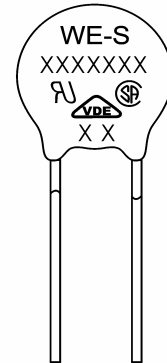
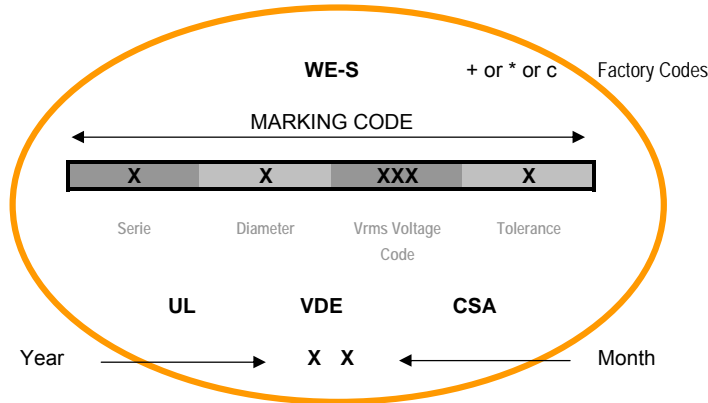
MARKING

Würth Elektronik

Characteristic

Certification

Date Code



GENERAL CHARACTERISTICS

Storage temperature :	-40 / +125°C
Max. reponse time :	25 n sec
Max. operating temperature :	-40 / +125°C
Temp. Coefficient of voltage :	0 - 0.05% / °C max
Max. working surface temperature :	+115°C
Insulation resistance (at DC 500V) :	Over 1000 Mohm

LEAD FREE SOLDERING

Solder	Tin 100%
Soldering temperature at	255°C +/-5 °C
Profile soldering	270°C during 10s

Würth Elektronik eiSos GmbH & Co.KG - Radialex department

D-74638 Waldenburg · Max-Eyth-Straße 1 - 3 · Germany · Telefon (+49) (0) 7942 - 945 - 0 · Telefax (+49) (0) 7942 - 945 - 400  
<http://www.we-online.com>

Kunde / customer :

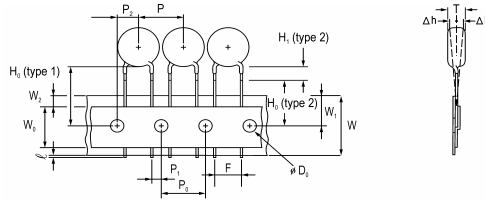
Artikelnummer / part number : **820541021 Special lead**

Bezeichnung :

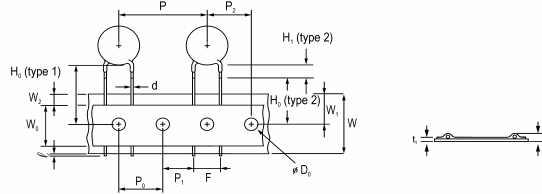
description : **STANDARD VARISTOR DISC** DIAM: **14** MM

**D Rollenspezifikation / tape and reel specification :**

TAPE 1/2" pitch



1.0" pitch



Item	Ø 5 / 7	Ø 10	Ø 10 / 14 / 20	Ø 14 / 20
Taping pitch	1/2"		1.0"	
I	1,1 mm maxi.		1,1 mm maxi.	
H <sub>1</sub> (type 2)	3,5 mm maxi.	5 mm maxi.	5 mm maxi.	
H <sub>0</sub> (type 2)	16 +/-0,5 mm		16 +/-0,5 mm	
H <sub>0</sub> (type 1)	16 à 21 mm		16 à 21 mm	
h	+/-2 mm		+/-2 mm	
W	18 mm +1 / - 0,5 mm		18 mm +1 / - 0,5 mm	
W <sub>0</sub>	10 mm		12 mm	
W <sub>1</sub>	9 mm +0,75 / -0,5 mm		9 mm +0,75 / -0,5 mm	
W <sub>2</sub>	3 mm maxi.		3 mm maxi.	
F	5 mm +0,8 / -0,2 mm		7,5 mm +0,8 / -0,2 mm	10 mm +0,8 / -0,2 mm
P	12,7 mm +/-1 mm		25,4 mm +/-1 mm	
P <sub>0</sub>	12,7 mm +/-0,3 mm		12,7 mm +/-0,3 mm	
P <sub>1</sub>	3,85 mm +/-0,7 mm		8,95 mm +/-0,7 mm	7,7 mm +/-0,7 mm
P <sub>2</sub>	6,35 mm +/-1,3 mm		12,7 mm +/-1,3 mm	
D <sub>0</sub>	4 mm +/-0,2 mm		4 mm +/-0,2 mm	
d	0,6 mm +/-0,05 mm		0,8 mm +/-0,05 mm	1,0 mm +/-0,05 mm
T	See T max. table		See T max. table	
t <sub>1</sub>	0,7 mm +/-0,05 mm		0,6 mm +/-0,05 mm	
t <sub>2</sub>	1,6 mm maxi.		1,8 mm maxi.	

Würth Elektronik eiSos GmbH & Co.KG - Radialex department

D-74638 Waldenburg · Max-Eyth-Straße 1 - 3 · Germany · Telefon (+49) (0) 7942 - 945 - 0 · Telefax (+49) (0) 7942 - 945 - 400

<http://www.we-online.com>

**WESURGE**

**Spezifikation für Freigabe / specification for release**

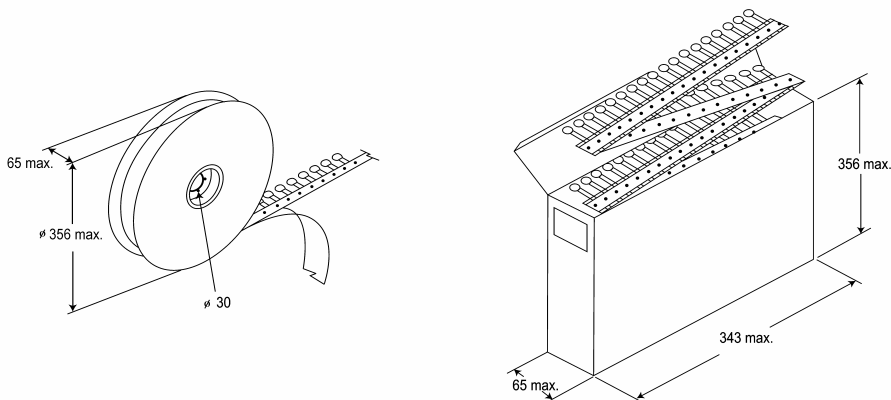
**WE**  
WÜRTH ELEKTRONIK

Kunde / customer :  
 Artikelnummer / part number : **820541021** **Special lead**  
 Bezeichnung :  
 description : **STANDARD VARISTOR DISC** DIAM: **14** MM

**D Rollenspezifikation / tape and reel specification :**

REEL DIMENSION

(Unit : mm)



Lead Free "LF" Marking

QUANTITY PER PACKING UNIT

Diameter	Ø 5			Ø 7			Ø 10				Ø 14			Ø 20		
	Bulk	Reel	Ammo	Bulk	Reel	Ammo	Bulk	Reel	Ammo	Ammo	Bulk	Reel	Ammo	Bulk	Reel	Ammo
Voltage Serie	(Box)			(Box)			(Box)		Pitch 7,5 Pitch 5		(Box)			(Box)		
040 to 300	5000	1500	1500	5000	1500	1500	2500	1000	500	1000	1500	750	500	750	500	500
350 to 400	5000	1500	1500	5000	1500	1500	2500	1000	500	1000	1500	750	500	750	500	500
500 to 211	5000	1500	1500	5000	1500	1500	2500	1000	500	1000	1500	750	500	750	500	500
231 to 251	5000	1500	1000	5000	1500	1000	2500	1000	500	1000	1500	750	500	750	500	500
271 to 301	5000	1500	1000	5000	1000	1000	2500	750	500	750	1500	750	500	750	500	500
321 to 461	4000	1000	1000	4000	1000	1000	1500	500	500	500	750	500	500	450	500	500
481 to 681	-	-	-	-	-	-	1500	500	500	500	750	500	500	450	500	500
102							750				450			300		

QUANTITY PER CARTON UNIT

Packaging	Bulk (Box)	Reel	Reel Ø 14 / 20	Ammopack	Ammo Ø 14 / 20
Box size	290 x 155 x 110	350 x 350 x 108	350 x 350 x 74	330 x 240 x 45	350 x 260 x 65
Carton size	310 x 328 x 250	371 x 371 x 590	370 x 370 x 468	354 x 515 x 258	365 x 535 x 275
One carton with	4 boxes	5 boxes (10 reels)	6 boxes	10 boxes	8 boxes
Unit:(mm)					

**Würth Elektronik eiSos GmbH & Co.KG - Radialex department**

D-74638 Waldenburg · Max-Eyth-Straße 1 - 3 · Germany · Telefon (+49) (0) 7942 - 945 - 0 · Telefax (+49) (0) 7942 - 945 - 400  
<http://www.we-online.com>



**Spezifikation für Freigabe / specification for release**



Kunde / customer :  
 Artikelnummer / part number : **820 541 021** **Special lead**  
 Bezeichnung :

**E Testbedingungen / test conditions :**

## BASIC TEST AND ENVIRONMENTAL RELIABILITY TEST

**Humidity**

The specimen shall be subjected to 40 $\pm$ 2°C, 90 to 95% R.H. For 1000 hours without load and then stored at room temperature and normal humidity for 1 to 2 hours. Thereafter, the change of Vn shall be measured and meet the requirement of:

$$\Delta V_n/V_n \leq \pm 5\%$$

**Impulse life**

The impulse current listed on catalog is applied 1000 times continuously with the interval of 30 seconds at room temperature. The change of Vn shall be measured

$$\Delta V_n/V_n \leq \pm 10\%$$

**Low temperature**

The specimen shall be subjected to 40  $\pm$ 2°C without load for 1000 hours and then stored at room temperature and normal humidity for 1 to 2 hours. Thereafter, the change of Vn shall be measured and meet the requirement of  $\Delta V_n/V_n \leq \pm 5\%$ .

**High temperature load**

After being continuously applied the maximum allowable Voltage at 85  $\pm$ 2°C for 1000 hours, the specimen shall be stored at room temperature and humidity for 1 to 2 hours. The change of Vn shall be measured and meet the requirement of  $V_n/V_n \leq \pm 10\%$ .

**High temperature storage**

The specimen shall be subjected to 125  $\pm$ 1°C for 1000 hours. In a drying oven without load stored at room temperature and humidity for 1 to 2 hours. The change of Vn shall be measured and meet the requirement of  $\Delta V_n/V_n \leq \pm 5\%$ .

**Withstanding Voltage**

The specified voltage shall be applied between both terminals of the specimen connected together for 1 minute, with no remarkable mechanical damage.

**Withstanding Voltage (Body Insulation)**

Classification (Nom. varistor voltage)	Test Voltage (AC)
$V_{0,1mA} - V_{1mA} \leq 330 V$	1 000 Vrms
$V_{0,1mA} - V_{1mA} > 330 V$	1 500 Vrms

**Terminal pull strength**

After gradually applying the load specified below and keeping the unit fixed for 10  $\pm$ 1 seconds, with no remarkable mechanical damage.

Terminal diameter	Loading weight in pull strength
0.6mm (0.024")	10N (1.02Kg)
0.8 mm (0.031")	10N (1.02Kg)
1.0 mm (0.039")	20N (2.04Kg)

**Terminal bending strength**

The unit shall be secured with its terminal kept vertical and the weight specified above shall be applied in the axial direction. The terminal shall gradually be bent 90° in one direction, then 90° in the opposite direction, and again back to the original position. A bend of lead wire shall be repeated 2 times, with no remarkable mechanical damage.

Loading weight in bending strength

5N (0.51Kg)

5N (0.51Kg)

10N (1.02Kg)

**Vibration**

Subjected to simple harmonic motion of 0.75 mm amplitude 1.5 mm maximum total excursion between limits of 10-55 Hz. Frequency scan shall be traversed in one minute. This motion shall then be applied for period of 2 hours in each of three mutually perpendicular directions, with no remarkable mechanical damage.

**Solderability**

After dipping the terminal to a depth of approximately 3mm from the body in a soldering bath of 235  $\pm$ 5°C for 2  $\pm$ 0.5 seconds, the terminal shall be visually examined. Approximately 95% of the terminals shall be covered with new solder uniformly.

**Resistance to soldering heat**

The terminal shall be dipped into a soldering bath with temperature of 260  $\pm$ 5°C to a point of 2~2.5 mm from the body of the unit, be held there for 10  $\pm$ 1 sec (5N series: 5  $\pm$ 1 sec) and then be stored at room temperature and humidity for 1 to 2 hours. The change of Vn shall be measured and meet the requirement of  $\Delta V_n/V_n \leq \pm 5\%$  with no remarkable mechanical damage.

**Damp heat load**

The specimen shall be subjected to 40  $\pm$ 2°C, 90 to 95% R.H. and the maximum allowable voltage for 100 hours and then stored at room temperature and normally humidity for 1 to 2 hours. The change of Vn shall be measured and meet the requirement of

$$\Delta V_n/V_n \leq \pm 10\%$$

**Temperature cycle**

The temperature cycle is repeated five cycles with (1)-40  $\pm$ 3°C keeping 30  $\pm$ 3 minutes then (2) room temperature keeping 15  $\pm$ 3 minutes then (3)125  $\pm$ 2°C keeping 30  $\pm$ 3 minutes then (4) room temperature keeping 15  $\pm$ 3 minutes and then stored at room temperature and humidity for 1 to 2 hours. The change of Vn shall be measured and meet requirement

$$\Delta V_n/V_n \leq \pm 5\%$$
 with no remarkable mechanical damage.

Freigabe erteilt / general release:	<b>Kunde / customer</b>			
Datum / date	Unterschrift / signature	JP Penlou	New P/N	2006-06-01
	<b>Würth Elektronik</b>	JP Penlou	Customer Layout	2006-05-11
		JP Penlou	Factory codes	2005-11-16
		JP Penlou	Lead Free Marking	2004-10-19
Geprüft / checked	2006-06-01	Kontrolliert / approved	JP. Penlou	
		Name	Änderung / modification	Datum / date

**Würth Elektronik eiSos GmbH & Co.KG - Radialex department**

D-74638 Waldenburg · Max-Eyth-Straße 1 - 3 · Germany · Telefon (+49) (0) 7942 - 945 - 0 · Telefax (+49) (0) 7942 - 945 - 400  
http://www.we-online.com