

1000BASE-T VERTICAL RJ45 JACK WITH MAGNETIC MODULE



N4601



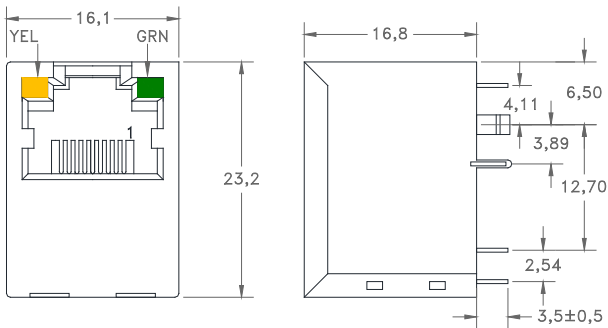
- Vertical mount package
- Designed for network interface card application
- For Gigabit Transmission over CAT 5 & 6 UTP cable
- Designed to meet IEEE802.3 requirement
- Operating temperature: 0°C to +70°C
- RoHS compliant product
- Custom design available

ELECTRICAL PARAMETERS @25°C

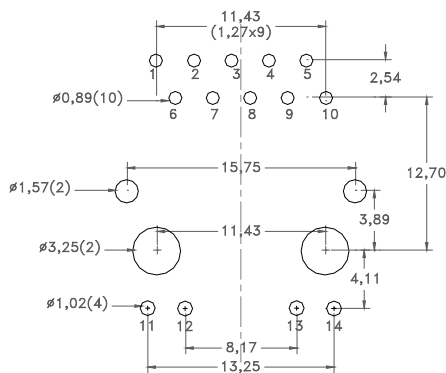
Part Number	Turns Ratio ±2%		Insertion Loss (dB Max)	Return Loss (dB) Min MHz				Cross Talk (dB) Typ MHz		CMR (dB) Typ MHz
	TX	RX		1-100MHz	1-40	60	80	100	1-30	
N4601	1CT:1	1CT:1	-1.1	-18	-14	-12	-10	-40	-30	-20

- Inductance: 350µH Min @ 100KHz, 0.1VRMS with 8mA DC
- Hipot: 1500VRMS (Pri to Sec) 0.5mA Max

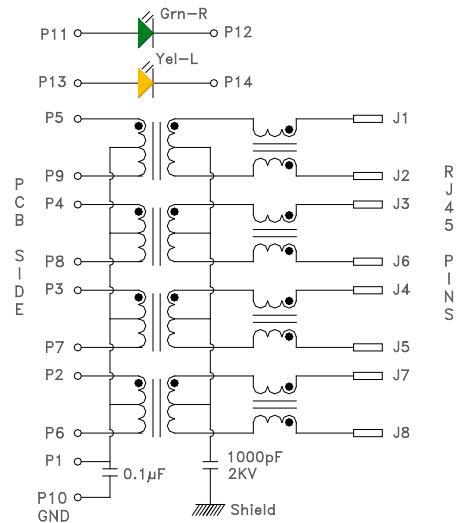
DIMENSIONS



RECOMMENDED PCB LAND PATTERN



SCHEMATIC



Dimensions

Unless otherwise specified, all tolerances are:
 inch: .XX : ±0.015 .XXX : ±0.004
 mm: X,X : ±0.38 X,XX : ±0.10

Product performance is limited to specified parameters. Data is subject to change without prior notice.

13200 Estrella Ave., Bldg. B
 Gardena, CA 90248

Tel: 310-325-1043
 Fax: 310-325-1044

www.mpsind.com
 sales@mpsind.com