

NCP3102

Wide Input Voltage Synchronous Buck Converter

The NCP3102 is a high efficiency, 10 A DC-DC buck converter designed to operate from a 5 V to 13.2 V supply. The device is capable of producing an output voltage as low as 0.8 V. The NCP3102 can continuously output 10 A through MOSFET switches driven by an internally set 275 kHz oscillator. The 40-pin device provides an optimal level of integration to reduce size and cost of the power supply. The NCP3102 also incorporates an externally compensated transconductance error amplifier and a capacitor programmable soft-start function. Protection features include programmable short circuit protection and under voltage lockout (UVLO). The NCP3102 is available in a 40-pin QFN package.

Features

- Input Voltage Range from 4.5 V to 13.2 V
- 275 kHz Internal Oscillator
- Greater than 90% Maximum Efficiency
- Boost Pin Operates to 25 V
- Voltage Mode PWM Control
- 0.8 V \pm 1% Internal Reference Voltage
- Adjustable Output Voltage by Resistor Divider
- Capacitor Programmable Soft-Start
- 80% Maximum Duty Cycle
- Input Undervoltage Lockout
- Resistor Programmable Current Limit
- This is a Pb-Free Device

Applications

- Servers/Networking
- DSP and FPGA Power Supply
- DC-DC Regulator Modules

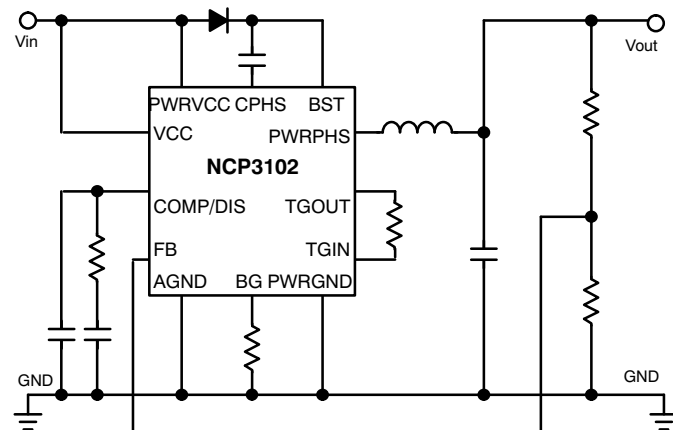
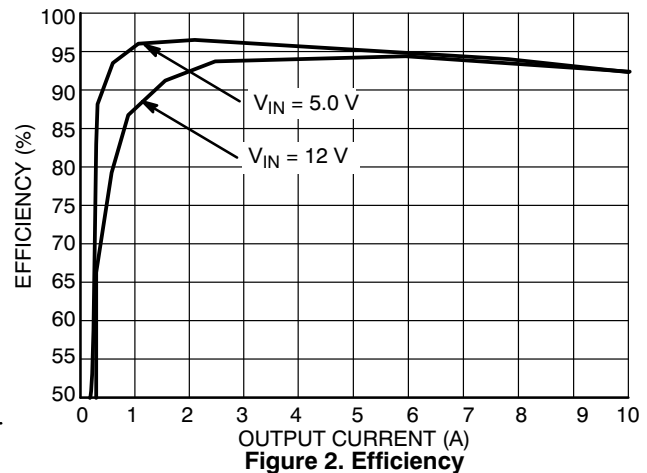
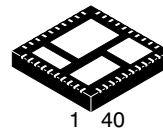


Figure 1. Typical Application Diagram



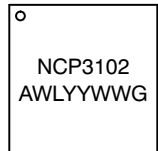
ON Semiconductor®

<http://onsemi.com>



QFN40
CASE 485AK

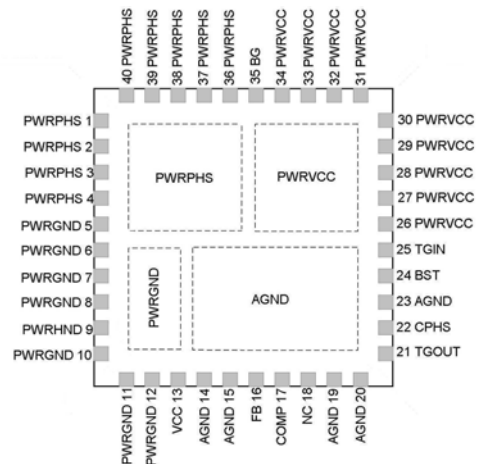
MARKING DIAGRAM



1 40

- A = Assembly Location
- WL = Wafer Lot
- YY = Year
- WW = Work Week
- G = Pb-Free Package

PIN CONNECTIONS



(Top View)

ORDERING INFORMATION

See detailed ordering and shipping information in the package dimensions section on page 16 of this data sheet.

NCP3102

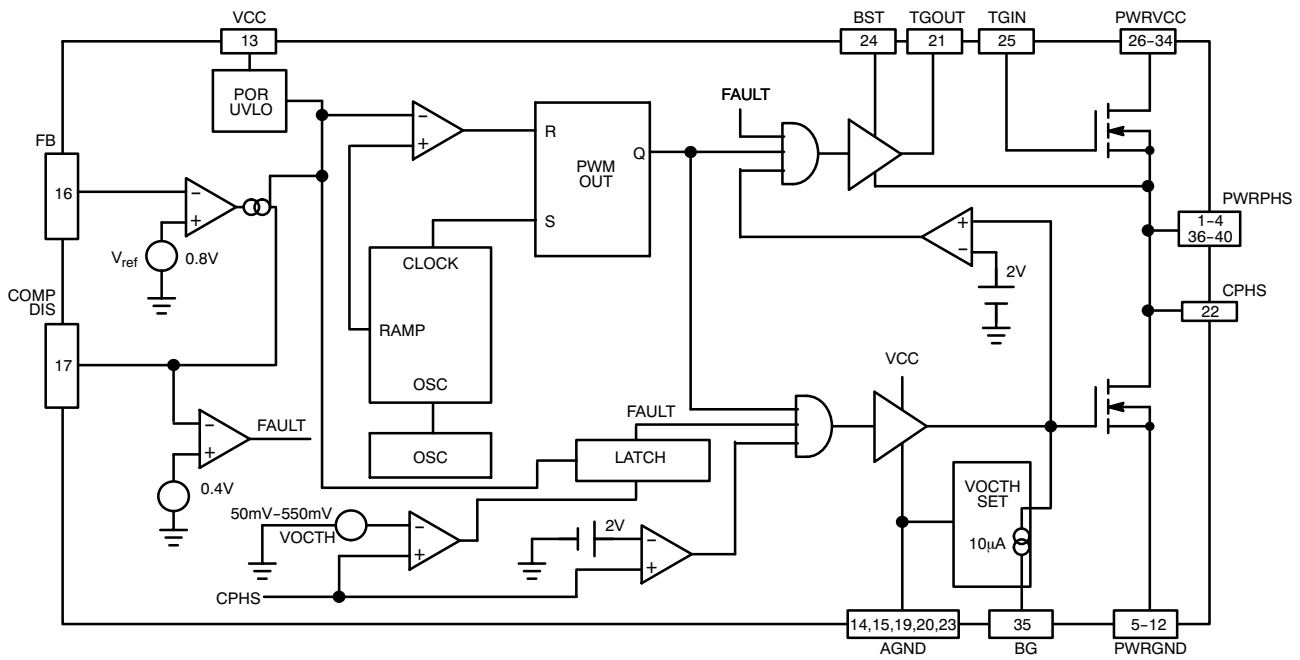


Figure 3. Detailed Block Diagram

PIN FUNCTION DESCRIPTION

| Pin No | Symbol | Description |
|----------------|-----------------|---|
| 1-4 , 36-40 | PWRPHS | Power phase node. Drain of the low side power MOSFET and source of the high side MOSFET. |
| 5-12 | PWRGND | Power ground. Source of the low side power MOSFET. Connected with large copper area. High current return for the low side MOSFET. |
| 13 | V _{CC} | Supply for the internal driver. Decouple with a 0.1 µF - 1 µF capacitor to AGND as close to the IC as possible. |
| 14,15,19,20,23 | AGND | Internal driver ground. Reference ground for FB, COMP and other driver circuits. |
| 16 | FB | The input pin to the error amplifier.(inverted input error amplifier) Connect this pin to the output resistor divider (if used) or directly to the output voltage near the load connection. |
| 17 | COMP/DIS | Compensation or disable pin. (output error amplifier) Use this pin to compensate the voltage control feedback loop. The compensation capacitor also acts as a soft-start capacitor. Pulling the pin below 400 mV will disable the controller. |
| 18 | NC | No connect. This pin can be connected to AGND or not connected. |
| 21 | TGOUT | Output high side MOSFET driver. |
| 22 | CPHS | The controller phase sensing. |
| 24 | BST | Supply rail for the floating top gate driver. |
| 25 | TGIN | Gate high side MOSFET |
| 26-34 | PWRVCC | Input supply pins for the high side MOSFET. (Drain) |
| 35 | BG | The current limit set pin. |

NCP3102

ABSOLUTE MAXIMUM RATINGS

| Pin Name | Symbol | V _{MAX} | V _{MIN} |
|--------------------------------------|-----------------|--------------------------------|--------------------------------|
| Control Circuitry Input Voltage | V _{CC} | 15 V | -0.3 V |
| Main Supply Voltage Input | PWRVCC | 30V | -0.3 V |
| Bootstrap Supply Voltage Input | BST | 30 V wrt/GND 15 V wrt/PHASE | -0.3 V |
| Phase Node | PWRPHS | 25 V | -0.7 V -5 V for < 50 nsec |
| Phase Node (Bootstrap Supply Return) | CPHS | 25 V | -0.7 V -5 V for < 50 nsec |
| Current Limit Set | BG | 15V | -0.3V -2.0 V for < 200 nsec |
| Feedback | FB | 5.5 V | -0.3 V |
| COMP/DISABLE | COMP/DIS | 5.5 V | -0.3 V |

MAXIMUM RATINGS

| Pin Name | Symbol | Value | Unit |
|---|------------------|------------|------|
| Thermal Resistance Junction-to-Ambient (Note 2) | R _{θJA} | 35 | °C/W |
| Operating Junction Temperature Range | T _J | -40 to 150 | °C |
| Storage Ambient Temperature | T _{stg} | -55 to 150 | °C |
| Thermal Characteristics 6X6 QFN Plastic Package Maximum Power Dissipation @ T _A = 25°C | P _D | 3000 | mW |
| Lead Temperature Soldering (10 sec): Reflow (SMD Styles Only) Pb-Free (Note 1) | | 260 peak | °C |
| Moisture Sensitivity Level | MSL | 3 | - |

Stresses exceeding Maximum Ratings may damage the device. Maximum Ratings are stress ratings only. Functional operation above the Recommended Operating Conditions is not implied. Extended exposure to stresses above the Recommended Operating Conditions may affect device reliability.

NOTE: These devices have limited built-in ESD protection. The devices should be shorted together or the device placed in conductive foam during storage or handling to prevent electrostatic damage to the device.

1. 60-180 seconds minimum above 237°C
2. Based on 110*100 mm double layer PCB with 35 μm thick copper plating.

NCP3102

ELECTRICAL CHARACTERISTICS ($0^{\circ}\text{C} < T_J < 70^{\circ}\text{C}$ for NCP3102, $-40^{\circ}\text{C} < T_J < 125^{\circ}\text{C}$ for NCP3102B, $4.5\text{ V} < V_{\text{CC}} < 13.2\text{ V}$, $\text{BST} = V_{\text{CC}} * 2$)

| Characteristic | Conditions | Min | Typ | Max | Unit |
|----------------------------------|--|-------|-----------|-------|---------------------|
| Input Voltage Range | - | 4.5 | | 13.2 | V |
| Boost Voltage Range | - | 4.5 | | 26.5 | V |
| Quiescent Supply Current | $V_{\text{FB}} = 1.0\text{ V}$, No Switching, $V_{\text{CC}} = 13.2\text{ V}$ | | 2.3 | 3.5 | mA |
| Quiescent Supply Current | $V_{\text{FB}} = 1.0\text{ V}$, No Switching, $V_{\text{CC}} = 5\text{ V}$ | | 1.8 | | mA |
| V_{CC} Supply Current | $V_{\text{FB}} = 0.5\text{ V}$, Switching, $V_{\text{CC}} = 13.2\text{ V}$ | | 10.3 | 25 | mA |
| V_{CC} Supply Current | $V_{\text{FB}} = 0.5\text{ V}$, Switching, $V_{\text{CC}} = 5\text{ V}$ | | 5.6 | 12.5 | mA |
| Boost Quiescent Current | $V_{\text{FB}} = 1.0\text{ V}$, No Switching, $V_{\text{BST}} = 25\text{ V}$ | | 600 | | μA |
| UVLO threshold | V_{CC} Rising Edge | 3.6 | 4 | | V |
| UVLO hysteresis | | | 0.4 | | V |
| V_{FB} Feedback Voltage | $T_J = 0^{\circ}\text{C}$ to 70°C | 0.792 | 0.8 | 0.808 | V |
| V_{FB} Feedback Voltage | $T_J = -40^{\circ}\text{C}$ to 125°C | 0.788 | 0.8 | 0.812 | V |
| Oscillator Frequency | $T_J = 0^{\circ}\text{C}$ to 70°C | 250 | 275 | 300 | kHz |
| Oscillator Frequency | $T_J = -40^{\circ}\text{C}$ to 125°C | 233 | 275 | 317 | kHz |
| Minimum Duty Cycle | | | 4 | | % |
| Maximum Duty Cycle | | 70 | 75 | 80 | % |
| Blanking Time | | | 50 | | ns |
| Transconductance | | 2 | 3 | 5 | mS |
| Open Loop DC Gain | Guaranteed by Design | 55 | 70 | | dB |
| Output Source Current | $V_{\text{FB}} - 100\text{ mV}$ | 80 | 120 | | μA |
| Output Sink Current | $V_{\text{FB}} + 100\text{ mV}$ | 80 | 120 | | μA |
| Input Bias Current | | | 0.1 | 1 | μA |
| Unity Gain Bandwidth | Guaranteed by Design | | 4 | | MHz |
| Soft-Start Source Current | $V_{\text{FB}} = 0.8\text{ V}$ | 7 | 10 | 17 | μA |
| Transient Response* | Undershot V_{OUT} Recovery Time | | 71 180 | | mV μs |

OVERCURRENT PROTECTION

| | | | | | |
|--------------------------|---------------------------------------|---|------|---|---------------|
| OC Threshold | $R_{\text{BG}} = 5\text{ k}\Omega$ | | 50 | | mV |
| Fixed OC Threshold | | - | -375 | - | mV |
| OCSET Current Source | Sourced from BG Pin before Soft-Start | | 10 | | μA |
| OC Switch-Over Threshold | | | 700 | | mV |

OUTPUT POWER MOSFETS

| | | | | | |
|-------------------------------|--|--|---|--|------------|
| $R_{\text{DS(on)}}$ Low-Side | $V = 12.0\text{ V}$ $I_{\text{D}} = 10\text{ A}$ | | 8 | | m Ω |
| $R_{\text{DS(on)}}$ High-Side | $V = 12.0\text{ V}$ $I_{\text{D}} = 10\text{ A}$ | | 8 | | m Ω |

*Transient response with $2.5\text{ A}/\mu\text{s}$ load step 50% - 100% defined at output parts: $C_{\text{OUT}} = 2 \times 100\text{ }\mu\text{F MLCC} + 1\text{ mF OS-CON}$.

TYPICAL OPERATING CHARACTERISTICS

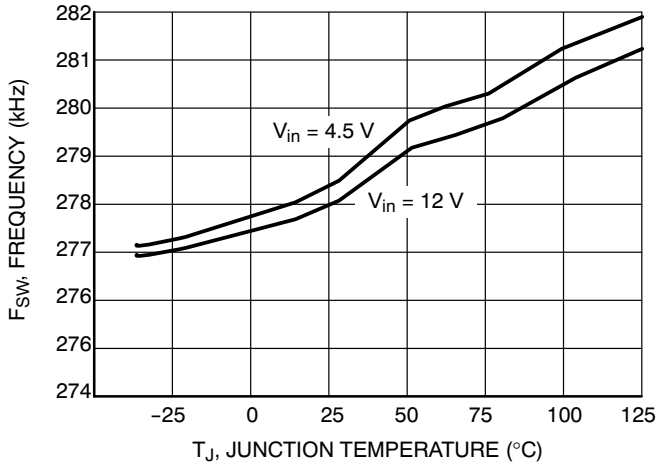


Figure 4. Oscillator Frequency (F_{sw}) vs. Temperature

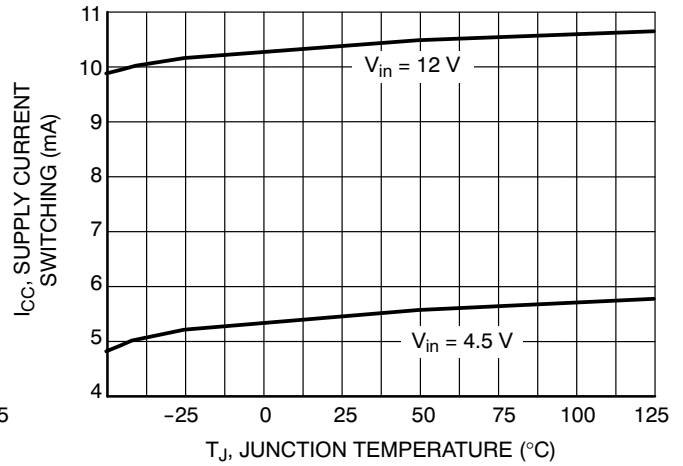


Figure 5. I_{cc} vs. Temperature

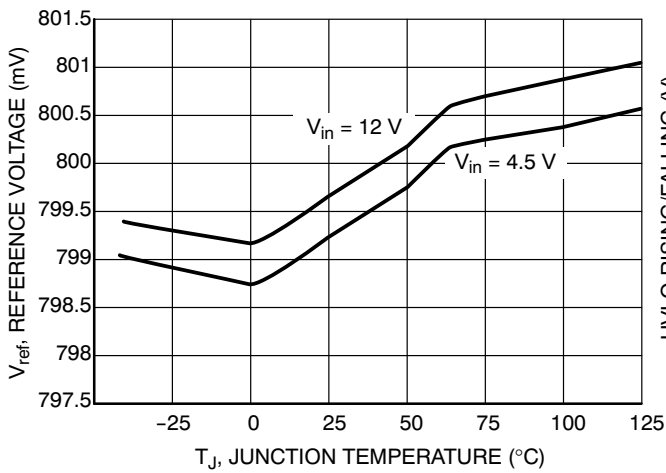


Figure 6. Reference Voltage (V_{ref}) vs. Temperature

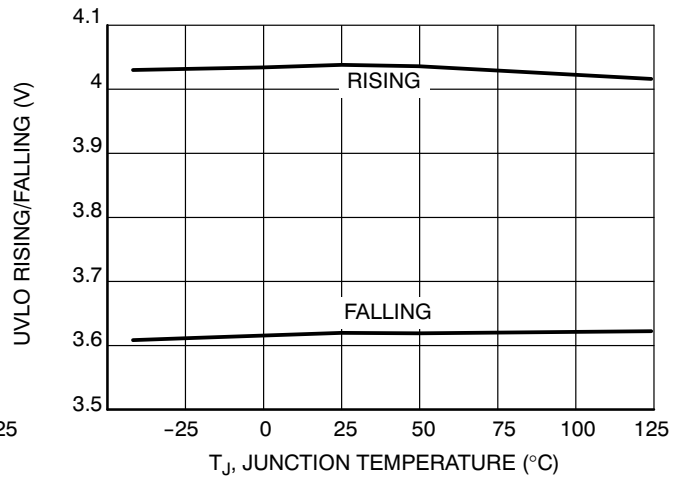


Figure 7. UVLO vs. Temperature

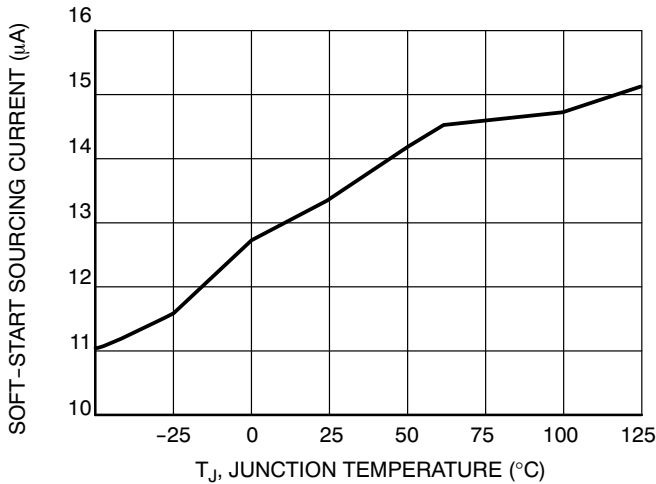


Figure 8. Soft-Start Sourcing Current vs. Temperature

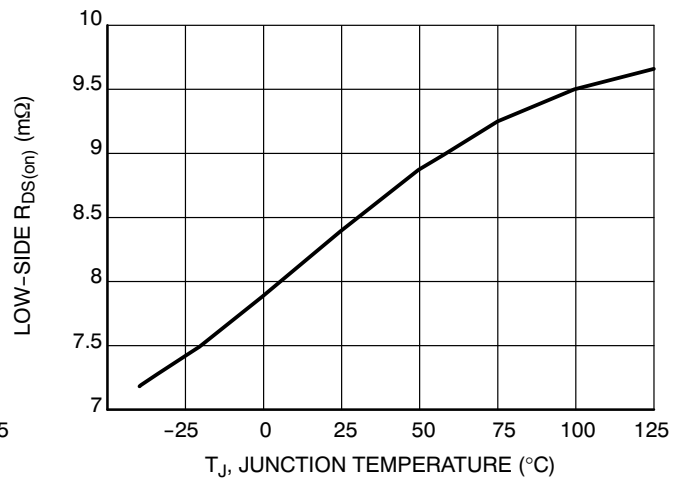


Figure 9. I-Limit vs. Temperature

DETAILED OPERATING DESCRIPTION

General

NCP3102 is a high efficiency integrated wide input voltage 10 A synchronous PWM buck converter designed to operate from a 5 V to 13.2 V supply. The output voltage of the converter can be precisely regulated down to 800 mV $\pm 1.0\%$ when the V_{FB} pin is tied to V_{OUT} . The switching frequency is internally set to 275 kHz. A high gain Operational Transconductance Error Amplifier (OTA) is used for feedback and stabilizing the loop.

Duty Cycle and Maximum Pulse Width Limits

In steady state DC operation, the duty cycle will stabilize at an operating point defined by the ratio of the input to the output voltage. The NCP3102 can achieve an 80% duty cycle. There is a built in off-time which ensures that the bootstrap supply is charged every cycle. The NCP3102, which is capable of a 100 nsec pulse width (minimum), can allow a 12 V to 0.8 V conversion at 275 kHz. The duty cycle limit and the corresponding output voltage are shown below in graphical format in Figure 10 and 12. The light gray area represents the safe operating area for the lowest maximum operational duty cycle and the dark grey area represents the absolute maximum duty cycle and corresponding output voltage.

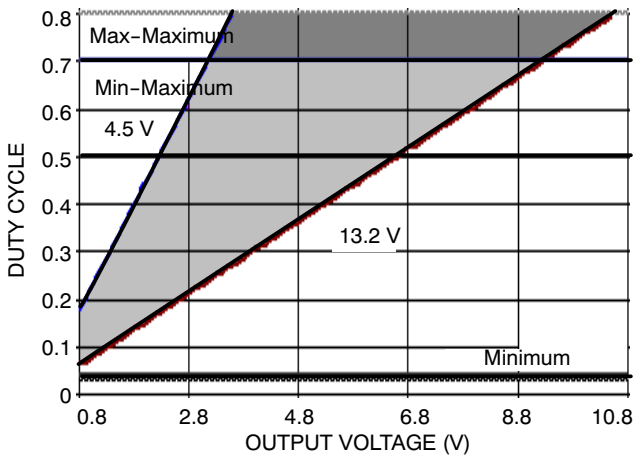


Figure 10. Duty Cycle to Output Voltage

Input Voltage Range (V_{CC} and BST)

The input voltage range for both V_{CC} and BST is 4.5 V to 13.2 V with reference to GND and PHS, respectively. Although BST is rated at 13.2 V with reference to PHS, it can also tolerate 25 V with respect to GND.

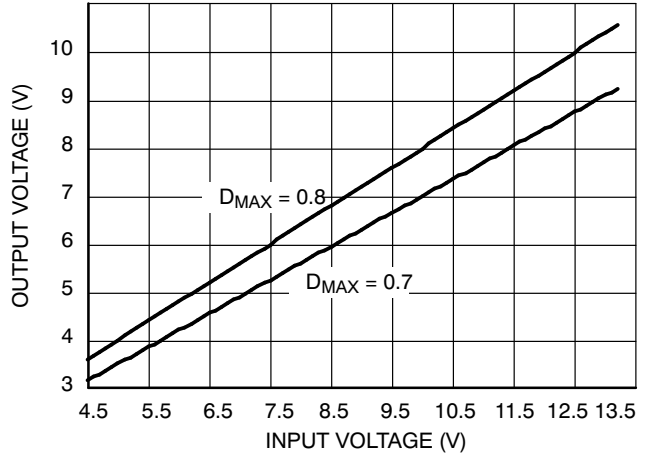


Figure 11. Maximum Input to Output Voltage

External Enable/Disable

When the Comp Pin voltage falls or is pulled externally below the 400 mV threshold as shown in Figure 12, it disables the PWM Logic and the gate drive outputs. In this disabled mode, the operational transconductance amplifier's (EOTA) output source current is reduced and limited to the Soft-Start mode of 10 μ A. Always start normal operation condition after disable mode begins by soft-start sequence. This is mentioned in the next section.

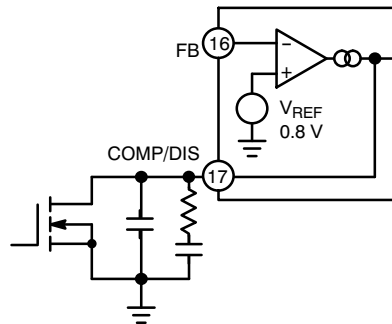


Figure 12. Disable Circuit

Normal Shutdown Behavior

Normal shutdown occurs when the IC stops switching because the input supply reaches UVLO threshold. In this case, switching stops, the internal soft-start, SS, is discharged, and all GATE pins go low. The switch node enters a high impedance state and the output capacitors

discharge through the load with no ringing on the output voltage.

External Soft-Start

The NCP3102 features an external soft-start function, which reduces inrush current and overshoot of the output voltage. Soft-Start is achieved by using the internal current source of charges the external integrator capacitor of the transconductance amplifier. Figure 13 is a typical soft-start sequence. This sequence begins once V_{CC} surpasses its UVLO threshold. During soft-start, as the Comp Pin rises through 400 mV, the PWM Logic and gate drives are enabled. When the feedback voltage crosses 800 mV, the EOTA will be given control to switch to its higher regulation mode output current of 120 μA. In the event of an over current during the soft-start, the overcurrent logic will override the soft-start sequence and will shut down the PWM logic and both the high side and low side gates of the switching MOSFETS. If the voltage on the Comp Pin reaches the value of 1.1 V, the device will start switching MOSFETS. The voltage on the Comp Pin is proportional to Duty Cycle in case of the device working in regulated mode.

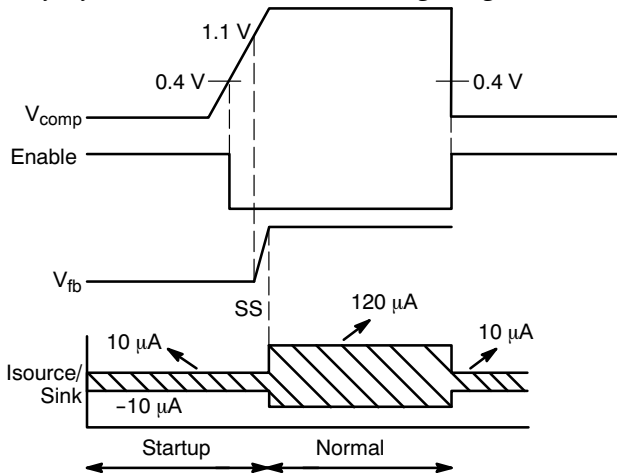


Figure 13. Soft-Start Implementation

UVLO

Undervoltage Lockout (UVLO) is provided to ensure that unexpected behavior does not occur when V_{CC} is too low to support the internal rails and power the converter. For the NCP3102, the UVLO is set to ensure that the IC will startup when V_{CC} reaches 4.0 V and shutdown when V_{CC} drops below 3.6 V. This permits smooth operation from a varying 5.0 V input source.

Current Limit Protection

In case of a short circuit or overload, the low side LS-FET will conduct large currents. The controller will shut down the regulator in this situation for protection against overcurrent. The low side R_{DS(on)} sense is implemented by comparing the voltage at the phase node when BG starts going low to an internally generated fixed voltage. If the phase voltage is lower than OC trip voltage, an overcurrent condition occurs and a counter is initiated. When the counter completes, the PWM logic and both HS-FET and LS-FET are turned off. The converter will reinitialize through the soft-start cycle to determine if the short circuit or overload

condition has been removed. The minimum turn-on time of the LS-FET is set to 500 ns. The trip thresholds have a -95 mV, +45 mV process and temperature variation when set to -375 mV. The operation of key nodes is displayed in Figure 14 for both normal operation and during over current conditions.

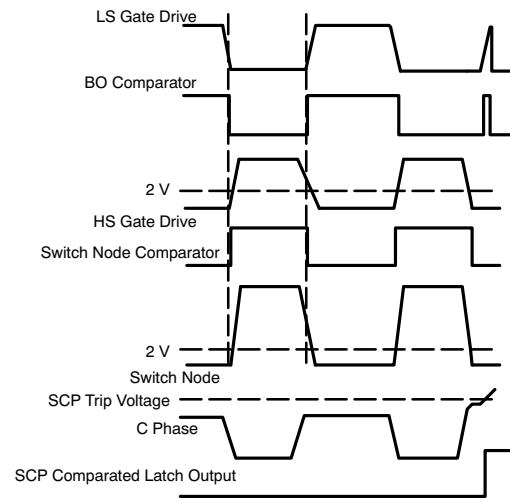


Figure 14. Switching and Current Limit Timing

Overcurrent Protection Setting

NCP3102 allows the setting of Overcurrent Threshold ranging from 50 mV to 550 mV, simply by adding a resistor (ROCSET) between BG and GND. During a short period of time following V_{CC} rising over UVLO threshold, an internal 10 μA current (IOCSET) is sourced from BG Pin, determining a voltage drop across ROCSET. This voltage drop will be sampled and internally held by the device as Overcurrent Threshold. The OC setting procedure overall time length is approximately 6 ms. When a ROCSET resistor is connected between BG and GND, the programmed threshold is set with an RSET values range from 5 kΩ to 55 kΩ.

$$IOcth = \frac{IOCSET * ROCSET}{R_{DS(on)}} \quad (eq. 1)$$

In case ROCSET is not connected, the device switches the OCP threshold to a fixed 375 mV value: an internal safety clamp on BG is triggered as soon as BG voltage reaches 700 mV, enabling the 375 mV fixed threshold and ending OC setting phase. In case of the OCP activation, it is necessary to turn off input supply and start new soft-start sequence. Even though the DISABLE function initiates soft-start sequencing, it is impossible to reset the activated OCP by using this DISABLE function.

Drivers

The NCP3102 drives the internal High and Low side Switching MOSFETS with 1 A gate drivers. The gate drivers also include adaptive nonoverlap circuitry. The nonoverlap circuitry increase efficiency, which minimizes power dissipation, by minimizing the body diode conduction time.

A detailed block diagram of the nonoverlap and gate drive circuitry used in the chip is shown in Figure 15.

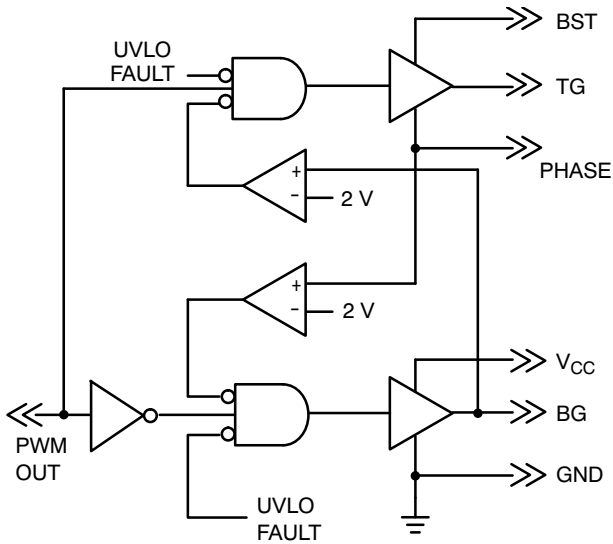


Figure 15. Block Diagram

Careful selection and layout of external components is required, to realize the full benefit of the onboard drivers. The capacitors between V_{CC} and GND and between BST and PHASE must be placed as close as possible to the device. A ground plane should be placed on the closest layer for return currents to GND in order to reduce loop area and inductance in the gate drive circuit.

APPLICATION SECTION

Input Capacitor Selection

The input capacitor has to sustain the ripple current produced during the on time of the upper MOSFET, so it must have a low ESR to minimize the losses. The RMS value of this ripple is:

$$I_{in_{RMS}} = I_{OUT} \sqrt{D \times (1 - D)} \quad (\text{eq. 2})$$

Where D is the duty cycle, $I_{in_{RMS}}$ is the input RMS current, and I_{OUT} is the load current. The equation reaches its maximum value with $D = 0.5$. Losses in the input capacitors can be calculated with the following equation:

$$P_{CIN} = ESR_{CIN} \times I_{in_{RMS}}^2 \quad (\text{eq. 3})$$

Where P_{CIN} is the power loss in the input capacitors and ESR_{CIN} is the effective series resistance of the input capacitance. Due to large di/dt through the input capacitors, electrolytic or ceramics should be used. If a tantalum capacitor has to be used, surge protection is needed. Otherwise, capacitor failure could occur.

Calculating Input Startup current

To calculate the input startup current, the following equation can be used:

$$I_{inrush} = \frac{C_{OUT} \times V_{OUT}}{t_{SS}} \quad (\text{eq. 4})$$

where I_{inrush} is the input current during startup, C_{OUT} is the total output capacitance, V_{OUT} is the desired output voltage, and t_{SS} is the soft-start interval.

If the inrush current is higher than the steady state input current during maximum load, then the input fuse should be rated accordingly, if one is used.

Calculating Soft-Start Time

To calculate the soft-start time, the following equation can be used.

$$t_{SS} = \frac{(C_p + C_c) * \Delta V}{I_{SS}} \quad (\text{eq. 5})$$

Where C_c is the compensation as well as the soft-start capacitor.

C_p is the additional capacitor that forms the second pole.

I_{SS} is the soft-start current

ΔV is the comp voltage from zero to until it reaches regulation.

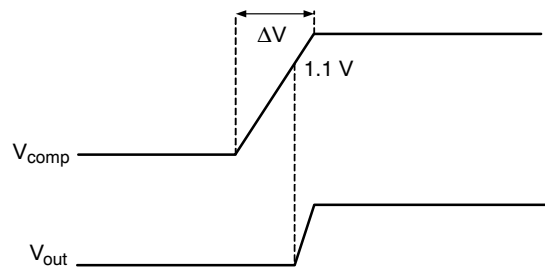


Figure 16. Soft-Start

The above calculation includes the delay from comp rising to when output voltage becomes valid.

To calculate the time of output voltage rising to when it reaches regulation; ΔV is the difference between the comp voltage reaching regulation and 1.1 V.

Output Capacitor Selection

Selection of the right value of input and output capacitors determines the behavior of the buck converter. In most high power density applications the capacitor size is most important. Ceramic capacitor is necessary to reduce the high frequency ripple voltage at the input of converter. This capacitor should be located near the device as possible. Added electrolytic capacitor improved response of relative slow load change.

The required output capacitor will be determined by planned transient deviation requirements. Usually a combination of two types of capacitors is recommended to meet the requirements. First, a ceramic output capacitor is needed for bypassing high frequency noise. Second, an electrolytic output capacitor is needed to achieve good transient response.

In fact, during load transient, for the first few microseconds the bulk capacitance supplies current to the load. The controller immediately recognizes the load

transient and sets the duty cycle to maximum, but the current slope is limited by the inductor value.

During a load step transient the output voltage initially drops due to the current variation inside the capacitor and the ESR. (neglecting the effect of the effective series inductance (ESL)):

$$\Delta V_{OUT-ESR} = \Delta I_{out} \times ESR_{COUT} \quad (eq. 6)$$

Where $V_{OUT-ESR}$ is the voltage deviation of V_{OUT} due to the effects of ESR and the ESR_{COUT} is the total effective series resistance of the output capacitors.

Table 1. shows values of voltage drop and recovery time of the NCP3102 demo board with the configuration shown in Figure 20. The transient response was measured for the load current step from 5 A to 10 A (50% to 100% load).

Input capacitors are 2x47 μ F ceramic and 2x270 μ F OS-CON, output capacitors are 2x100 μ F ceramic and OS-CON as mentioned in Table 1. Typical transient response waveforms are shown in Figure 17.

More information about OS-CON capacitors is available at <http://www.edc.sanyo.com>.

Table 1. TRANSIENT RESPONSE VERSUS OUTPUT CAPACITANCE (50% to 100% Load Step)

| C _{OUT} (μ F) OS-CON | Drop (mV) | Recovery Time (μ s) |
|------------------------------------|-----------|--------------------------|
| 100 | 226 | 504 |
| 150 | 182 | 424 |
| 220 | 170 | 264 |
| 270 | 149 | 233 |
| 560 | 112 | 180 |
| 680 | 100 | 180 |
| 820 | 96 | 180 |
| 1000 | 71 | 180 |
| 2x680 | 60 | 284 |
| 2x820 | 48 | 224 |

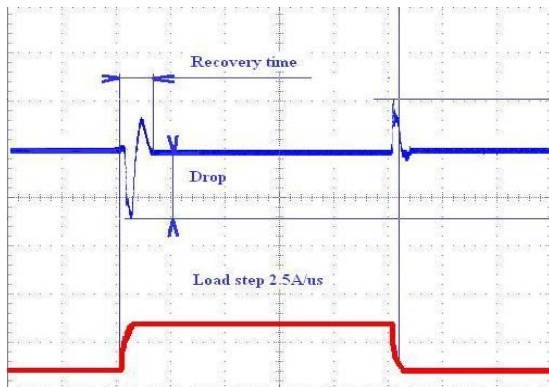


Figure 17. Typical Waveform of Transient Response

A minimum capacitor value is required to sustain the current during the load transient without discharging it. The voltage drop due to the output capacitor discharge is given by the following equation:

$$\Delta V_{OUT-DISCHARGE} = \frac{\Delta I_{OUT}^2 \times L_{OUT}}{2 \times C_{OUT} \times (V_{IN} \times D - V_{OUT})} \quad (eq. 7)$$

Where $V_{OUT-DISCHARGE}$ is the voltage deviation of V_{OUT} due to the effects of discharge, L_{OUT} is the output inductor value and V_{IN} is the input voltage.

Inductor Selection

Both mechanical and electrical considerations influence the selection of an output inductor. From a mechanical perspective, smaller inductor values generally correspond to smaller physical size. Since the inductor is often one of the largest components in the regulation system, a minimum inductor value is particularly important in space-constrained applications. From an electrical perspective, the maximum current slew rate through the output inductor for a buck regulator is given by:

$$SlewRate_{L_{OUT}} = \frac{V_{IN} - V_{OUT}}{L_{OUT}} \quad (eq. 8)$$

This equation implies that larger inductor values limit the regulator’s ability to slew current through the output inductor in response to output load transients. Consequently, output capacitors must supply the load current until the inductor current reaches the output load current level. This results in larger values of output capacitance to maintain tight output voltage regulation. In contrast, smaller values of inductance increase the regulator’s maximum achievable slew rate and decrease the necessary capacitance, at the expense of higher ripple current. The peak-to-peak ripple current is given by the following equation:

$$I_{pk-pk_{L_{OUT}}} = \frac{V_{OUT}(1 - D)}{L_{OUT} \times 275 \text{ kHz}} \quad (eq. 9)$$

Where $I_{pk-pk_{L_{OUT}}}$ is the peak to peak current of the output. From this equation it is clear that the ripple current increases as L_{OUT} decreases, emphasizing the trade-off between dynamic response and ripple current. In order to achieve high efficiency, coils with a low value of Direct Current Resistance (DCR) have to be used. For example: Coilcraft MLC1555-302ML and SER2013-362ML).

Feedback and Compensation

The output voltage is adjustable from 0.8 V to 5 V as shown in Table 2. The adjustment method requires an external resistor divider with its center tap tied to the FB pin. It is recommended to have a resistance between 1.5 k Ω and 5 k Ω . The selection of low value resistors reduces efficiency, alternatively high value resistance of R2 causes decrease in output voltage accuracy due to the bias current in the error amplifier. The output voltage error of this bias current can be estimated by using the following equation:

$$\text{Error}(\%) = \frac{R2 * I_{\text{bias}}}{V_{\text{REF}}} * 100 \quad (\text{eq. 10})$$

$$\text{Error} = R2 * 1.25 * 10^{-5} (\%)$$

Once R2 is calculated above R3 can be calculated to select the desired output voltage as shown in the following equation:

$$R3 = \frac{V_{\text{REF}}}{V_{\text{OUT}} - V_{\text{REF}}} * R2 \quad (\text{eq. 11})$$

Table 2 shows R3 values for frequently used output voltages.

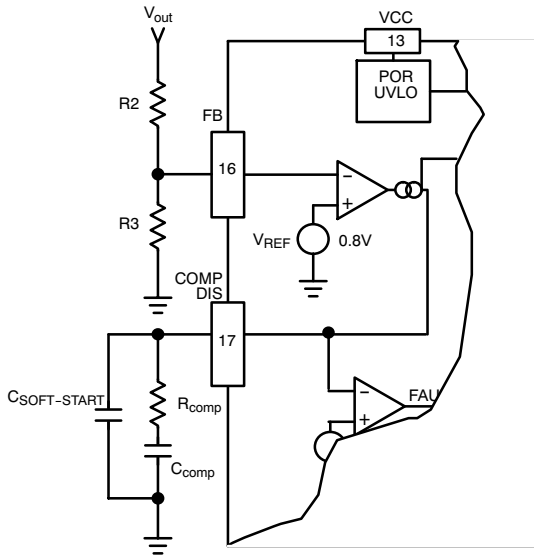


Figure 18. FB circuit

Table 2. OUTPUT VOLTAGES AND DIVIDER RESISTORS

| V _{OUT} (V) | R2 (kΩ) | R3 (kΩ) E24 | R3 (kΩ) Calculated |
|----------------------|---------|-------------|--------------------|
| 0.8 | 1.8 | None | None |
| 1.0 | 0.51 | 2.0 | 2.040 |
| 1.2 | 0.75 | 1.5 | 1.500 |
| 1.5 | 1.3 | 1.5 | 1.486 |
| 1.8 | 1.6 | 1.3 | 1.280 |
| 2.5 | 1.6 | 0.75 | 0.753 |
| 3.3 | 1.6 | 0.51 | 0.512 |
| 5.0 | 2.7 | 0.51 | 0.514 |

Figure 18 shows a typical Type II operational transconductance error amplifier (OTA). The compensation network consists of the internal error amplifier and the impedance networks Z_{IN} (R3) and external Z_{FB} (R_{comp}, C_{comp} and C_{soft-start}). The compensation network has to provide a closed loop transfer function with the highest 0 dB crossing frequency to have fast response (but always lower than f_{SW}/8) and the highest gain in DC conditions to minimize the load regulation. A stable control loop has a gain crossing with -20 dB/decade slope and a phase margin greater than 45°. Include worst-case component variations when determining phase margin. Loop stability is defined by

the compensation network around the OTA, the output capacitor, output inductor and the output divider. Figure 19 shows the open loop and closed loop gain plots. It is possible to use Compensation Calculator Software Tool from ON Semiconductor website. This tool can be downloaded from <http://www.onsemi.com>.

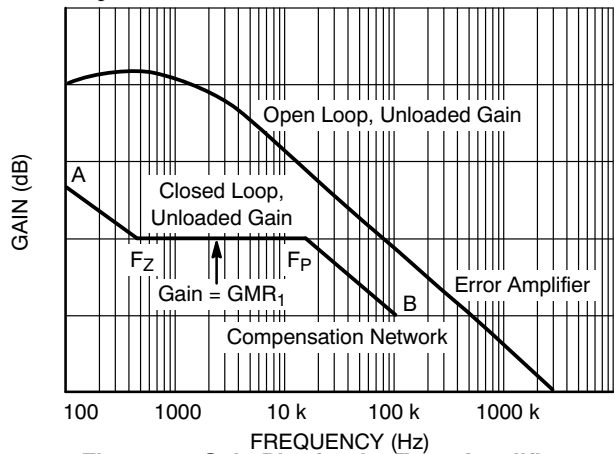


Figure 19. Gain Plot for the Error Amplifier

Thermal Considerations

The package thermal resistance can be obtained from the specifications section of this data sheet and a calculation can be made to determine the NCP3102 junction temperature. However, it should be noted that the physical layout of the board, the proximity of other heat sources such as MOSFETs and inductors, and the amount of metal connected to the NCP3102, impact the temperature of the device. The PCB is used also as the heatsink. Double or multi layer PCBs with thermal vias between places with the same electrical potential increase cooling area. A 70 μm thick copper plating is a good solution to eliminate the need for an external heatsink.

Layout Considerations

When designing a high frequency switching converter, layout is very important. Using a good layout can solve many problems associated with these types of power supplies as transient occur.

External compensation components (R1, C9) are needed for converter stability. They should be placed close to the NCP3102. The feedback trace is recommended to be kept as far from the inductor and noisy power traces as possible. The resistor divider and feedback acceleration circuit (R2, R3, R6, C13) is recommended to be placed near to input FB (Pin 16, NCP3102).

Switching current from one power device to another can generate voltage transients across the impedances of the interconnecting bond wires and circuit traces. These interconnecting impedances should be minimized by using wide, short printed circuit traces. The critical components should be located together as close as possible using ground plane construction or single point grounding. The inductor and output capacitors should be located together as close as possible to the NCP3102.

NCP3102

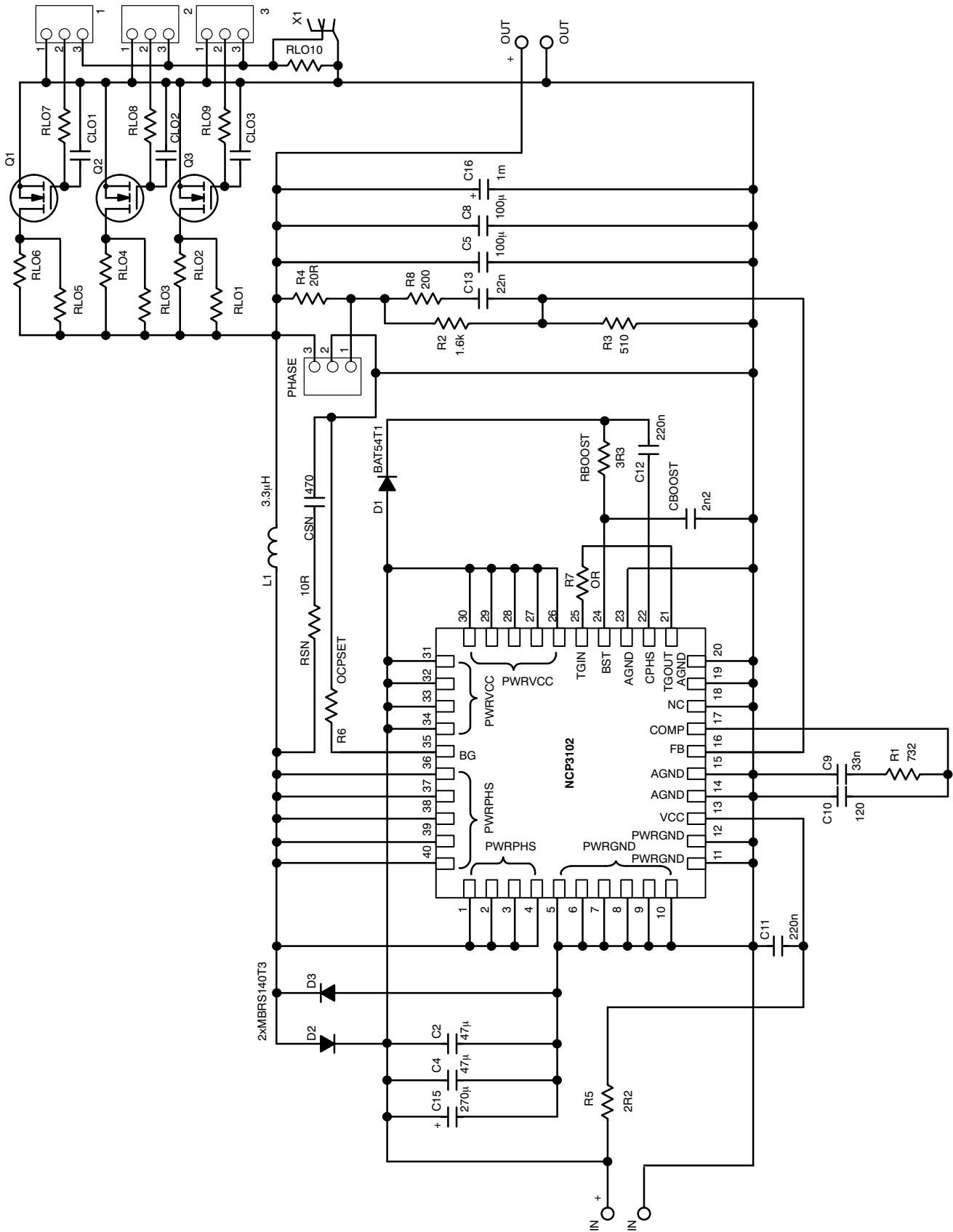


Figure 20. Schematic Diagram of NCP3102 Evaluation Board

NCP3102

Schematic diagram of the NCP3102 demoboard is shown in Figure 20 and the actual PCB layout is shown in Figure 21. The corresponding bill of material is summarized in Table 3. Parameters of the board were tested with Input voltage $V_{in} = 5\text{ V}$ to 13.2 V and with various output loads between 0 A and 10 A . The board includes a few components used for transient measurements. The load current range can be selected by switches 1 to 3 to give a range of $0\text{ A} - 10\text{ A}$ with 2.5 A steps. A square wave signal with a 10% duty cycle and a 10 V amplitude has to be connected to the X1 connector to enable the load testing.

NCP3102

Table 3. BILL OF MATERIAL

| Position | Value | Description | Part No: | Footprint | Quantity | Manufacturer |
|----------|-----------|--------------|----------------------|-----------|----------|------------------|
| R1 | 732Ω | Resist. SMD | RMC1/8W 1206 1% 732R | 1206 | 1 | MULTICOMP |
| R2 | 1.6kΩ | Resist. SMD | RMC1/8W 1206 1% 1K6 | 1206 | 1 | MULTICOMP |
| R3 | 510Ω | Resist. SMD | RMC1/8W 1206 1% 510R | 1206 | 1 | MULTICOMP |
| RBOOST | 3.3Ω | Resist. SMD | 232273463308 | 1206 | 1 | PHYCOMP |
| R5 | 2.2Ω | Resist. SMD | 232272462208 | 1206 | 1 | PHYCOMP |
| R6 | OCP set. | Resist. SMD | | 1206 | 1 | |
| R7 | 0Ω | Resist. SMD | TL2BR010FTE | 1206 | 1 | TYCO ELECT. |
| R8 | 200Ω | Resist. SMD | WCR 1206 200R 2%. | 1206 | 1 | WELWYN |
| RSN | 10Ω | Resist. SMD | 232271161109 | 1206 | 1 | PHYCOMP |
| R4* | 20Ω | Resist. SMD | RCA120620R0FKEA | 1206 | 1 | VISHAY |
| RLO1* | 1.0Ω | Resistor 1W | MCF 1W 1R | Special | 1 | MULTICOMP |
| RLO2* | 1.8Ω | Resistor 1W | MCF 1W 1R8 | Special | 1 | MULTICOMP |
| RLO3* | 2.2Ω | Resistor 1W | MCF 1W 2R2 | Special | 1 | MULTICOMP |
| RLO4* | 3.3Ω | Resistor 1W | MCF 1W 3R3 | Special | 1 | MULTICOMP |
| RLO5* | 2.2Ω | Resistor 1W | MCF 1W 2R2 | Special | 1 | MULTICOMP |
| RLO6* | 3.3Ω | Resistor 1W | MCF 1W 3R3 | Special | 1 | MULTICOMP |
| RLO7* | 1kΩ | Resist. SMD | 232272461002 | 1206 | 1 | PHYCOMP |
| RLO8* | 1kΩ | Resist. SMD | 232272461002 | 1206 | 1 | PHYCOMP |
| RLO9* | 1kΩ | Resist. SMD | 232272461002 | 1206 | 1 | PHYCOMP |
| RLO10* | 75Ω | Resist. SMD | RMC1/8W 1206 1% 75R | 1206 | 1 | MULTICOMP |
| C2, C4 | 47μF | Capac. Ceram | C1210C476M9PAC7800 | 1210 | 2 | KEMET |
| C15 | 0.27mF | Cap.OS-CON | 16SP270M | Special | 1 | SANYO |
| C16 | 1mF | Cap.OS-CON | 4SP1000M | Special | 1 | SANYO |
| C5, C8 | 100μF | Capac. Ceram | CS1210C107M9PAC7800 | 1210 | 2 | KEMET |
| CBOOST | 2.2nF | Capac. Ceram | 12067C222KAT2A | 1206 | 1 | AVX |
| C11, C12 | 220nF | Capac. Ceram | 12065G224ZAT2A | 1206 | 1 | AVX |
| C9 | 33nF | Capac. Ceram | B37972K5333K-MR | 1206 | 1 | TYCHO ELECT. |
| C10 | 120pF | Capac. Ceram | 2250 001 11537 | 1206 | 1 | PHYCOMP |
| C13 | 22nF | Capac. Ceram | 2238 581 15641 | 1206 | 1 | PHYCOMP |
| CSN | 470pF | Capac. Ceram | 12067A471JAT1A | 1206 | 1 | AVX |
| CLO1-3* | 470pF | Capac. Ceram | 12067A471JAT1A | 1206 | 1 | AVX |
| D1 | BAT54T1 | Diode | BAT54T1G | SOD123 | 1 | ON Semiconductor |
| D2-3 | MBRS140T3 | Diode | MBRS140T3G | SMB | 2 | ON Semiconductor |
| L1 | 3.3μH | Coil | DO5010H-332M | DO5010H | 1 | Coilcraft |
| Q1-3* | NTD4810 | MOSFET | NTD4810NH | DPAK | 3 | ON Semiconductor |
| IC1 | NCP3102 | I.C. | NCP3102MNTXG | QFN40 | 1 | ON Semiconductor |

Parts marked with "" and highlighted in grey are only necessary for transient response and PHASE-GAIN feedback measuring.

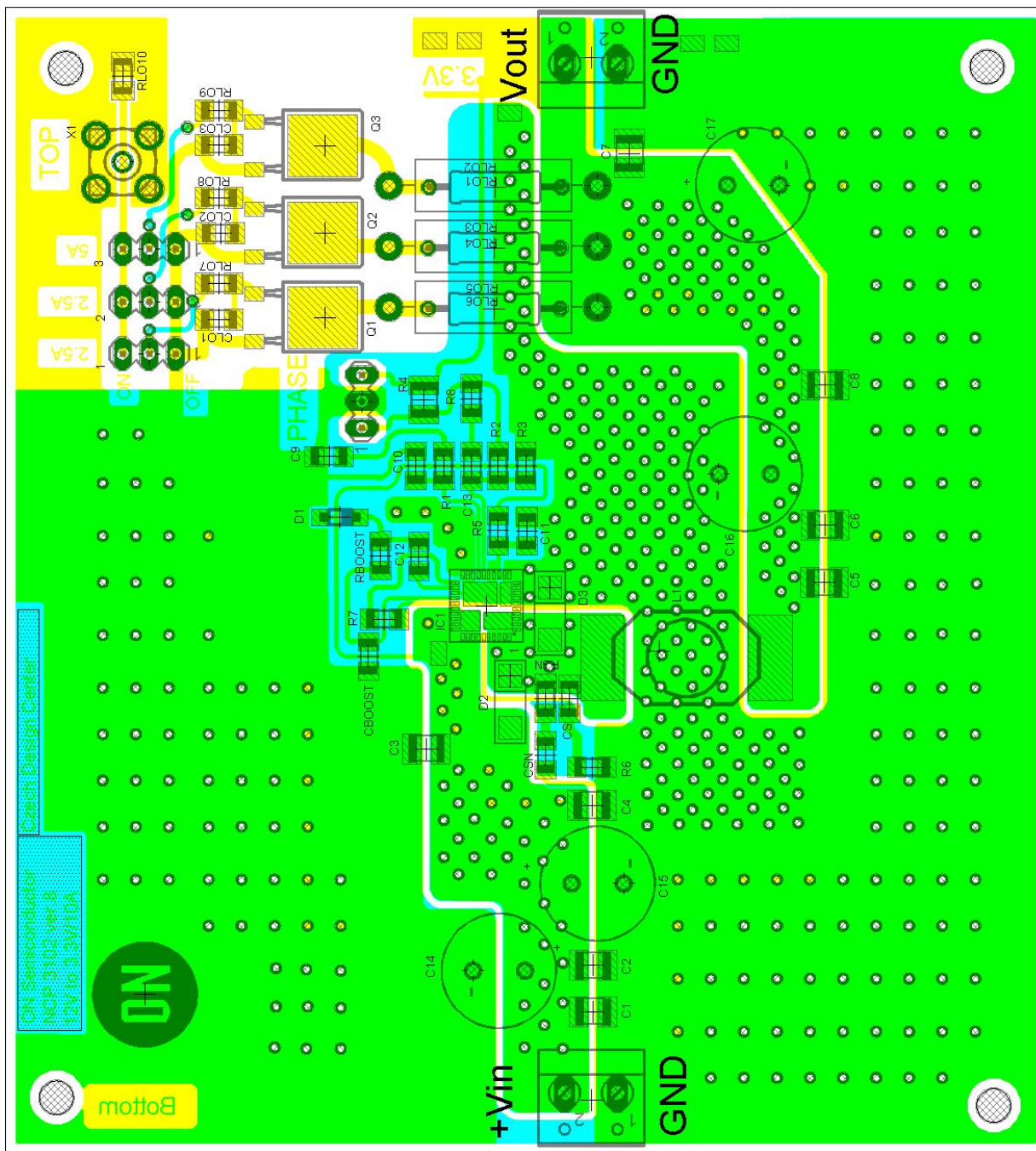


Figure 21. PCB Layout Evaluation Board (110mm x 100mm)

NCP3102

Measured Performance of NCP3102 Demoboard is Shown in Figures 22 Through 25.

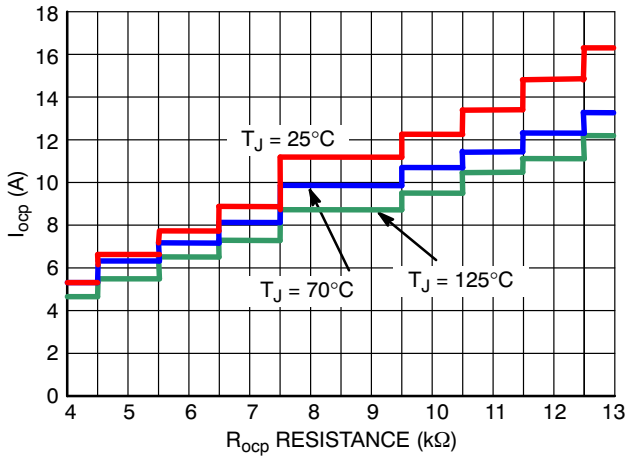


Figure 22. Overcurrent Protection

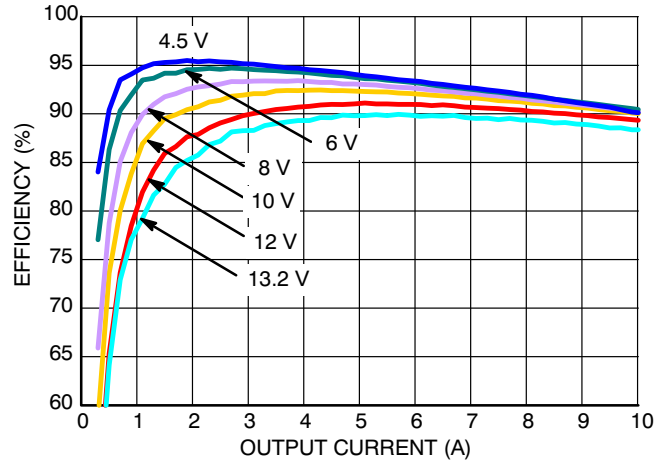


Figure 23. Efficiency ($V_{out} = 3.3\text{ V}$)

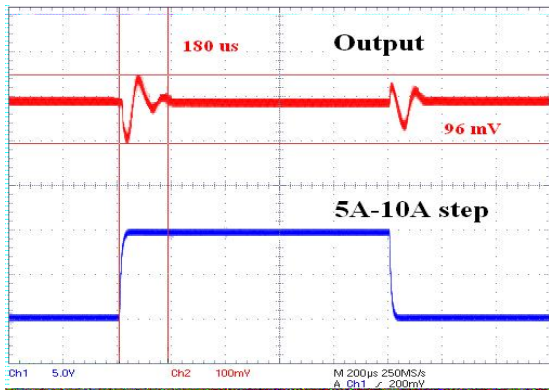


Figure 24. Transient Response ($V_{in} = 12\text{ V}$, $V_{out} = 3.3\text{ V}$, $I_{out} = 5\text{ A}$ to 10 A Step) Output Capacitors: 2x MLCC $100\ \mu\text{F}$ and $820\ \mu\text{F}$ OS-CON

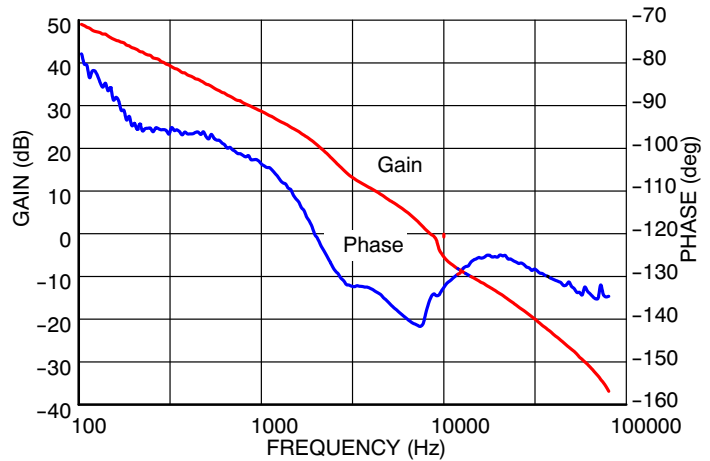


Figure 25. Feedback Frequency Response ($V_{in} = 12\text{ V}$, $V_{out} = 3.3\text{ V}$)

NCP3102

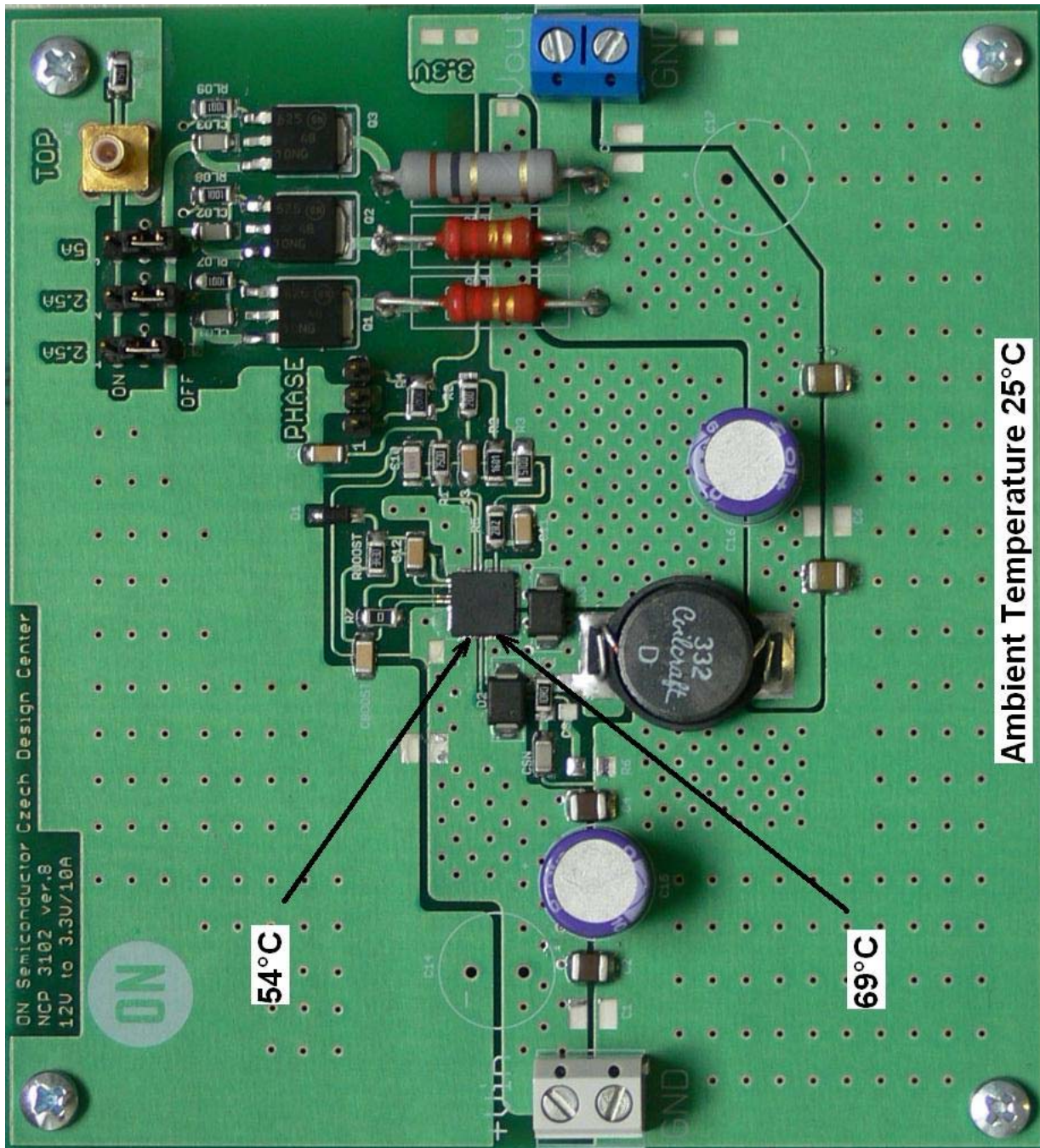


Figure 26. Temperature Conditions ($V_{in} = 12\text{ V}$, $V_{out} = 3.3\text{ V}$, $I_{out} = 10\text{ A}$) Steady State, No Additional Cooling

ORDERING INFORMATION

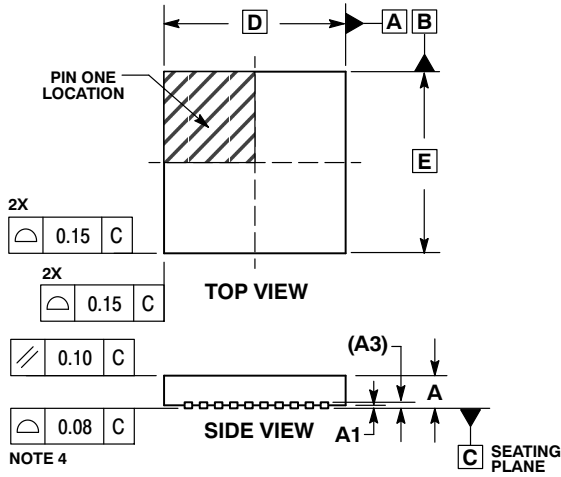
| Device | Package | Temperature Grade | Shipping [†] |
|---------------|--------------------|--------------------|-----------------------|
| NCP3102MNTXG | QFN40 (Pb-Free) | For 0°C to +70°C | 2500 / Tape & Reel |
| NCP3102BMNTXG | QFN40 (Pb-Free) | For -40°C to +85°C | 2500 / Tape & Reel |

[†]For information on tape and reel specifications, including part orientation and tape sizes, please refer to our Tape and Reel Packaging Specifications Brochure, BRD8011/D.

NCP3102

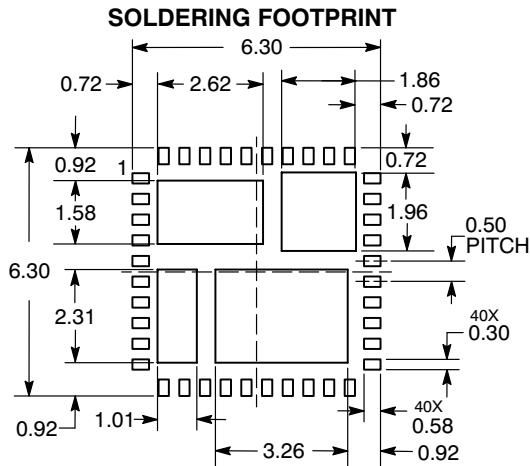
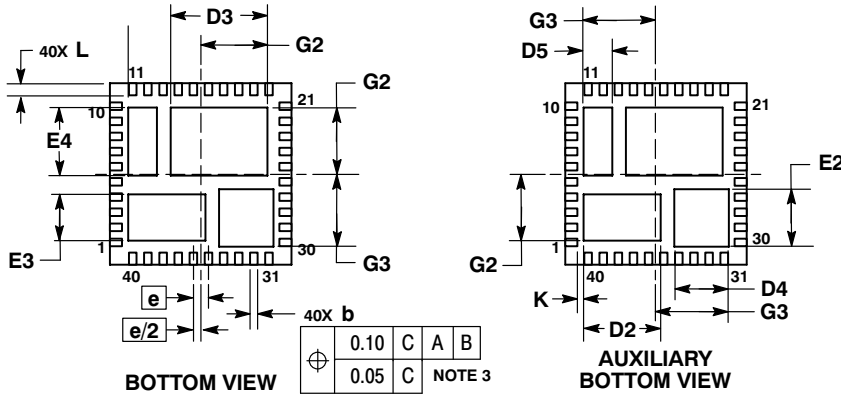
PACKAGE DIMENSIONS

QFN40 6x6, 0.5P
CASE 485AK-01
ISSUE A




- NOTES:
1. DIMENSIONING AND TOLERANCING PER ASME Y14.5M, 1994.
 2. CONTROLLING DIMENSIONS: MILLIMETERS.
 3. DIMENSION b APPLIES TO PLATED TERMINAL AND IS MEASURED BETWEEN 0.15 AND 0.30mm FROM TERMINAL
 4. COPLANARITY APPLIES TO THE EXPOSED PAD AS WELL AS THE TERMINALS.

| DIM | MILLIMETERS | |
|-----|-------------|------|
| | MIN | MAX |
| A | 0.80 | 1.00 |
| A1 | --- | 0.05 |
| A3 | 0.20 | REF |
| b | 0.18 | 0.30 |
| D | 6.00 | BSC |
| D2 | 2.45 | 2.65 |
| D3 | 3.10 | 3.30 |
| D4 | 1.70 | 1.90 |
| D5 | 0.85 | 1.05 |
| E | 6.00 | BSC |
| E2 | 1.80 | 2.00 |
| E3 | 1.43 | 1.63 |
| E4 | 2.15 | 2.35 |
| e | 0.50 | BSC |
| G2 | 2.10 | 2.30 |
| G3 | 2.30 | 2.50 |
| K | 0.20 | --- |
| L | 0.30 | 0.50 |



DIMENSIONS: MILLIMETERS

NCP3102

ON Semiconductor and  are registered trademarks of Semiconductor Components Industries, LLC (SCILLC). SCILLC reserves the right to make changes without further notice to any products herein. SCILLC makes no warranty, representation or guarantee regarding the suitability of its products for any particular purpose, nor does SCILLC assume any liability arising out of the application or use of any product or circuit, and specifically disclaims any and all liability, including without limitation special, consequential or incidental damages. "Typical" parameters which may be provided in SCILLC data sheets and/or specifications can and do vary in different applications and actual performance may vary over time. All operating parameters, including "Typicals" must be validated for each customer application by customer's technical experts. SCILLC does not convey any license under its patent rights nor the rights of others. SCILLC products are not designed, intended, or authorized for use as components in systems intended for surgical implant into the body, or other applications intended to support or sustain life, or for any other application in which the failure of the SCILLC product could create a situation where personal injury or death may occur. Should Buyer purchase or use SCILLC products for any such unintended or unauthorized application, Buyer shall indemnify and hold SCILLC and its officers, employees, subsidiaries, affiliates, and distributors harmless against all claims, costs, damages, and expenses, and reasonable attorney fees arising out of, directly or indirectly, any claim of personal injury or death associated with such unintended or unauthorized use, even if such claim alleges that SCILLC was negligent regarding the design or manufacture of the part. SCILLC is an Equal Opportunity/Affirmative Action Employer. This literature is subject to all applicable copyright laws and is not for resale in any manner.

PUBLICATION ORDERING INFORMATION

LITERATURE FULFILLMENT:

Literature Distribution Center for ON Semiconductor
P.O. Box 5163, Denver, Colorado 80217 USA
Phone: 303-675-2175 or 800-344-3860 Toll Free USA/Canada
Fax: 303-675-2176 or 800-344-3867 Toll Free USA/Canada
Email: orderlit@onsemi.com

N. American Technical Support: 800-282-9855 Toll Free
USA/Canada
Europe, Middle East and Africa Technical Support:
Phone: 421 33 790 2910
Japan Customer Focus Center
Phone: 81-3-5773-3850

ON Semiconductor Website: www.onsemi.com
Order Literature: <http://www.onsemi.com/orderlit>
For additional information, please contact your local
Sales Representative