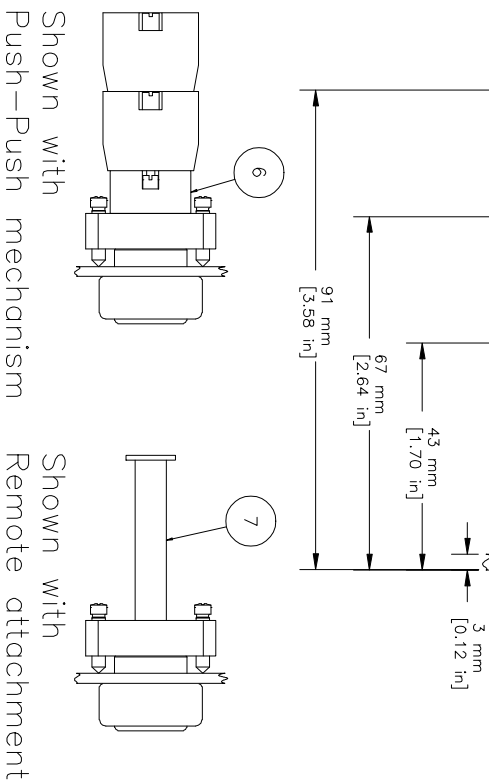
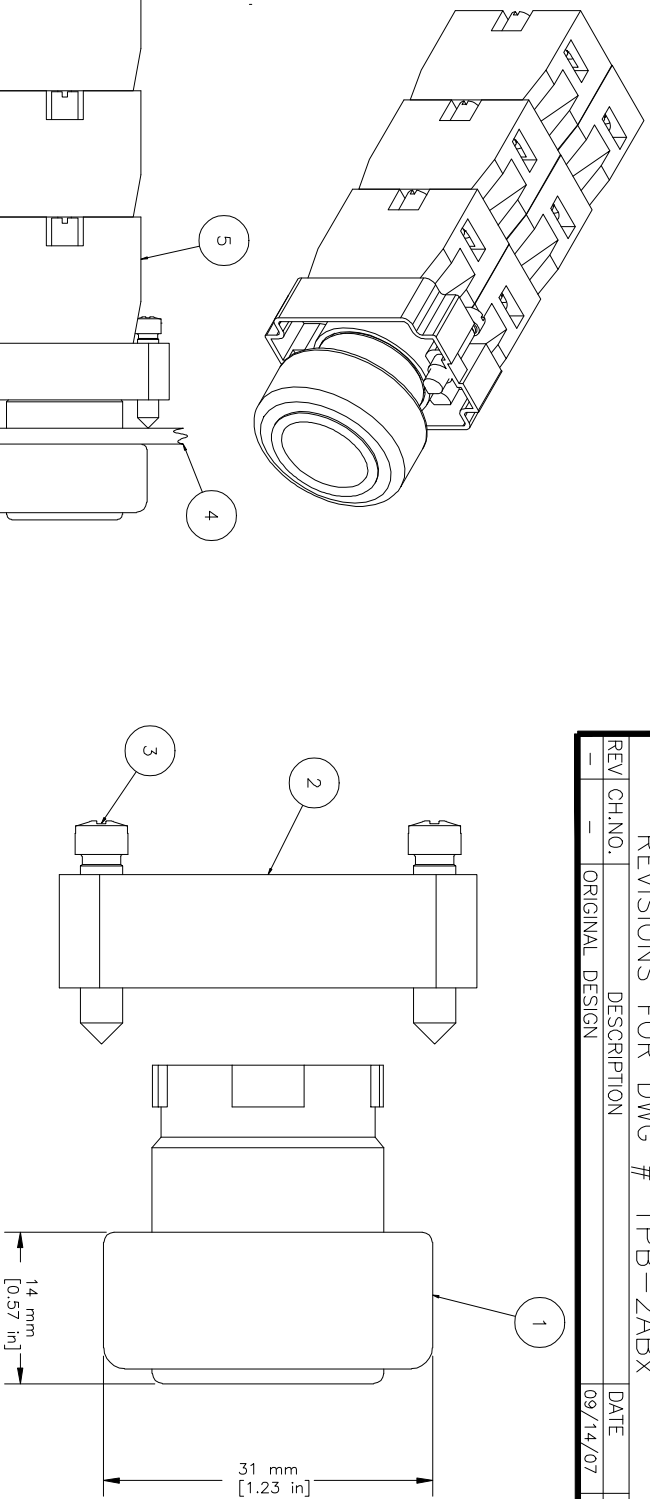


REVISIONS FOR DWG # 1PB-2ABx			
REV. CH. NO.	DESCRIPTION	DATE	REVISED BY
-	ORIGINAL DESIGN	09/14/07	Phil E.



ITEM	DESCRIPTION	CAT. NO.	COLOR	MIN. QTY.	MAX. QTY.
1	Booted Operator (comes with mounting bracket)	ZAB1	White	1	1
		ZAB2	Black	1	1
		ZAB3	Green	1	1
		ZAB4	Red	1	1
		ZAB6	Blue	1	1
		ZAB8	Yellow	1	1
2	Mounting Bracket	ZBRK	-	1	1
3	Mounting Bracket Screws	Incl. in ZBRK	-	2	2
4	Panel	-	-	-	-
5	Switch Contacts	S1	Green	1	6
		S2	Red	1	6
		S3	Green/Gray	1	6
		S4	Red/Gray	1	6
6	Maintained Action Block	ZPPM	Black	1	1
7	Remote Attachment	Add Suffix "RR"	-	1	1

TITLE: 22 mm Non-Illuminated Booted Momentary 2ABx (x=color)

DRAWN BY: Philipp Ernstberger	09/14/07	DRAWING NO.: 1PB-2ABx	REV.: -
CHECKED BY: Laszlo Gyorgypal	09/14/07	SCALE: -	SHEET: 1 OF: 1
RELEASED BY: Laszlo Gyorgypal	09/14/07		

UNLESS OTHERWISE SPECIFIED
 ALL DIMENSIONS ARE IN MILLIMETERS
 THIRD ANGLE PROJECTION

TOLERANCE

XX	±1 mm
XX X	±0.5 mm
XX.XX	±0.2 mm
ALL	- mm

This Drawing is the property of
Altech Corp.
 35 Royal Road
 Flemington NJ 08822-6000
 (908) 806-9400 • Fax (908) 806-9490

AND IS A CONFIDENTIAL DISCLOSURE
 LENT WITHOUT CONSIDERATION OTHER
 THAN THE BORROWER'S AGREEMENT
 THAT IT SHALL NOT BE REPRODUCED,
 COPIED, LENT, OR DISPOSED OF
 DIRECTLY OR INDIRECTLY NOR USED
 FOR ANY PURPOSE OTHER THAN THAT
 FOR WHICH IT IS SPECIFICALLY
 FURNISHED.