

6

5

4

3

2

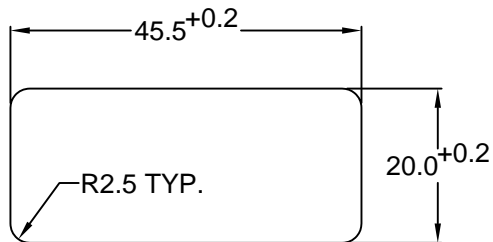
1

MATERIAL AND FINISH:

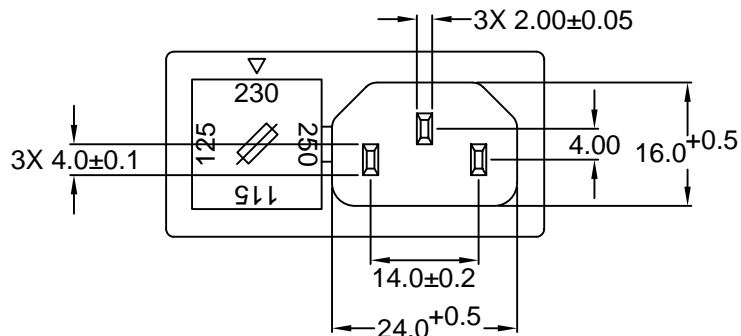
Insulator: Polycarbonate, UL-94V-0 rated
Contacts: Copper, Tin plated

ELECTRICAL SPECIFICATIONS:

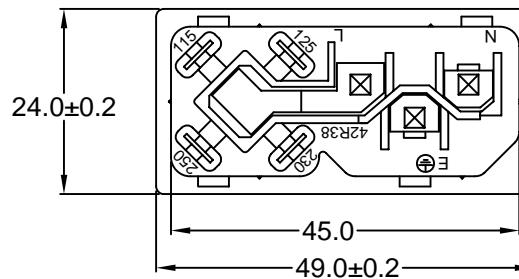
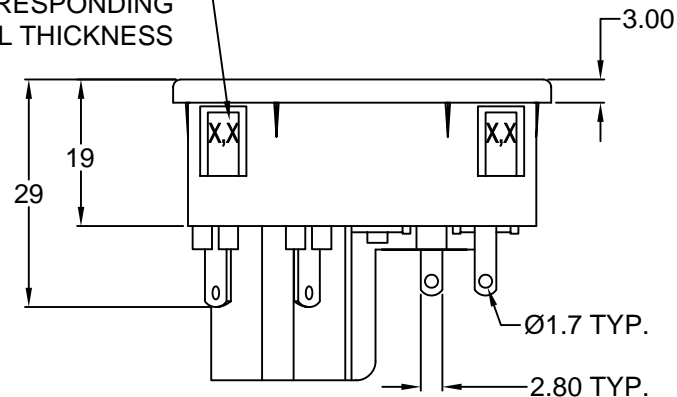
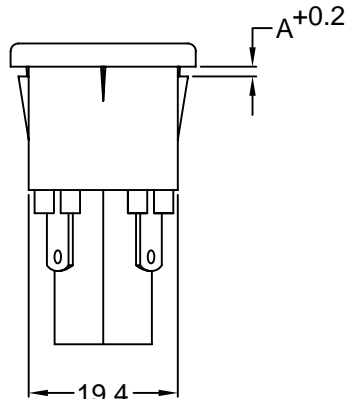
Current rating: 10 A
Voltage rating: 250 VAC
Insulation resistance: 100 Mohm min. at 500 VDC
Dielectric withstanding voltage: 2000 VAC for one minute



RECOMMENDED PANEL CUTOUT



REPLACE WITH CORRESPONDING PANEL THICKNESS



ORDERING CODE:

42R38-3 2 - 3
 1 2 3

1) COLOR

- 1 = BLACK
- 2 = GRAY

2) ELECTRICAL CIRCUIT CONFIGURATION

1 = 10A 250V 70°C
2+GROUND



2 = 10A 250V 120°C
2+GROUND



4 = 10A 250V 70°C
2 POLE



3) PANEL THICKNESS

RoHS COMPLIANT

REV	DATE	CHANGE	CHKG	CHKD	APPR

P/N	A	MAX. PANEL THICKNESS
42R38-3X2X-150	1.5	1.5
42R38-3X2X-200	2.0	2.0
42R38-3X2X-250	2.5	2.5

ADDITIONAL PANEL THICKNESS AVAILABLE ON REQUEST

TOLERANCE UNLESS OTHERWISE SPECIFIED	
X	± 1
X.X	± 0.4
X.XX	± 0.20
DRAWN BY	GQ
DATE:	09/17/01
CHECK BY	TD
DATE:	09/18/01
APPR BY	PB
DATE:	09/18/01

Power Dynamics, Inc.

Phone: 973 560-0019 Whippany, New Jersey Fax: 973 560-0076

PART: IEC 60320 APPL. INLET AND COMBINATION FUSE HOLDER; SOLDER TERMINALS; SNAP-IN

42R38-3X2X-XXX SHEET 1 of 1

SCALE: NTS ALL DIMENSIONS FOR REFERENCE ONLY DIMENSIONS ARE IN MILLIMETERS REV: