

8 7 6 5 4 3 2 1

ENG. NO.:

EDP NO.:

SIMILAR ITEM

CADFILE NO.:

DO NOT SCALE DRAWING

F

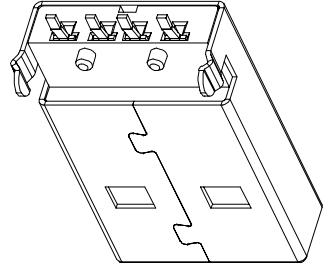
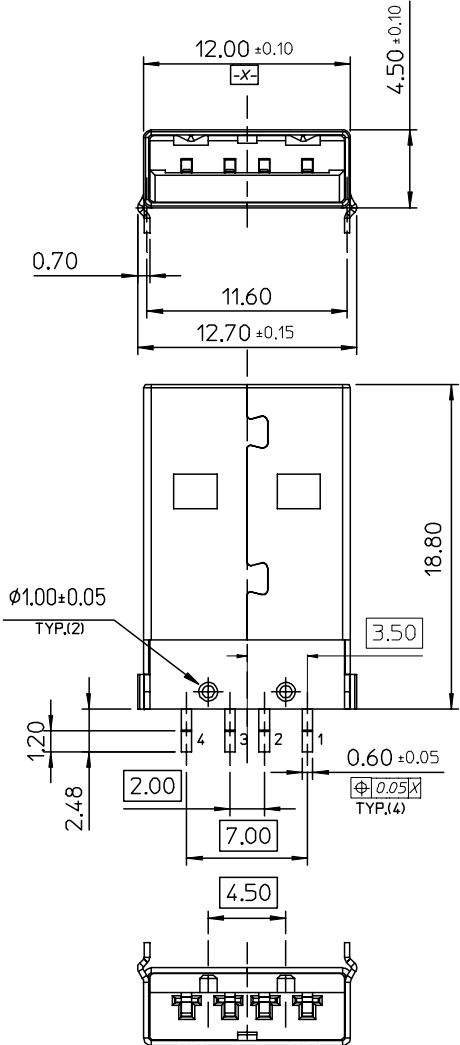
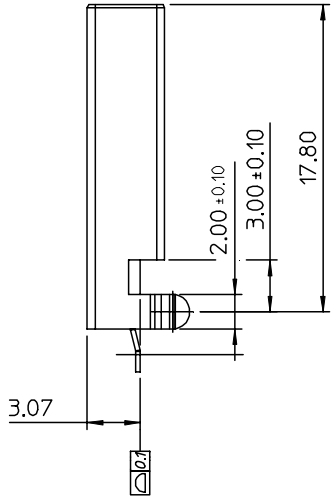
E

D

C

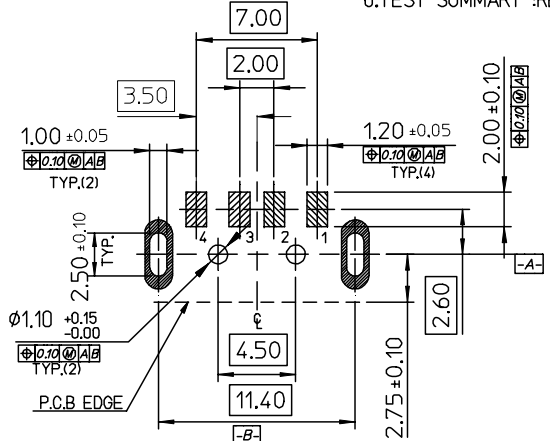
B

A



NOTES:

- 1.MATERIAL:  
SHELL: SPCC  
HOUSING: THERMOPLASTIC, GLASS FIBER FILLED,  
UL 94V-0 RATED.COLOR BLACK.  
CONTACT: BRASS
- 2.PLATING:  
TERMINAL:  
CONTACT AREA:GOLD(Au)  
THICKNESS=30 MICRONCH MINIMUM.  
SOLDER TAIL:TIN(Sn), ALLOY,  
THICKNESS=120 MICRONCH MINIMUM.  
UNDER PLATED:NICKEL(NI),THICKNESS=50 MICRONCH MINIMUM.  
METAL SHELL:  
NICKEL(NI),THICKNESS=120 MICRONCH MINIMUM.  
UNDER PLATE: COPPER(Cu), THICKNESS=50 MICRONCH MINIMUM.
- 3.RECOMMENDED PCB THICKNESS:1.20~1.60mm
- 4.PRODUCT SPECIFICATION:REFER TO PS-48037-001
- 5.PACKAGE SPECIFICATION:SEE TABLE
- 6.TEST SUMMARY :REFER TO TS-48037-001



RECOMMENDED PCB LAYOUT

48037-2000	T&R	PK-48037-200	
48037-1000	TRAY	PK-48037-001	
MOLEX P/N	PACKAGE	PACKAGE SPEC.	REMARK

ADD NEW P/N AND UPDATE PLATING SPEC. EC NO.SH2005-0163 DRWN: KEVIN CHANG CHK: KEVIN CHANG APPR: RTM EC NO.T2004-0067 DRWN: KEVIN CHANG CHK: SAM SHIN APPR:ERICK LAN	QUALITY SYMBOLS MAJOR $\blacktriangledown$ +0 CRITICAL $\nabla$ +0	GENERAL TOLERANCES: (UNLESS SPECIFIED)	SCALE	DESIGN UNITS	THIRD ANGLE PROJECTION DIMENSIONS: <input type="checkbox"/> mm <input type="checkbox"/> INCH <input type="checkbox"/> mm <input checked="" type="checkbox"/> INCH <input type="checkbox"/> mm ONLY	SHT	REV
		4 PLACES    \    \    \    \    \	mm    INCH	DRAWN BY & DATE COLIN DUAN 030822		TITLE: USB A TYPE PLUG R/A CONNECTOR(SMT)	
		3 PLACES    \    \    \    \    \	mm    INCH	CHECKED BY & DATE SAM SHIN 030822		MOLEX INCORPORATED	
		2 PLACES    ±0.25    +0.010	mm    INCH	APPROVED BY & DATE WILSON CHANG 030822			
		1 PLACE    ±0.25    +0.010	mm    INCH	CAD FILENAME S4803702.MI			MATERIAL NO. SEE TABLE
DRAFT WHERE APPLICABLE MUST REMAIN WITHIN DIMENSIONS	ANGULAR: ±3°	THIS DRAWING CONTAINS INFORMATION THAT IS PROPRIETARY TO MOLEX INCORPORATED AND SHOULD NOT BE USED WITHOUT WRITTEN PERMISSION.	SIZE A3				