

NOTES:

1. MATERIAL: HOUSING -LIQUID CRYSTAL POLYMER (LCP) GLASS-FILLED. UL 94-0. COLOR BLACK. SIGNAL & SHIELD -HIGH PERFORMANCE COPPER ALLOY.
2. FINISHES:
CONTACT AREA: SELECTIVE GOLD (Au)
PCB TAILS: SELECTIVE TIN/LEAD (Sn/Pb) OR SELECTIVE MATTE TIN (Sn) NICKEL (Ni) OVERALL.
3. THIS PART CONFORMS TO MOLEX PRODUCT SPECIFICATION PS-74031-999.
4. FOR MIXED CONTACT MATING LENGTHS CONSULT MOLEX FOR AVAILABILITY.
5. FOR SPECIFIC PART NUMBER AND MATING INFORMATION REFER TO SHEET 2.
6. PACKAGE PER PK-74061-003.
7. EITHER MARK PART NUMBER AND DATE CODE APPROXIMATELY WHERE SHOWN OR PLACE LABEL ON THE TUBE.

REVISED - PLATING NOTE EC NO: UCP2006-0051 DRWN:K MULVEY 2005/07/13 CHKD: 2005/07/13 APPR: SREED 2005/07/15	QUALITY SYMBOLS ▽ = 0 ▽ = 0	GENERAL TOLERANCES (UNLESS SPECIFIED)		SCALE 2.5:1	DESIGN UNITS METRIC	THIRD ANGLE PROJECTION	REVISE ON CAD ONLY		
		4 PLACES ± --- ± --- 3 PLACES ± --- ± --- 2 PLACES ± --- ± --- 1 PLACE ± --- ± ---	DIMENSION STYLE MM ONLY	TITLE HSD SALES ASSEMBLY 8 ROW SIGNAL END BACKPLANE					
		DRAFT WHERE APPLICABLE MUST REMAIN WITHIN DIMENSIONS		DRAWN BY MQWANG	DATE 2001/03/22	CHECKED BY JLAURX	DATE 2001/03/27	MOLEX INCORPORATED	
				APPROVED BY CBIXLER	DATE 2001/03/27	MATERIAL NO. SEE SHEET 2	DOCUMENT NO. SD-74650-002	SHEET NO. 1 OF 2	

10 9 8 7 6 5 4 3 2 74650

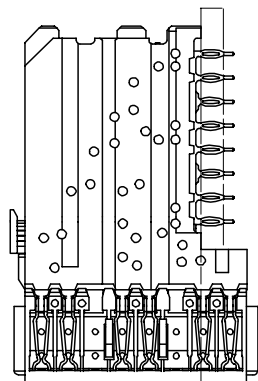
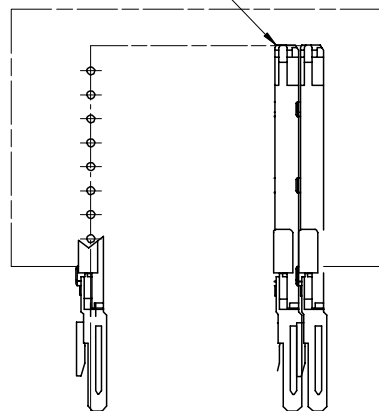
M/N 74650-()	-**0*	-**1*	-**2*	-**3*	-**4*	-**5*	-**6*	-**7*	-**8*
KEYING PIN ORIENTATION	0	A	B	C	D	E	F	G	H

74650-***

NUMBER OF COLUMNS/
PLATING
10=10 COLUMN TIN/LEAD
25=25 COLUMN TIN/LEAD
90=10 COLUMN MATTE TIN
85=25 COLUMN MATTE TIN

CONTACT LOAD
(PIN LENGTH)
1 & 6 = 4.75
2 & 7 = 6.25
3 & 8 = 4.25
4 & 9 = 5.15

DAUGHTERCARD
CONNECTOR SIDE

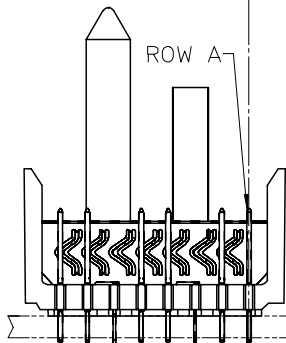
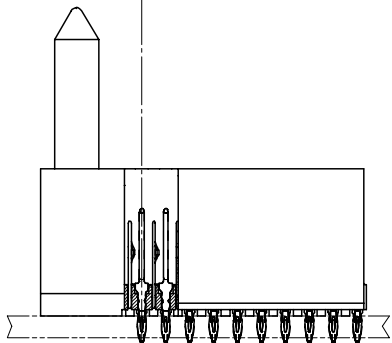


PART NUMBER	COLUMN	NUMBER OF SIGNAL PINS	NUMBER OF SHIELDS	A MAX	B	M	Au (um) MIN THICKNESS	Sn/Pb (um) THICKNESS
74650-*0*1	10	60	10	27.00	18.00	4.75	0.76	0.76-1.52
74650-*0*6							1.27	
74650-*5*1	25	150	25	57.00	48.00	6.25	0.76	
74650-*5*6							1.27	
74650-*0*2	10	60	10	27.00	18.00	4.25	0.76	
74650-*0*7							1.27	
74650-*5*2	25	150	25	57.00	48.00	5.15	0.76	
74650-*5*7							1.27	
74650-*0*3	10	60	10	27.00	18.00	4.75	0.76	
74650-*5*3							1.27	
74650-*5*8	25	150	25	57.00	48.00	4.25	0.76	
74650-*0*4							1.27	
74650-*0*9	10	60	10	27.00	18.00	5.15	0.76	
74650-*5*4							1.27	
74650-*5*9	25	150	25	57.00	48.00		0.76	

0.41
SIGNAL TO SIGNAL

2.45
TOP DAUGHTERCARD
PCB TO CENTER OF
ROW A

ROW A



SEE SHEET 1 EC NO: UCP2006-0051 DRW: KMULVEY 2005/07/13 CHKD: 2005/07/13 APPR: SREED 2005/07/15	QUALITY SYMBOLS	GENERAL TOLERANCES (UNLESS SPECIFIED)	SCALE 2.5:1	DESIGN UNITS METRIC	THIRD ANGLE PROJECTION	REVISE ON CAD ONLY
	DESCRIPTION	mm INCH	DIMENSION STYLE MM ONLY	TITLE	HSD SALES ASSEMBLY 8 ROW SIGNAL END BACKPLANE	
	▽ 0	4 PLACES ± --- ± ---	DRAWN BY DATE	MOLEX INCORPORATED		
	▽ 0	3 PLACES ± --- ± ---	MQWANG 2001/03/22	MATERIAL NO. DOCUMENT NO. SHEET NO.		
		2 PLACES ± --- ± ---	CHECKED BY DATE	SEE TABLE	SD-74650-002	2 OF 2
		1 PLACE ± --- ± ---	JLAURX 2001/03/27	THIS DRAWING CONTAINS INFORMATION THAT IS PROPRIETARY TO MOLEX INCORPORATED AND SHOULD NOT BE USED WITHOUT WRITTEN PERMISSION		
		ANGULAR ±1/2°	APPROVED BY DATE			
		DRAFT WHERE APPLICABLE	CBIXLER 2001/03/27			
		MUST REMAIN WITHIN DIMENSIONS				

8 7 6 5 4 3 2 1