

**PLEASE CHECK WWW.MOLEX.COM FOR LATEST PART INFORMATION**

**Part Number:** [0190670079](#)  
**Status:** **Active**  
**Description:** NylaKrimp™ Funnel Entry Ring Tongue Terminal for 4 AWG Wire, Stud #8

**Documents:**

[Drawing \(PDF\)](#) [RoHS Certificate of Compliance \(PDF\)](#)

**Agency Certification**

CSA LR18689  
 UL E32244

**General**

Product Family Ring and Spade Terminals  
 Series [19067](#)  
 Comments Type II Insulated; Class 2  
 Crimp Quality Equipment Yes  
 Mil-Spec AS25036-124, MS25036-124  
 Product Name NylaKrimp™  
 Type Ring

**Physical**

Barrel Type Closed - Brazed  
 Flammability 94V-0  
 Insulation Nylon (PA)  
 Material - Plating Mating Tin  
 Packaging Type Bag  
 Plating min: Mating (µin) 100  
 Plating min: Mating (µm) 2.5  
 Plating min: Termination (µin) 100  
 Plating min: Termination (µm) 2.5  
 Stud Size 5/16" (M8)  
 Termination Interface: Style Crimp or Compression  
 Wire Insulation Diameter 12.95mm (.510") max.  
 Wire Size AWG 4

**Material Info**

Old Part Number F-966-56

**Reference - Drawing Numbers**

Sales Drawing SD-19067-018



**EU RoHS**

**ELV and RoHS Compliant**

**REACH SVHC**

**Contains SVHC: No**

**Halogen-Free**

**Status**

**Not Reviewed**

**China RoHS**



**Need more information on product environmental compliance?**

Email [productcompliance@molex.com](mailto:productcompliance@molex.com)  
 For a multiple part number RoHS Certificate of Compliance, [click here](#)

Please visit the [Contact Us](#) section for any non-product compliance questions.

**Search Parts in this Series**

[19067Series](#)

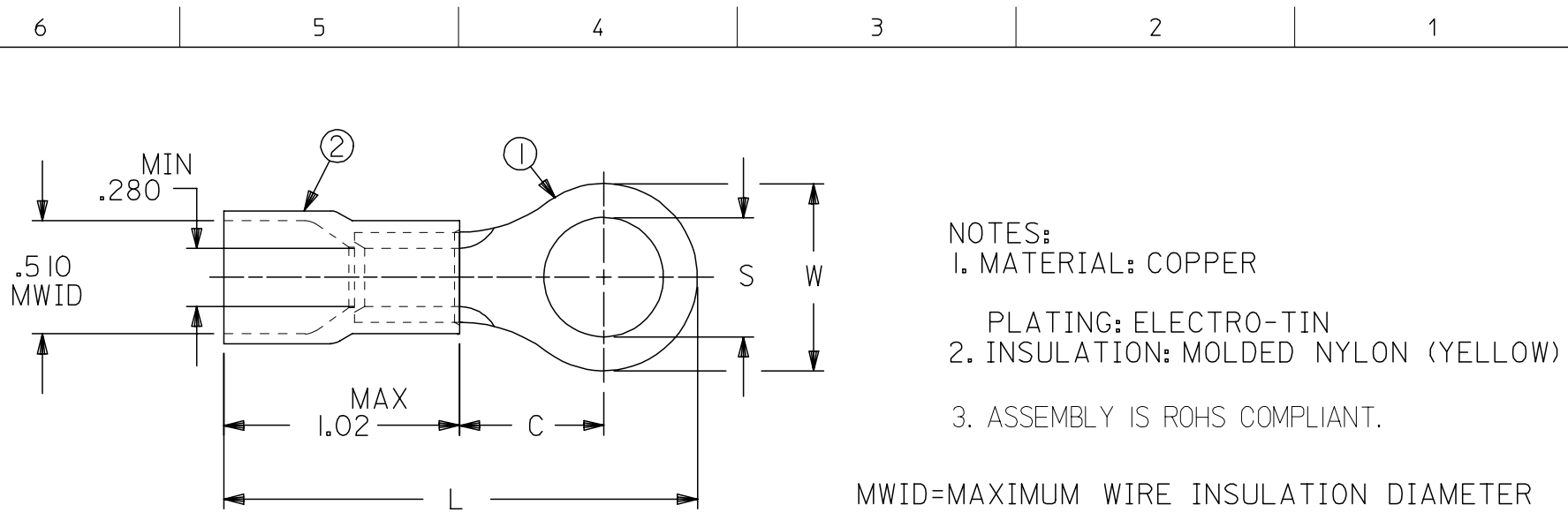
**Application Tooling | [FAQ](#)**

*Tooling specifications and manuals are found by selecting the products below. Crimp Height Specifications are then contained in the Application Tooling Specification document.*

**Global**

Description	Product #
Manual Putt Pump Hydraulic System, Die set required	<a href="#">0192860117</a>
Die Set (large) for the HHLS Hydraulic Crimper	<a href="#">0192890007</a>
Putt Pump Dieless Head System	<a href="#">0192860065</a>
Hand Crimp Tool	<a href="#">0640013900</a>

**PLEASE CHECK [WWW.MOLEX.COM](http://WWW.MOLEX.COM) FOR LATEST PART INFORMATION**



NOTES:  
 1. MATERIAL: COPPER  
 PLATING: ELECTRO-TIN  
 2. INSULATION: MOLDED NYLON (YELLOW)  
 3. ASSEMBLY IS ROHS COMPLIANT.

MWID=MAXIMUM WIRE INSULATION DIAMETER

STUD SIZE	"S" ±.005
02	.094
04	.119
06	.146
08	.173
10	.198
14	.265
56	.328
38	.390
76	.453
12	.515
209	.209
413	.413

PART NUMBER	"W" ±.010	"C" MIN	"L" MAX	AVAILABLE STUD SIZES	THICKNESS REF
F-966-	.668	.520	1.95	209, 413, 10, 14, 56, 38, 76, 12	.067
F-967-	.475	.520	1.85	10, 14, 56	.067
F-969-	.885	.989	2.53	10, 14, 56, 38, 76, 12, 58	.070
F-970-	1.260	.989	2.72	14, 56, 38, 76, 12, 58, 34	.070

REDWIN W/REDUCED THICKNESS EC NO: ETC2007-0019 DRAWN: EHILE 2007/08/22 CHK'D: JMACNEIL 2007/09/11 APPR: JMACNEIL 2007/09/19	DESCRIPTION A	QUALITY SYMBOLS ▽=0 ▽=0	GENERAL TOLERANCES (UNLESS SPECIFIED)		DIMENSION STYLE INCH ONLY		SCALE ---	DESIGN UNITS INCH	THIRD ANGLE PROJECTION		
					mm	INCH	DRAWN BY RCM	DATE 1994/03/16	TITLE RING TONGUE TERMINAL, FUNNEL ENTRY NYLAKRIMP, 4 AWG		
					4 PLACES ± --- ± ---	3 PLACES ± --- ± ---	CHECKED BY ---				
					ANGULAR ± --- °		APPROVED BY ---		DATE ---	MOLEX INCORPORATED DOCUMENT NO. SD-19067-018 SHEET NO. 1 OF 1	
		DRAFT WHERE APPLICABLE MUST REMAIN WITHIN DIMENSIONS		MATERIAL NO. SEE CHART							