

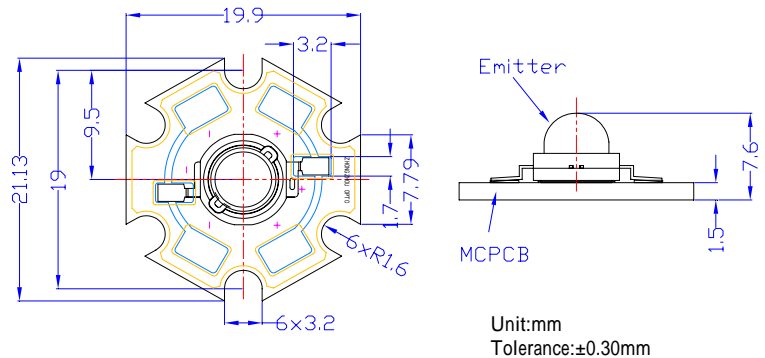
### ■Features

- Highest Luminous Flux
- Super Energy Efficiency
- Long Lifetime Operation
- Superior ESD protection
- Superior UV Resistance

### ■Applications

- Electronic Signs And Signals
- Small Area Illuminations
- Back Lighting
- Other Lighting
- Bollards / Security / Garden
- Traffic signaling / Beacons

### ■Outline Dimension

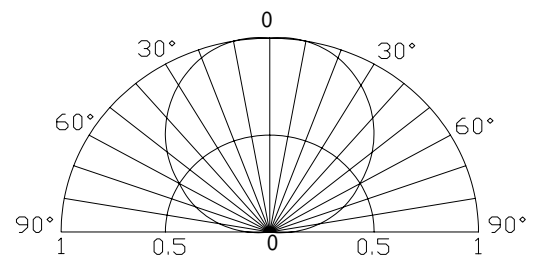


### ■Absolute Maximum Rating

(Ta=25 )

Item	Symbol	Value		Unit
		W/M/B/G	R	
DC Forward Current	$I_F$	400	400	mA
Pulse Forward Current*	$I_{FP}$	500	500	mA
Reverse Voltage	$V_R$	5	5	V
Power Dissipation	$P_D$	1600	1200	mW
Operating Temperature	$T_{opr}$	-40 ~ +85		
Storage Temperature	$T_{stg}$	-40 ~ +85		
Lead Soldering Temperature	$T_{sol}$	260 /5sec		-

### ■Directivity



\*Pulse width Max 0.1ms, Duty ratio max 1/10

### Electrical -Optical Characteristics

(Ta=25 )

Part Number	Color		$V_F$ (V)			$I_R$ ( $\mu$ A)	$v$ (lm)*			$\lambda D$ (nm)*			2 $\theta$ 1/2(deg)
			Min.	Typ.	Max.	Max.	Min.	Typ.	Max.	Min.	Typ.	Max.	Typ.
			$I_F=350$ mA			$V_R=5$ V	$I_F=350$ mA						
OSW4XME1C1S	White	W	3.0	3.3	4.0	10	90	100	-	X=0.31, Y=0.33			120
OSM5XME1C1S	Warm White	M	3.0	3.3	4.0	10	80	90	-	X=0.45, Y=0.41			120
OSB5XME1C1S	Blue	B	3.0	3.3	4.0	10	10	15	-	465	470	475	120
OSG5XME1C1S	Pure Green	G	3.0	3.3	4.0	10	65	75	-	520	525	530	120
OSR5XME1C1S	Red	R	2.0	2.5	3.0	10	40	50	-	620	625	630	120

Note: \*1. Tolerance of chromaticity coordinates is  $\pm 10\%$

\*2. Dominant wavelength tolerance:  $\pm 1$ nm

\*3. Tolerance of luminous Flux is  $\pm 15\%$