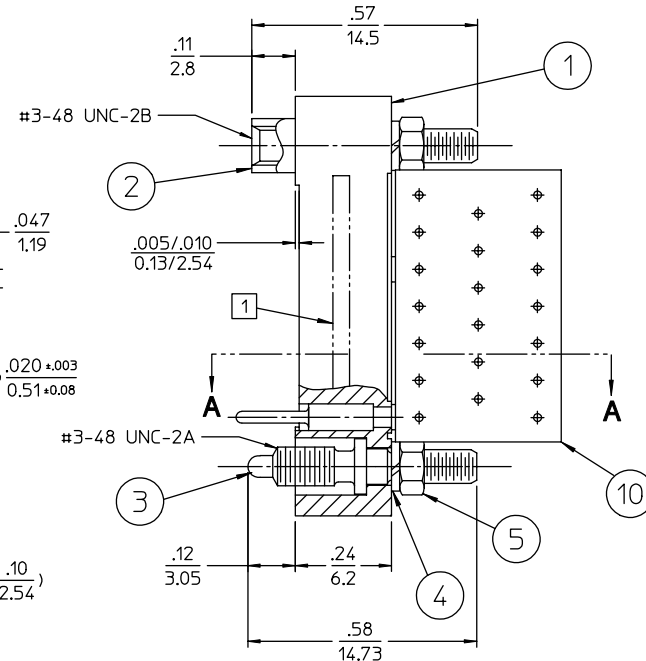
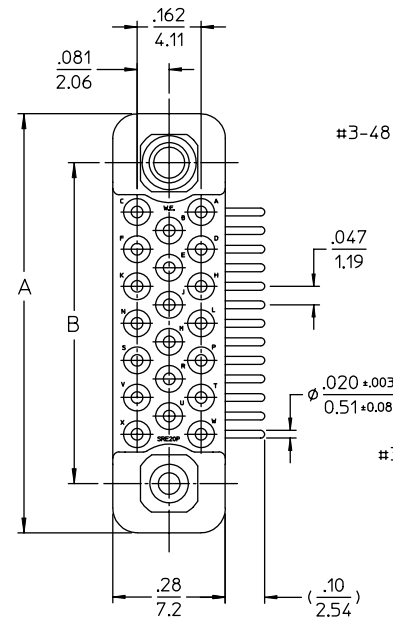
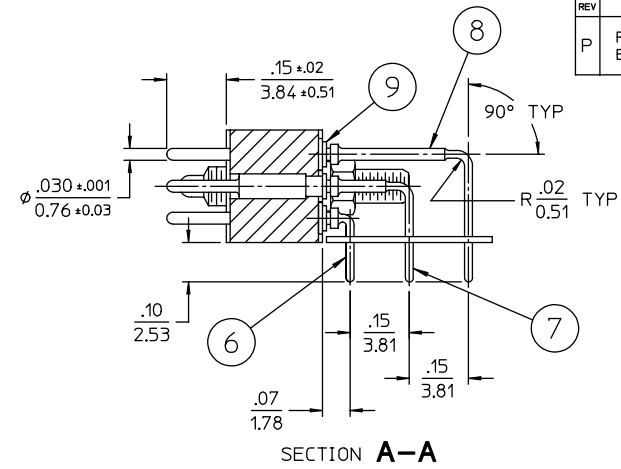


NOTES:

- ① CATALOG NO, DATE CODE AND MANUFACTURING LOCATION CODE LOCATED IN AREA SHOWN.
- ① MOLDING MALE - DIALLYL PHTHALATE PER MIL-M-14, TYPE SDG
COLOR - DARK BLUE FOR DEVIATION 4172C & 5050
COLOR - GREEN FOR DEVIATION 5331, 5399
- ② JACKSOCKET - STAINLESS STEEL QQ-S-764, PASSIVATING DIP
- ③ JACKSCREW - STAINLESS STEEL QQ-S-764, PASSIVATING DIP
- ④ LOCKWASHER - STAINLESS STEEL QQ-S-764, PASSIVATING DIP
- ⑤ NUT, HEX #2-56 - STAINLESS STEEL QQ-S-764, PASSIVATING DIP
- ⑥ CONTACT PIN, SHORT -
- ⑦ CONTACT PIN, MEDIUM - BRASS, QQ-B-626, GOLD OVER COPPER
- ⑧ CONTACT PIN, LONG -
- ⑨ CLIP SPRING - BERYLLIUM COPPER, QQ-C-533, GOLD OVER COPPER
- ⑩ HEADER - TEFLON
- ⑪ CONTACT PIN, X-LONG - BRASS, QQ-B-626, GOLD OVER COPPER
- ⑫ GUIDE PIN - 1/2 HARD BRASS ALLOY 360 PER QQ-B-626 COMP. 22
- ⑬ GUIDE SOCKET - 1/2 HARD BRASS ALLOY 360 PER QQ-B-626 COMP. 22
- ⑭ BRACKET, RH - STAINLESS STEEL, PASSIVATING DIP
- ⑮ BRACKET, LH - STAINLESS STEEL, PASSIVATING DIP
- ⑯ GUIDE PIN - STAINLESS STEEL, PASSIVATE
- ⑰ GUIDE SOCKET - STAINLESS STEEL, PASSIVATE
- ⑱ LOCK WASHER - STAINLESS STEEL, PASSIVATE
- ⑲ NUT - STAINLESS STEEL, PASSIVATE
- ⑳ BRACKET - ALUMINUM 5052-H32, ANODIZE

REV	DESCRIPTION	BY DATE	APPD
P	REVISED PER ECR# 8973	C.M.B. 06/13/06	C.M.B.



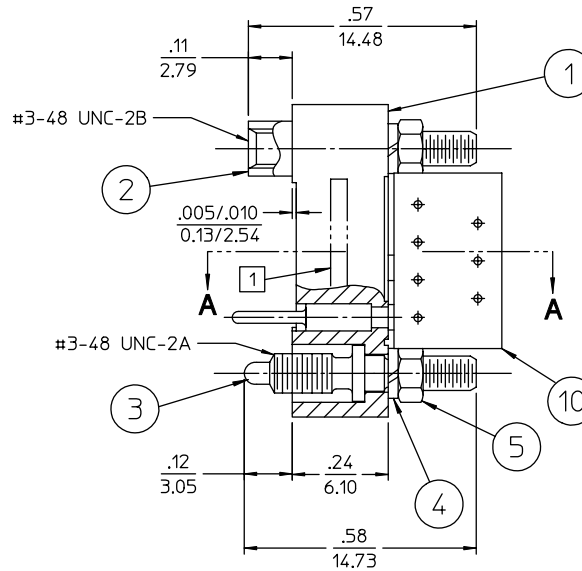
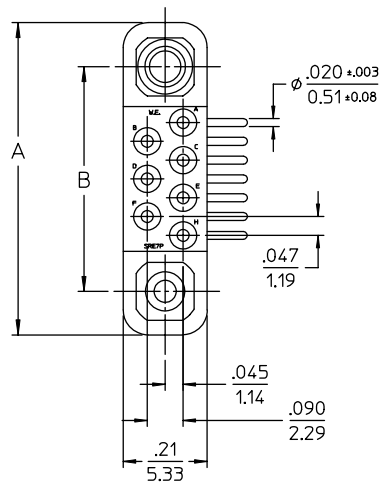
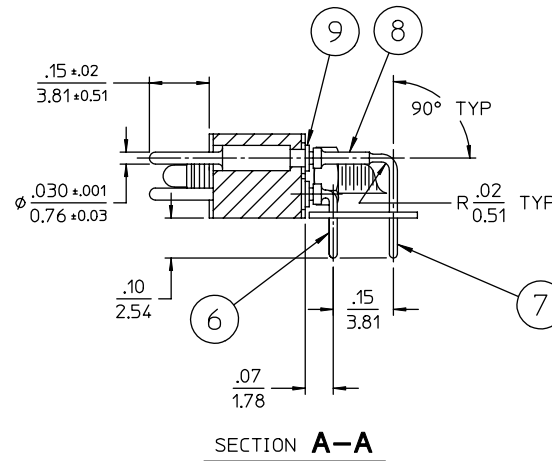
SRE20P113J4172C SHOWN

SRE34P113J5514	SEE SHEET 4	
SRE50PNSS5399	SEE SHEET 5	
FOR DEVIATION 5050 & 5331	SEE SHEET 4	
SRE34P113N 4172C	SRE34P113J 4172C	SEE SHEET 3
SRE9P113N 4172C	SRE9P113J 4172C	SEE SHEET 2
SRE14P113N 4172C	SRE14P113J 4172C	.88/22.35 .63/16.00
SRE50P113N 4172C	SRE50P113J 4172C	SEE SHEET 3
SRE44P113N 4172C	SRE44P113J 4172C	
SRE7P113N 4172C	SRE7P113J 4172C	SEE SHEET 2
SRE11P113N 4172C	SRE11P113J 4172C	.78/19.81 .53/13.46
SRE26P113N 4172C	SRE26P113J 4172C	1.25/31.75 1.00/24.4
SRE20P113N 4172C	SRE20P113J 4172C	1.06/26.92 .814/20.67
PART NO	A	B

PER ANSI Y14.5M-1982 UNLESS OTHERWISE SPECIFIED: DIMENSIONS ARE IN INCHES.		NORTHROP GRUMMAN	
TOLERANCES DECIMALS .xx ± .01 / 0.3 .xxx ± .005 / 0.13 ANGLES ±		OR INCHES / MM SCALE: 1:1	
CUSTOMER DRAWING		TITLE OUTLINE ASSEMBLY SRE SERIES CONNECTORS	
DRAWN D.BERGODERI 04/6/82	DATE CHECKED V.B.H. 04/26/82	DATE 04/26/82	DATE 04/26/82
APPROVED M. PERUGINI 04/26/82	DATE APPROVED 04/26/82	DATE 04/26/82	DATE 04/26/82
C		14005	SHT. 1 OF 5
		REV.	P

June 2006 - This drawing became the property of Winchester Electronics Corporation, Wallingford, CT.

REV	DESCRIPTION	BY DATE	APPD
P	REVISED PER ECR8973	CMB 06/13/06	CMB



SRE7P113J4172C SHOWN

SRE9P113N 4172C	SRE9P113J 4172C	.88/22.35	.66/16.76
SRE7P113N 4172C	SRE7P113J 4172C	.78/19.81	.56/14.22
PART NO		A	B

PER ANSI Y14.5M-1982
UNLESS OTHERWISE SPECIFIED:
DIMENSIONS ARE IN INCHES: _____ OR INCHES / MM

TOLERANCES _____ MM OR INCHES / MM

DECIMALS .xx ±.01 / 0.3
.xxx ±.005 / 0.13

ANGLES ° SCALE: 1:1

CUSTOMER DRAWING

DRAWN DATE CHECKED DATE
D.V.L. 12/07/82 V.B.H. 12/14/82

APPROVED DATE APPROVED DATE
R.G.K. 12/21/82

NORTHROP GRUMMAN

Winchester Electronics

82 Barnes Industrial Road North
Wallingford, CT 06492

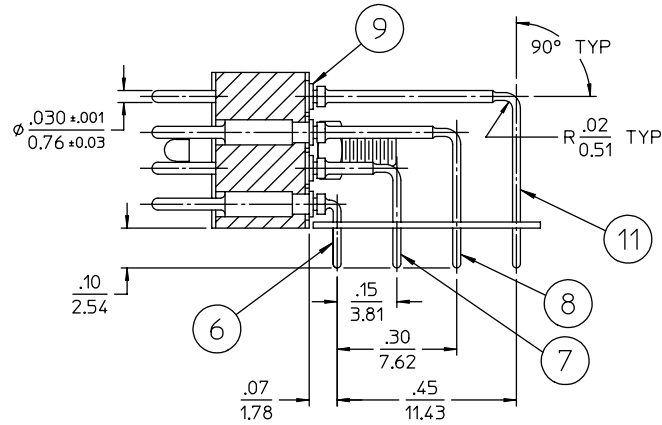
TITLE
OUTLINE ASSEMBLY
SRE SERIES CONNECTORS

14005

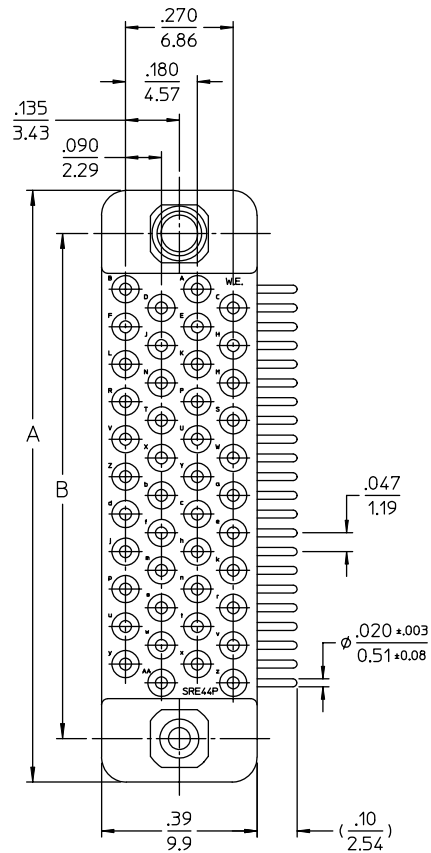
SHT. 2 OF

REV. P

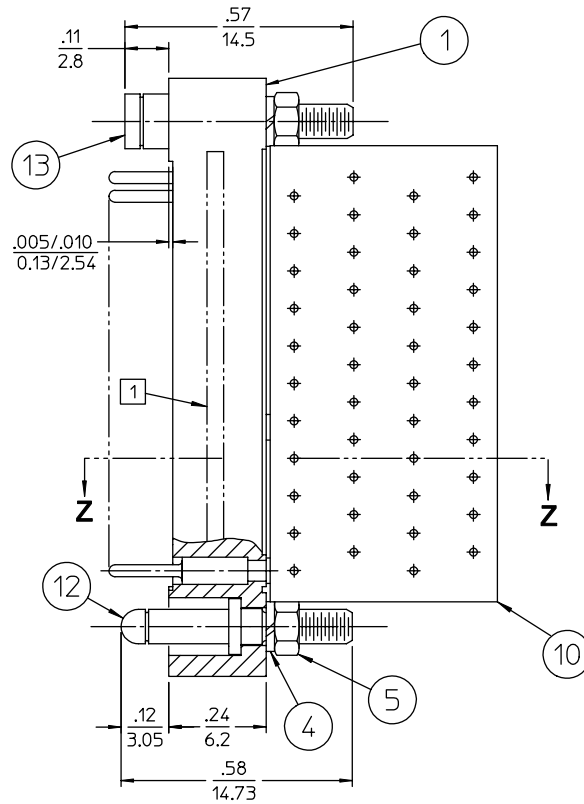
REV	DESCRIPTION	BY DATE	APPD
P	REVISED PER ECR8973	90/ELW/000	C.M.P. B.M.D.



SECTION Z-Z



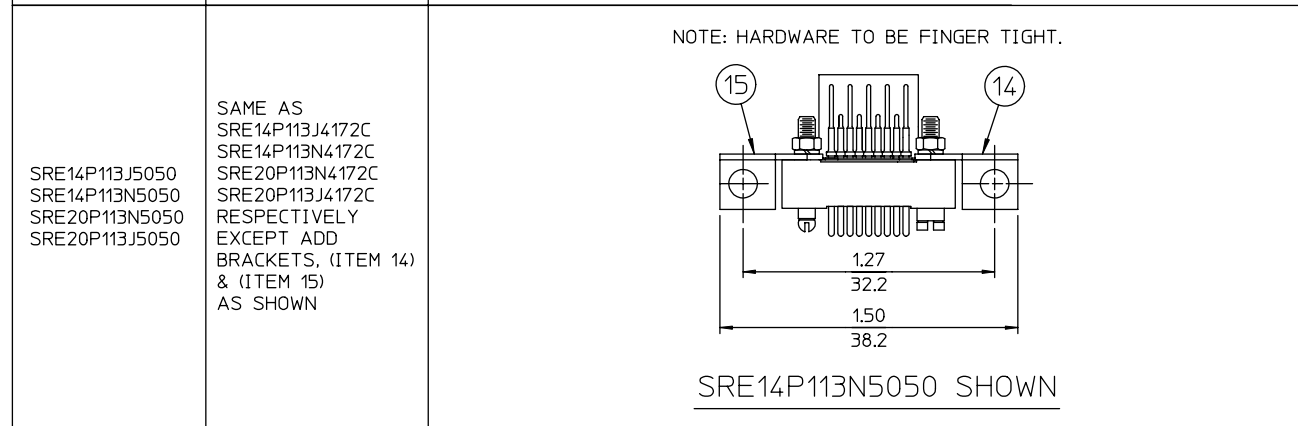
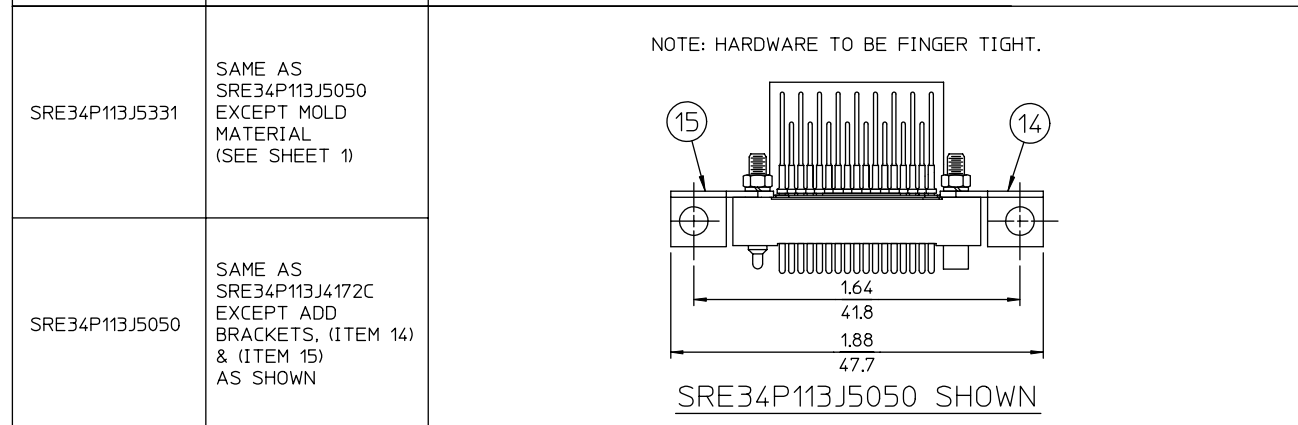
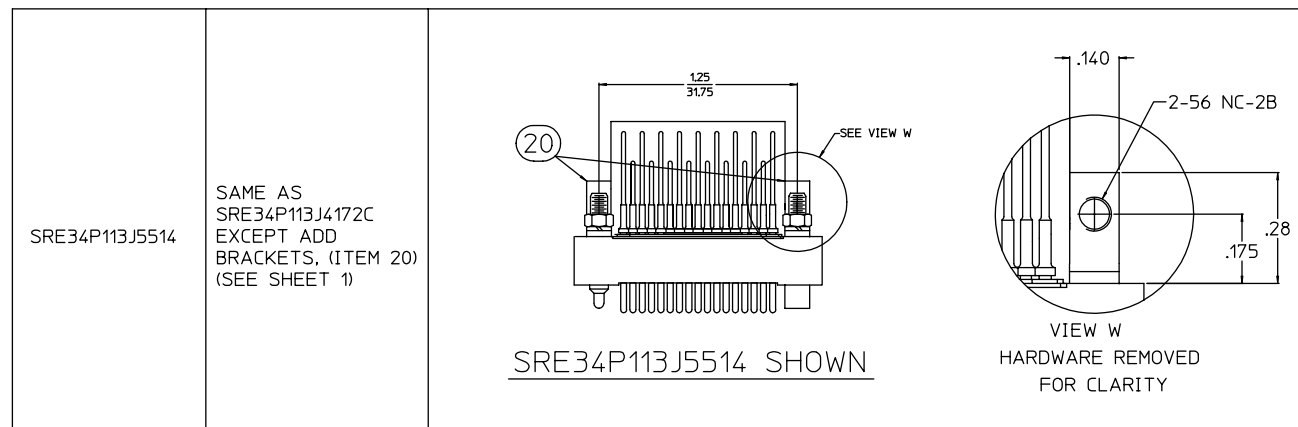
SRE44P113N4172C SHOWN



SRE50P113N 4172C	SRE50P113J 4172C	1.62/41.15	1.40/35.56
SRE44P113N 4172C	SRE44P113J 4172C	1.48/37.59	1.26/32.00
SRE34P113N 4172C	SRE34P113J 4172C	1.25/31.75	1.03/26.21
PART NO		A	B

PER ANSI Y14.5M-1982 UNLESS OTHERWISE SPECIFIED: DIMENSIONS ARE IN INCHES OR INCHES / MM		NORTHROP GRUMMAN + Winchester Electronics 62 Barnes Industrial Road North Wallingford, CT 06492	
TOLERANCES DECIMALS .XX ± .01 / 0.3 ANGLES ± .XXX ± .005 / 0.13		SCALE: 1:1 CUSTOMER DRAWING	
DRAWN L.B. DATE 04/18/94 CHECKED V.B.H. DATE 07/03/84		TITLE OUTLINE ASSEMBLY SRE SERIES CONNECTORS	
APPROVED R.G.K. DATE 07/03/84		REV. P C 14005 SHT. 3 OF	

REV	DESCRIPTION	BY DATE	APPD
P	REISED PER ECR# 8973	C.M.B. 06/13/06	C.M.B.



CATALOG NUMBER	DESCRIPTION OF DEVIATION	DEVIATION REQUIREMENTS
----------------	-----------------------------	------------------------

PER ANSI Y14.5M-1982
UNLESS OTHERWISE SPECIFIED:
DIMENSIONS ARE IN INCHES, OR INCHES / MM

TOLERANCES
DECIMALS .XX ± .01 / 0.3
XXX ± .005 / 0.13

ANGLES ± SCALE: 1:1

NORTHROP GRUMMAN

Winchester Electronics

62 Barnes Industrial Road North
Wallingford, CT 06482

**CUSTOMER
DRAWING**

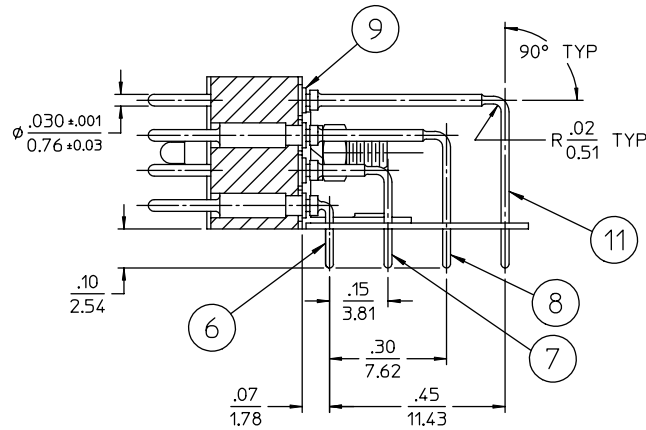


TITLE
OUTLINE ASSEMBLY
SRE SERIES CONNECTORS

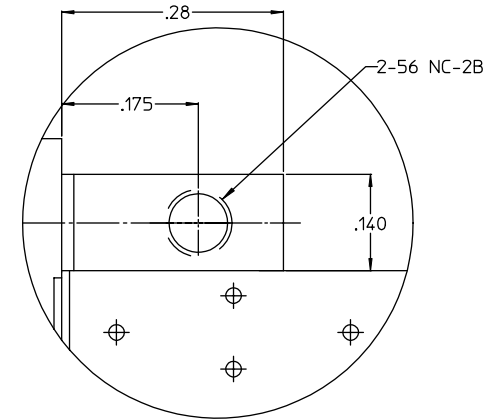
DRAWN	DATE	CHECKED	DATE
J.BONESSI	08/09/93		
APPROVED	DATE	APPROVED	DATE

C	14005	SHT. 4 OF	REV. P
---	-------	-----------	-----------

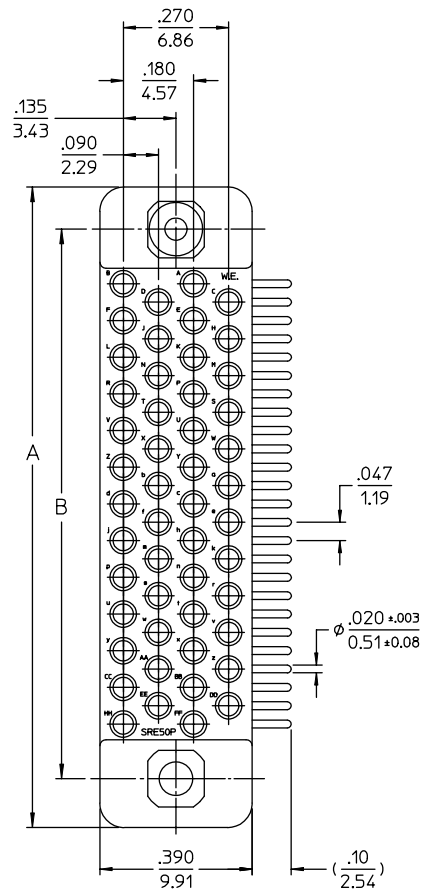
REV	DESCRIPTION	BY DATE	APPD
P	REVISED PER ECR# 8973	C.M.A. 06/13/06	C.M.B.



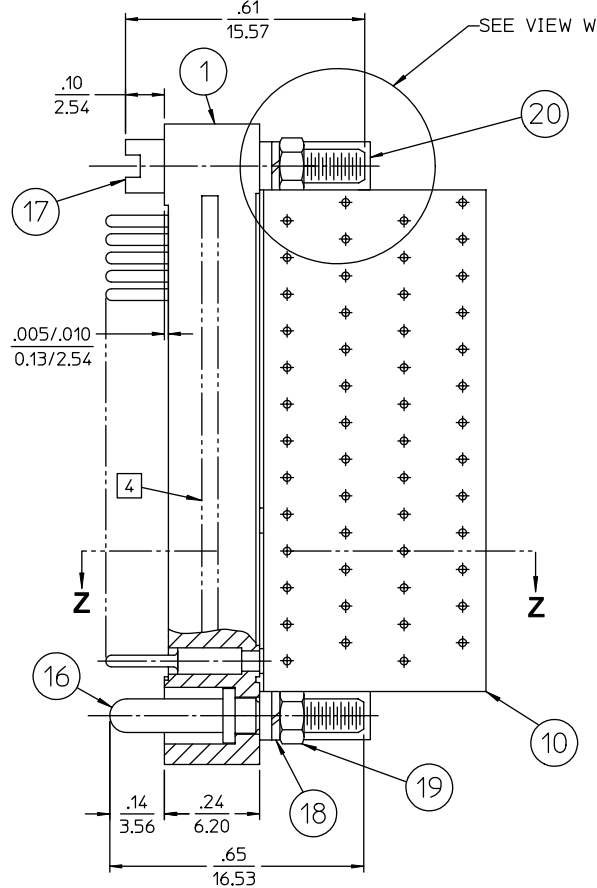
SECTION Z-Z



VIEW W
HARDWARE REMOVED
FOR CLARITY



SRE50PNSS5399 SHOWN



SRE50PNSS5399	SRE50PNSS5399	1.62/41.15	1.40/35.56
PART NO		A	B

PER ANSI Y14.5M-1982 UNLESS OTHERWISE SPECIFIED: DIMENSIONS ARE IN INCHES / MM TOLERANCES DECIMALS .xx ± .01 / 0.3 ANGLES ± .xxx ± .005 / 0.13 SCALE: 1:1		NORTHROP GRUMMAN Winchester Electronics 62 Barnes Industrial Road North Wallingford, CT 06492	
CUSTOMER DRAWING		TITLE OUTLINE ASSEMBLY SRE SERIES CONNECTORS	
DRAWN BAS 12/17/98	DATE CHECKED DATE	REV. C 14005	SHT. 5 OF 5 P