

FEATURES AND SPECIFICATIONS

Features and Benefits

- Sizes 2 to 15 and 20 circuits
- Positive lock latch provides secure mating retention
- Housing lance ensures good terminal retention
- Compact low-profile design for space savings
- Polarizing end walls prevent mismatching
- Five color choices for circuit identification

Electrical

Voltage: 125V
 Current: 2.0A max.
 Contact Resistance: 20mΩ max.
 Dielectric Withstanding Voltage: 500V
 Insulation Resistance: 1000 MΩ min.

Mechanical

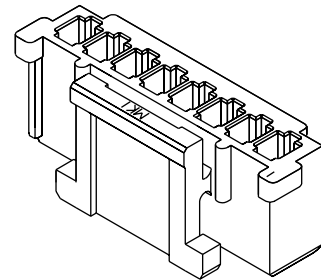
Contact Insertion Force: 9.8N (2.2 lb) max.
 Contact Retention to Housing: 14.7N (3.3 lb) min.
 Mating Force: 5 circuits—58.8N (13.2 lb)
 Unmating Force: 5 circuits—3.3N (0.7 lb)
 Durability: 30 cycles

Physical

Housing: Polyester, UL 94V-0
 Operating Temperature: -40 to +105°C

molex® 2.00mm (.079") Pitch Sherlock™ Wire-to-Board Housing

35507

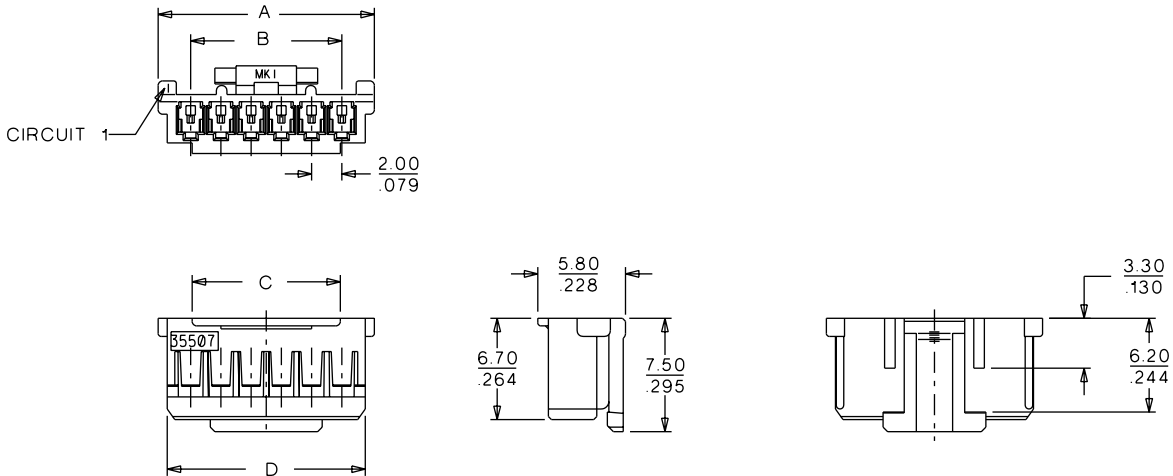


B 2.00 to 2.50mm (.079 to .098") Pitch

Reference Information

Product Specification: PS-35507
 Packaging: Bag
 UL File No.: E29179
 CSA File No.: LR19980
 Mates With: [35362](#) and [35363](#) headers
 Use With: [50212](#) terminal
 Designed In: Millimeters

CATALOG DRAWING (FOR REFERENCE ONLY)



ORDERING INFORMATION AND DIMENSIONS

Circuits	Order No.	Dimension			
		A	B	C	D
2	35507-0200	7.20 (.283)	2.00 (.079)	1.70 (.067)	5.10 (.201)
3	35507-0300	9.20 (.362)	4.00 (.157)	2.50 (.098)	7.10 (.280)
4	35507-0400	10.30 (.406)	6.00 (.236)	5.80 (.228)	9.10 (.358)
5	35507-0500	12.30 (.484)	8.00 (.315)	7.80 (.307)	11.10 (.437)
6	35507-0600	14.30 (.563)	10.00 (.394)	9.80 (.386)	13.10 (.516)
7	35507-0700	16.30 (.642)	12.00 (.472)	11.80 (.465)	15.10 (.594)
8	35507-0800	18.30 (.720)	14.00 (.551)	13.80 (.543)	17.10 (.673)
9	35507-0900	20.30 (.799)	16.00 (.630)	15.80 (.622)	19.10 (.752)
10	35507-1000	22.30 (.878)	18.00 (.709)	17.80 (.701)	21.10 (.831)
11	35507-1100	24.30 (.957)	20.00 (.787)	19.80 (.780)	23.10 (.909)
12	35507-1200	26.30 (1.035)	22.00 (.866)	21.80 (.858)	25.10 (.988)
13	35507-1300	28.30 (1.114)	24.00 (.945)	23.80 (.937)	27.10 (1.067)
14	35507-1400	30.30 (1.193)	26.00 (1.024)	25.80 (1.016)	29.10 (1.146)
15	35507-1500	32.30 (1.272)	28.00 (1.102)	27.80 (1.094)	31.10 (1.232)
20	35507-2000	42.30 (1.665)	38.00 (1.496)	37.80 (1.488)	41.10 (1.618)

DO NOT SCALE DRAWING DIMENSION IN METRIC

DWG. NO. SD-35507-001

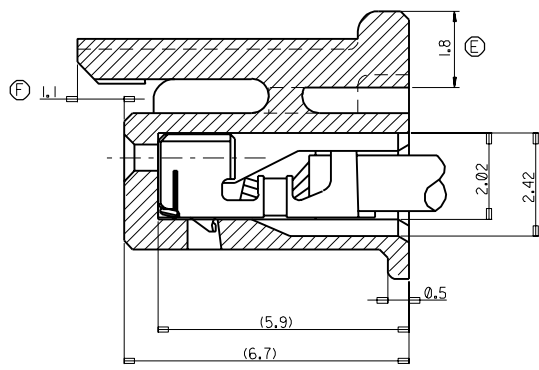
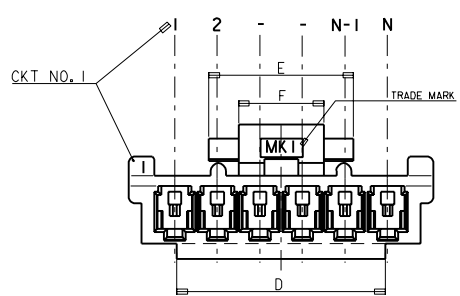
SIMILAR ITEM

PROJECT NO.

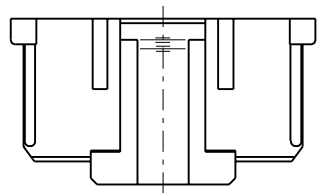
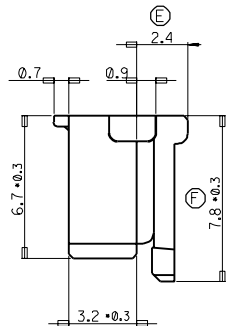
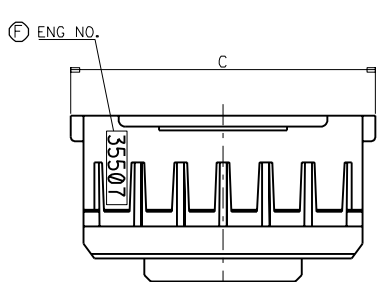
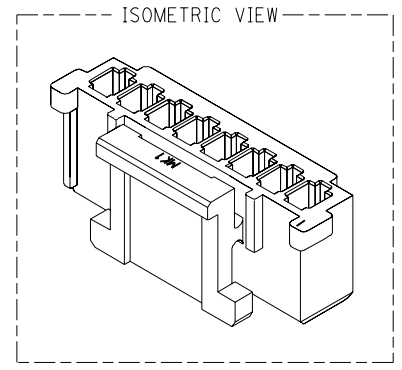
C

B

8 7 6 5 4 3 2 1

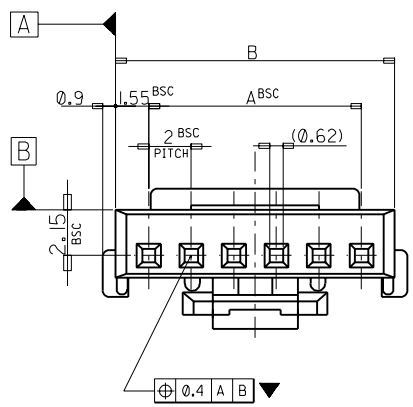


TERMINAL INSERTED DRAWING
SCALE 2:1



NOTES

1. MATERIAL : POLYESTER, UL94V-0
2. FINISH : VARIABLE COLOR (SEE LEGEND)
3. PRODUCT SPECIFICATION NO : PS-35507-001
4. APPLICABLE TERMINAL : 50212-8000
5. MATES WITH : 35362-***, 35363-***



LEGEND

CKT NO. → *#0*

COLOR →

- 0 : NATURAL
- 1 : BLACK
- 2 : RED
- 3 : YELLOW
- 4 : BLUE
- 5 : GREEN

4	4	27.8	32.3	31.1	28	-150*	15
		25.8	30.3	29.1	26	-140*	14
		23.8	28.3	27.1	24	-130*	13
		21.8	26.3	25.1	22	-120*	12
		19.8	24.3	23.1	20	-110*	11
		17.8	22.3	21.1	18	-100*	10
7	7	15.8	20.3	19.1	16	-090*	9
8.0	10.8	13.8	18.3	17.1	14	-080*	8
4	4	11.8	16.3	15.1	12	-070*	7
		9.8	14.3	13.1	10	-060*	6
		7.8	12.3	11.1	8	-050*	5
410	618	5.8	10.3	9.1	6	35507-040*	4
F	E	D	C	B	A	ENG NO.	CKT

30 over	±0.3
10 over 30 under	±0.25
10 under	±0.2
ANGLE	±3°
GENERAL TOLERANCE	

REVISED EC NO. KOR 2002-0043 DRWNG: Y500KIM(20011123) CHK: YSIKKim APPR: CWLEE	QUALITY SYMBOLS MAJOR CRITICAL	GENERAL TOLERANCES: (UNLESS SPECIFIED)	SCALE 1 : 1	DESIGN UNITS <input checked="" type="checkbox"/> mm <input type="checkbox"/> INCH	THIRD ANGLE PROJECTION <input type="checkbox"/> mm <input type="checkbox"/> INCH <input checked="" type="checkbox"/> mm ONLY	SHT	REV													
		<table border="1"> <tr> <th></th> <th>mm</th> <th>INCH</th> </tr> <tr> <td>4 PLACES</td> <td>±0.</td> <td>±.</td> </tr> <tr> <td>3 PLACES</td> <td>±0.</td> <td>±.</td> </tr> <tr> <td>2 PLACES</td> <td>±0.</td> <td>±.</td> </tr> <tr> <td>1 PLACE</td> <td>±0.</td> <td>±.</td> </tr> </table>		mm	INCH	4 PLACES	±0.	±.	3 PLACES	±0.	±.	2 PLACES	±0.	±.	1 PLACE	±0.	±.	DRAWN BY & DATE Y.S.Kim 960911	TITLE: NEW 2.0 W/B CONN HOUSING	
	mm	INCH																		
4 PLACES	±0.	±.																		
3 PLACES	±0.	±.																		
2 PLACES	±0.	±.																		
1 PLACE	±0.	±.																		
REV	DESCRIPTION	ANGULAR: ± / °	DRAWN BY & DATE Y.S.Kim	MOLEX INCORPORATED KOREA																
		DRAFT WHERE APPLICABLE MUST REMAIN WITHIN DIMENSIONS	CAD FILENAME SD35507.S01	MATERIAL NO.	DRAWING NO. SD-35507-001	SHEET NO. 1/3	SIZE B													

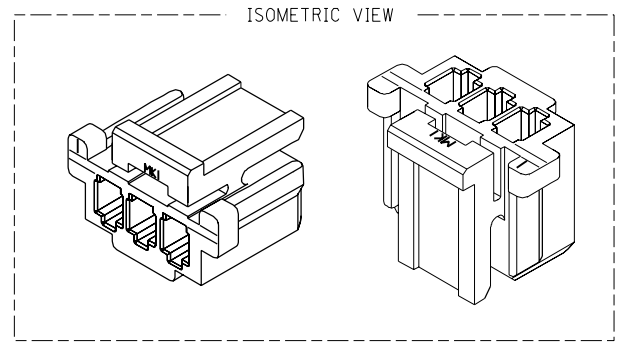
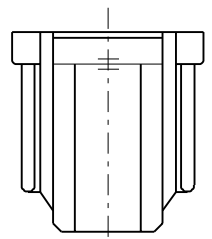
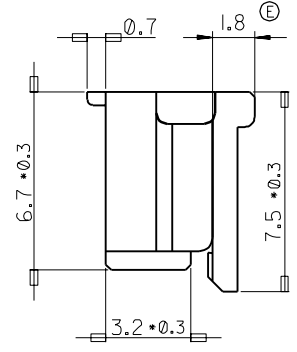
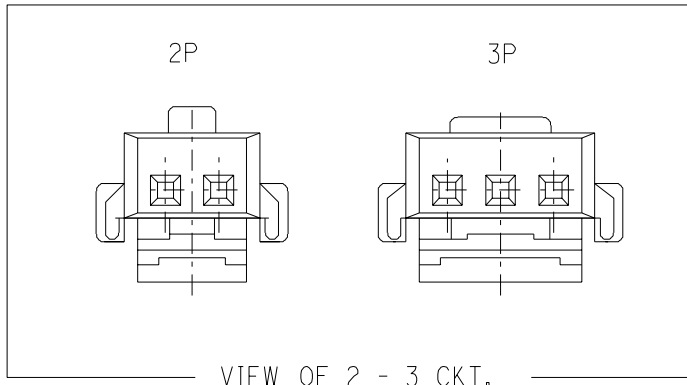
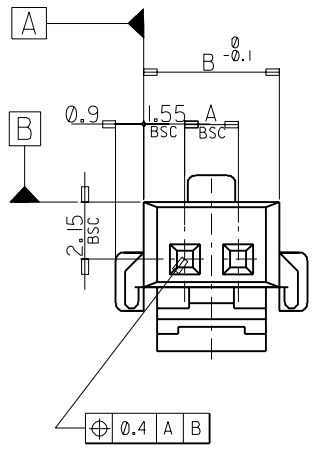
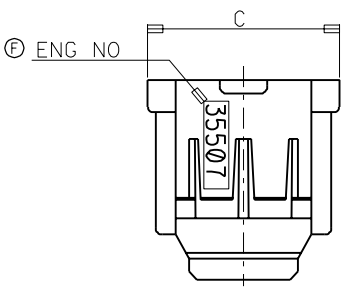
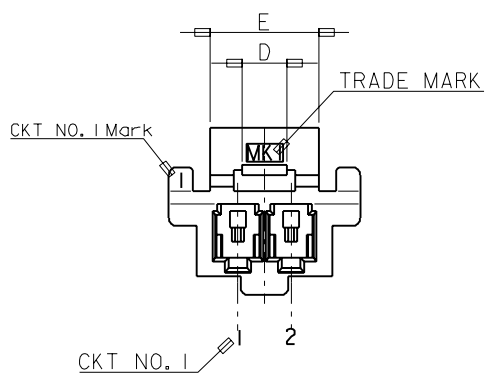
THIS DRAWING CONTAINS INFORMATION THAT IS PROPRIETARY TO MOLEX INCORPORATED AND SHOULD NOT BE USED WITHOUT WRITTEN PERMISSION.

DO NOT SCALE DRAWING DIMENSION IN METRIC

PROJECT NO.

SIMILAR ITEM

DWG. NO. SD-35507-001



FOR 2 & 3 CKTS.

LEGEND

CKT NO.	**0*	COLOR	0 : NATURAL
			1 : BLACK
			2 : RED
			3 : YELLOW
			4 : BLUE
			5 : GREEN

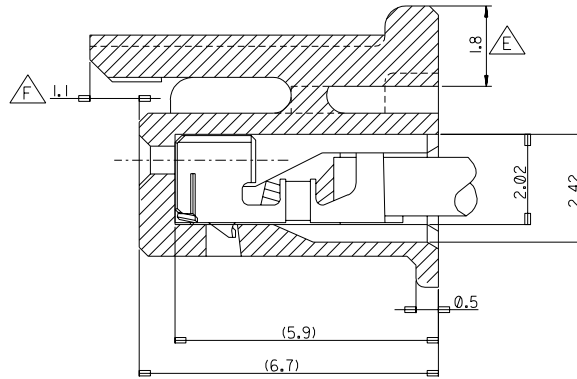
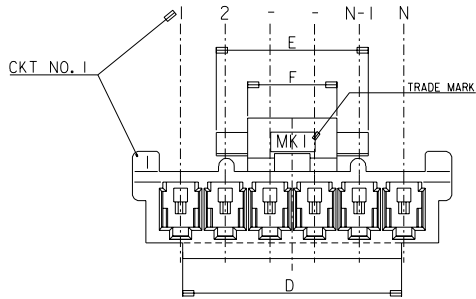
NOTES

1. MATERIAL : POLYESTER, UL94V-0
2. FINISH : VARIABLE COLOR (SEE LEGEND)
3. PRODUCT SPECIFICATION NO : PS-35507-001
4. APPLICABLE TERMINAL : 50212-8000
5. MATES WITH : 35362-**, 35363-**

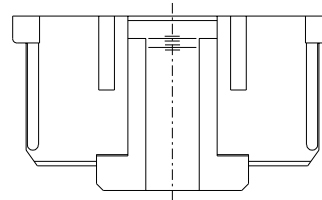
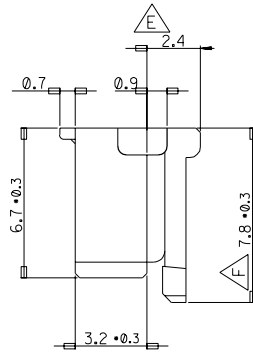
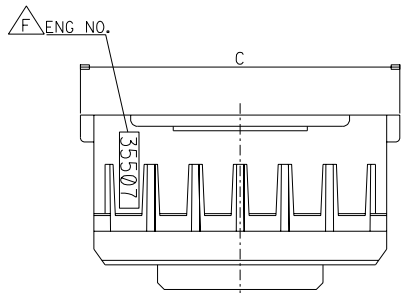
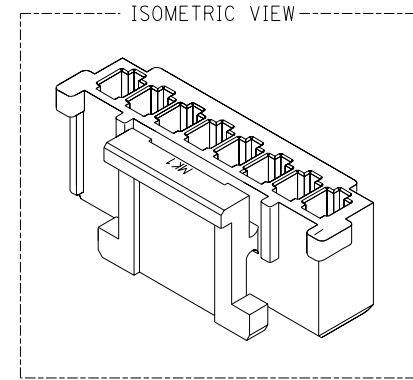
2.5	9.2	7.1	4	-030*	3
1.7	7.2	5.1	2	35507-020*	2
D	C	B	A	ENG NO.	CKT

30 over	+0.3
10 over 30 under	±0.25
10 under	±0.2
ANGLE	±3°
GENERAL TOLERANCE	

REVISED	EC NO. KOR 2002-0043 DRWN: YSOOKIM (20011123) CHK: YSIKIM APPR: CWLEE	QUALITY SYMBOLS MAJOR = CRITICAL =	GENERAL TOLERANCES: (UNLESS SPECIFIED)		SCALE 1:1	DESIGN UNITS <input checked="" type="checkbox"/> mm <input type="checkbox"/> INCH	THIRD ANGLE PROJECTION	DIMENSIONS: <input type="checkbox"/> mm <input type="checkbox"/> INCH <input checked="" type="checkbox"/> mm ONLY		SHT	REV
			4 PLACES	±0.	±.	DRAWN BY & DATE Y.S.Kim 960911	TITLE: NEW 2.0 W/B CONN HOUSING (2 & 3 CKTS Only)				
			3 PLACES	±0.	±.	CHECKED BY & DATE Y.Sik.Kim	MOLEX INCORPORATED KOREA				
			2 PLACES	±0.	±.	APPROVED BY & DATE C.W.Lee	CAD FILENAME SD35507.S02	MATERIAL NO.	DRAWING NO. SD-35507-001	SHEET NO. 2/3	
			1 PLACE	±0.	±.	THIS DRAWING CONTAINS INFORMATION THAT IS PROPRIETARY TO MOLEX INCORPORATED AND SHOULD NOT BE USED WITHOUT WRITTEN PERMISSION.				SIZE B	
DRAFT WHERE APPLICABLE MUST REMAIN WITHIN DIMENSIONS											



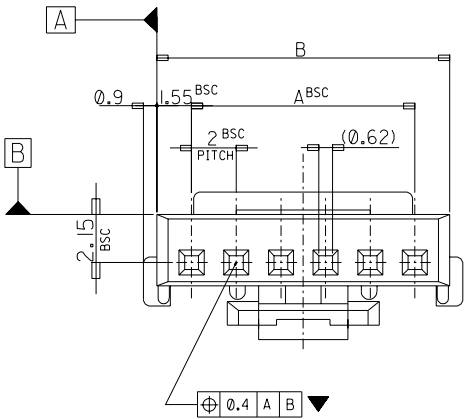
TERMINAL INSERTED DRAWING
SCALE 8:1



NOTES

1. MATERIAL : POLYESTER, NON GLASS FILLED, UL94V-0
2. FINISH : VARIABLE COLOR (SEE LEGEND)
3. PRODUCT SPECIFICATION : PS-35507-001
4. APPLICABLE TERMINAL : 50212-8000
5. MATES WITH : 35362-***, 35363-***

LEGEND	
CKT. NO. ***0*	COLOR
	0 : NATURAL
	1 : BLACK
	2 : RED
	3 : YELLOW
	4 : BLUE
	5 : GREEN



8.0	10.8	37.8	42.3	41.1	38	35507200*	35507-200*	20
8.0	10.8	35.8	40.3	39.1	36	35507190*	35507-190*	19
8.0	10.8	33.8	38.3	37.1	34	35507180*	35507-180*	18
8.0	10.8	31.8	36.3	35.1	32	35507170*	35507-170*	17
8.0	10.8	29.8	34.3	33.1	30	35507160*	35507-160*	16
F	E	D	C	B	A	MATERIAL NO.	ENG NO.	CKT

REVISED
KOR2003-0109
JUNGHKIM 02/10/31
YUNSIKKIM
CWLEE

~~2~~
~~3~~

4 : 1 X

Y.S.Kim 960911

Y.Sik.Kim

C.W.Lee

SD35507.S03

NEW 2.0 W/B CONN HOUSING

SEE TABLE

SD-35507-001

3 OF 3