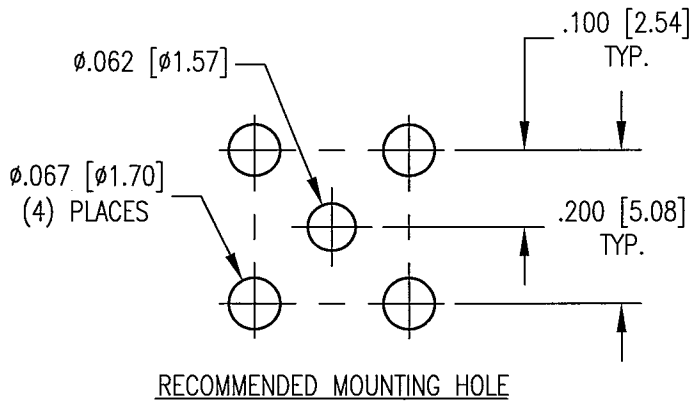
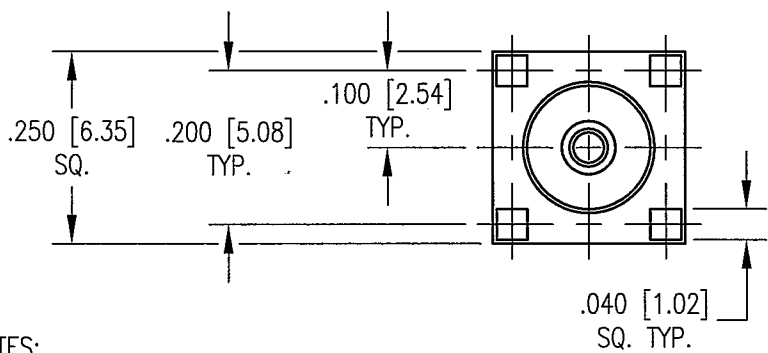
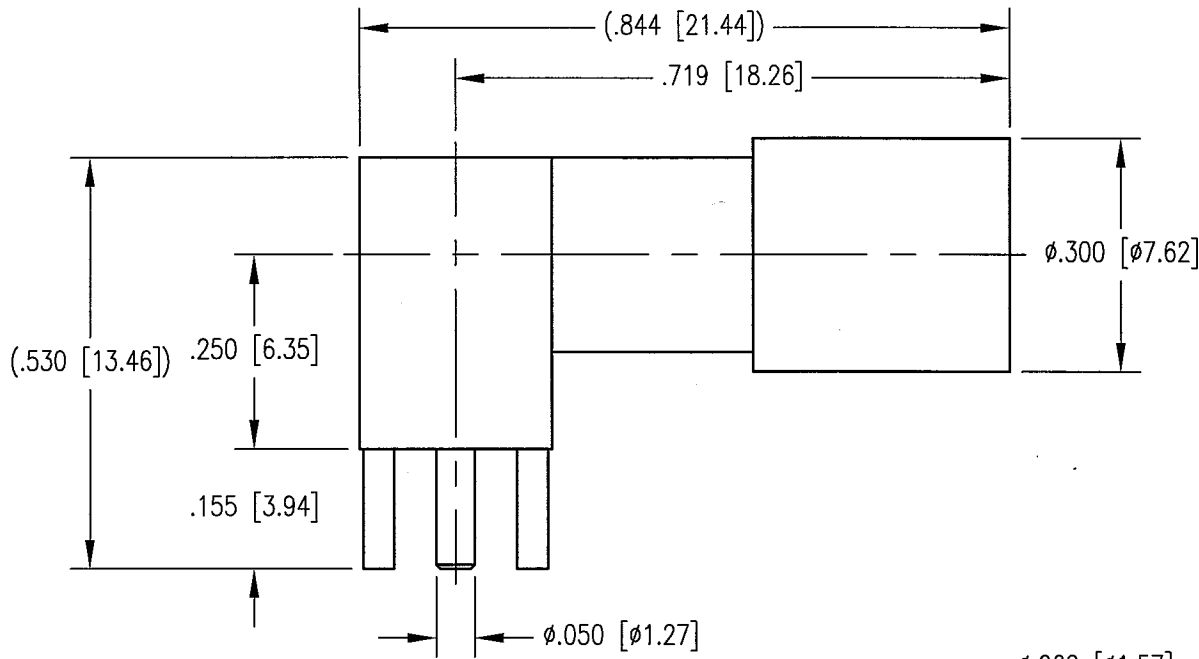


REV	DESCRIPTION	BY DATE	APPROVED
A	RELEASED PER ECR 7401	JED 7/15/02	[Signature]



NOTES:

- MATERIALS:
 FRONT AND OUTER CONTACTS: COPPER ALLOY
 ALL METAL PARTS: BRASS PER ASTM B16
 INSULATOR: TEFLON PER ASTM D1710
- FINISH:
 CONTACTS AND SHROUD: .000030 MIN. GOLD PER MIL-G-45204 OVER
 .000050 MIN. NICKEL PER QQ-N-290
 BODY: .000015 MIN. GOLD PER MIL-G-45204 OVER
 .000050 MIN. NICKEL PER QQ-N-290
 CAP: .000005 MIN. GOLD PER MIL-G-45204 OVER
 .000050 MIN. NICKEL PER QQ-N-290

PER ASME Y14.5M-1994 UNLESS OTHERWISE SPECIFIED: DIMENSIONS ARE IN INCHES [MM] TOLERANCES: DECIMALS .XX ± .01 [0.254] .XXX ± .005 [0.127] ANGLES ± 2°		NORTHROP GRUMMAN Winchester Electronics 400 Park Road Watertown, CT 06795	
CUSTOMER DRAWING		TITLE BMA RIGHT ANGLE PCB MOUNT RECEPTACLE	
DRAWN JED	DATE 7/15/02	CHECKED [Signature]	DATE 7-18-02
APPROVED [Signature]	DATE 7/19/02	APPROVED [Signature]	DATE 7/19/02
A		363-060-0040H	SH. OF REV. 1 1 A