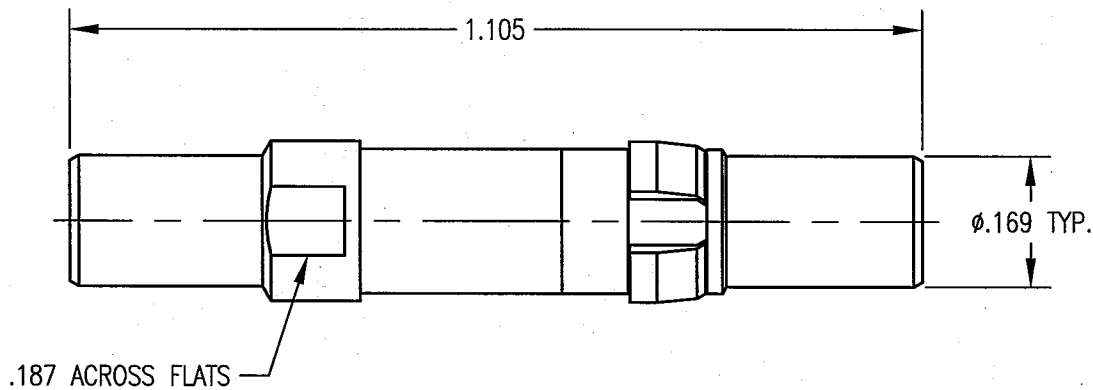


DWG. NO. 370-370-1001G

REV	DESCRIPTION	BY DATE	APPD
E	ECR 7348	S. JAHN 20/01/02	[Signature]



NOTE:

1. MATERIALS:

BODY: BRASS PER ASTM B16
 CONTACT: COPPER ALLOY
 INSULATOR: TEFLON PER ASTM D1710
 CLIP RING: BERYLLIUM COPPER PER ASTM B194

2. FINISH:

BODY AND CONTACT: .000030 MIN. GOLD PER MIL-G-45204 OVER
 .000050 MIN. NICKEL PER QQ-N-290
 CLIP RING: .000005 MIN. GOLD PER MIL-G-45204 OVER
 .000050 MIN. NICKEL PER QQ-N-290

PER ASME Y14.5M-1994 UNLESS OTHERWISE SPECIFIED: DIMENSIONS ARE IN INCHES [MM]		NORTHROP GRUMMAN	
TOLERANCES: DECIMALS .XX ± .01 [0.254] .XXX ± .005 [0.127] ANGLES ± 2°		Winchester Electronics 400 Park Road Watertown, CT 06795	
CUSTOMER DRAWING		TITLE FEMALE TO FEMALE COAX ADAPTOR 75 OHM	
DRAWN JWH	DATE 4/18/02	CHECKED KJT	DATE 4/30/02
APPROVED JEM	DATE 4/30/02	APPROVED JED	DATE 4/30/02
A		370-370-1001G	SHT. 1 OF 1 REV. E