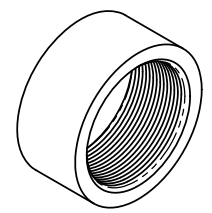


8 7 6 5 4 3 2 1

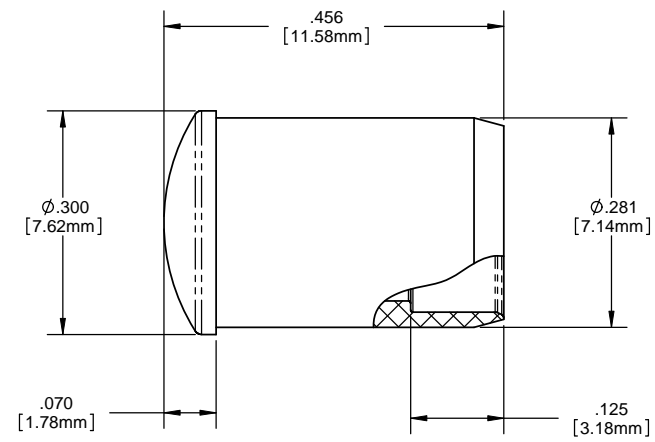
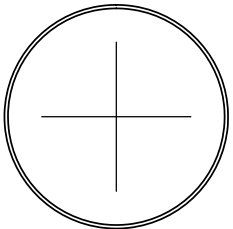
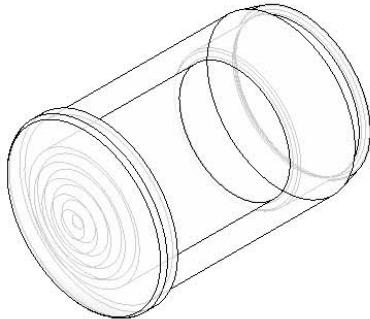
- NOTES:**
- MOUNTING:** Mounts in a $\phi .281 \pm .002$ [$\phi 7.13\text{mm} \pm .05$] panel hole on .375 [9.5mm] centers. Panel thickness .031 [0.8mm] to .250 [6.35mm]. Panel hole should be deburred, but not chamfered.
 - ASSEMBLY:** Insert lens through panel hole, slide RNG 268 retainer on back of lens. PCB mounted LEDs slide into lens when the panel cover is closed or the PCB card is inserted into the case.
 - MATERIAL:** Polycarbonate, UL 94-V2
 - U.S. & Foreign Pat. Issued & Pend.**

REVISIONS				
ECN#	REV.	DESCRIPTION	DATE	INITIALS
	001	REVISED PER ECR111009AZ01	4-23-10	SMU

**RETAINER
(ORDER SEPARATELY)**



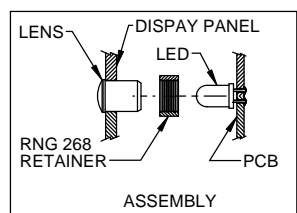
RNG 268



ORDERING CODE : **CML 325 XXX**

MODEL

LENS COLOR	
CTP	CLEAR TRANSPARENT



ASSEMBLY

<small>UNLESS OTHERWISE SPECIFIED DIMENSIONS ARE IN INCHES</small> ANGLES DECIMALS $\pm 1^\circ$.X $\pm .020$ FINISH .XXX $\pm .010$.XXX $\pm .005$ <small>BREAK ALL CORNERS AND SHARP EDGES 90 DEG</small>	MATERIAL POLYCARBONATE, UL 94-V2		VISUAL COMMUNICATIONS COMPANY, INC. <small>190 Bosstick Boulevard, Suite 101 San Marcos, CA 92069 USA Phone (760) 560-1300 Fax (760) 560-1301 email vccsales@vccite.com</small>	
	FINISH SEE NOTES		TITLE: 5MM ROUND FRESNEL LOW PROFILE LENS	
<small>THIRD ANGLE PROJECTION</small> 	<small>APPROVAL</small> DRAWN: SMU CHECKED: DZ	<small>DATE</small> 4-23-10 4-23-10	<small>SIZE</small> B	<small>DWG. NO.</small> CML 325 XXX
<small>DO NOT SCALE DRAWING</small>			<small>SCALE: 1:1</small>	<small>REV</small> 001 <small>SHEET 1 OF 1</small>

8 7 6 5 4 3 2 1