

6

5

4

3

2

1

MATERIAL AND FINISH:

Insulator: Polycarbonate, UL-94V-0 rated

Contacts: Brass, Nickel plated

ELECTRICAL SPECIFICATIONS:

Current rating: 10 A

Voltage rating: 250 VAC



Current rating: 15 A

Voltage rating: 250 VAC



ORDERING CODE:

42R03-5 2
 1 2

1) COLOR

1 = BLACK

2 = GRAY

2) ELECTRICAL CIRCUIT CONFIGURATION

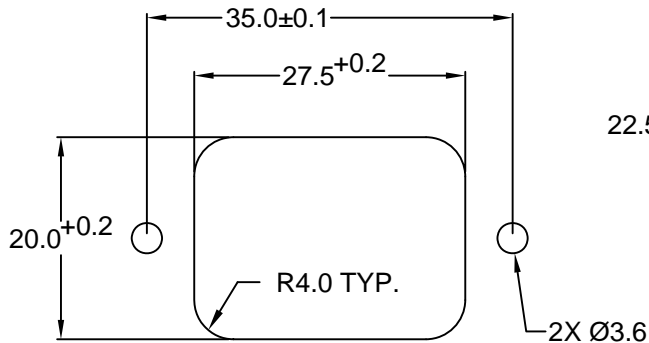
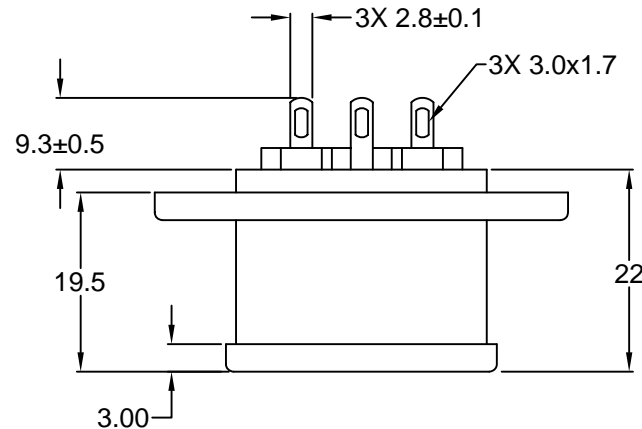
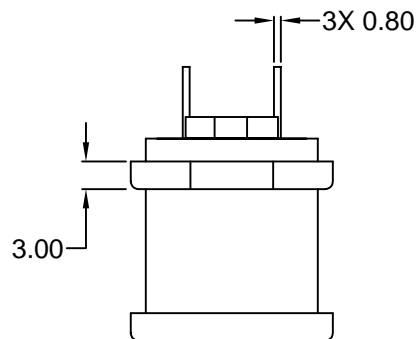
1 = 15A 250V 120°C
2+GROUND



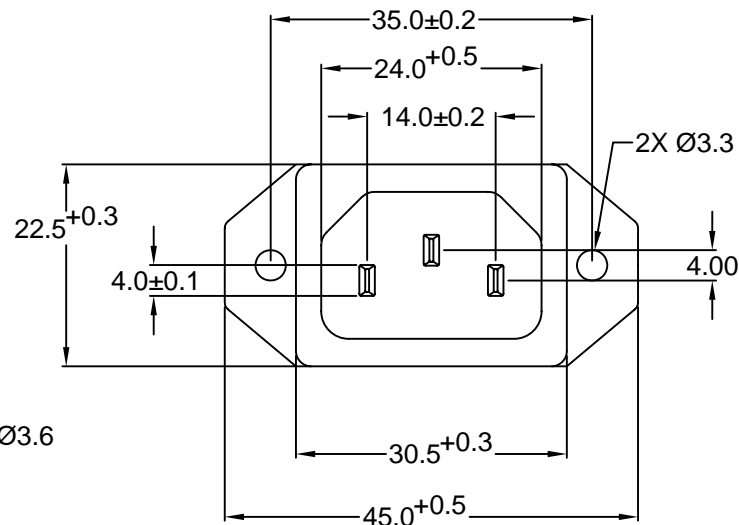
2 = 15A 250V 70°C
2+GROUND



4 = 15A 250V 70°C
2 POLE



RECOMMENDED
PANEL CUTOUT



**RoHS
COMPLIANT**

| | | | | | | |
|-----|------|--------|---|-----------|------------|------|
| REV | DATE | 1/8/10 | A | CHNG | CHECK | APPR |
| | | | | CHANGE | TERM. DIM. | PB |
| | | | | REVISIONS | | |
| | | | | A | | |

| | | |
|-----------------------------------------|----|----------------|
| TOLERANCE UNLESS OTHERWISE SPECIFIED | | |
| X | ± | 1 |
| X.X | ± | 0.4 |
| X.XX | ± | 0.20 |
| DRAWN BY | GQ | DATE: 08/16/01 |
| CHECK BY | TD | DATE: 08/20/01 |
| APPR BY | PB | DATE: 08/21/01 |

Power Dynamics, Inc.
 Phone: 973 560-0019 Whippany, New Jersey Fax: 973 560-0076

PART: IEC 60320 C14 APPL. INLET; SOLDER
 TERMINALS; BOTTOM FLANGE

42R03-5X2X

SIZE: A
 SCALE: NTS

ALL DIMENSIONS FOR REFERENCE ONLY
 DIMENSIONS ARE IN MILLIMETERS

SHEET 1 of 1
 REV: A