

6

5

4




3

2

1

MATERIAL AND FINISH:
 Insulator: Polycarbonate, UL-94V-0 rated
 Contacts: Brass, Nickel plated

ELECTRICAL SPECIFICATIONS:

Current rating: 10 A 
 Voltage rating: 250 VAC
 Current rating: 15 A 
 Voltage rating: 250 VAC 

ORDERING CODE:


42R03-8 2
 1 2


1) COLOR

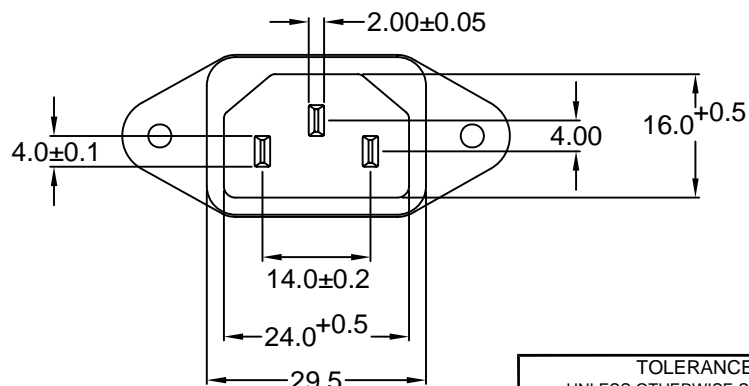
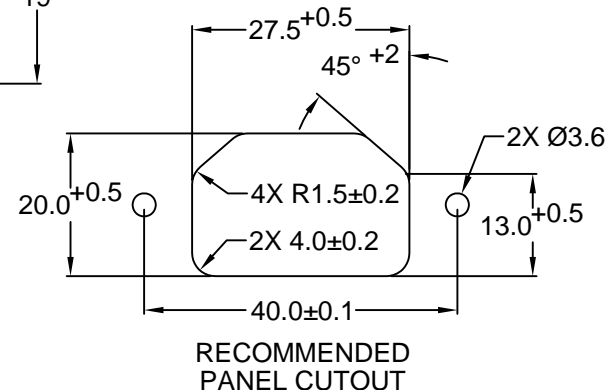
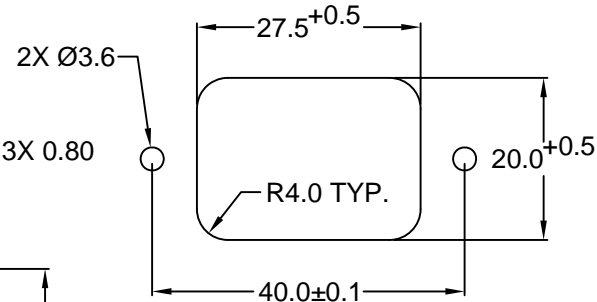
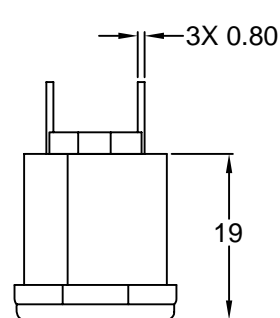
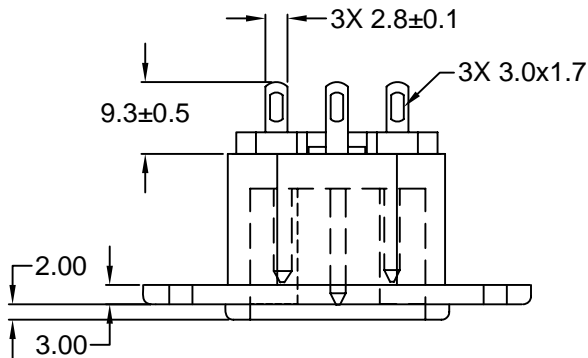
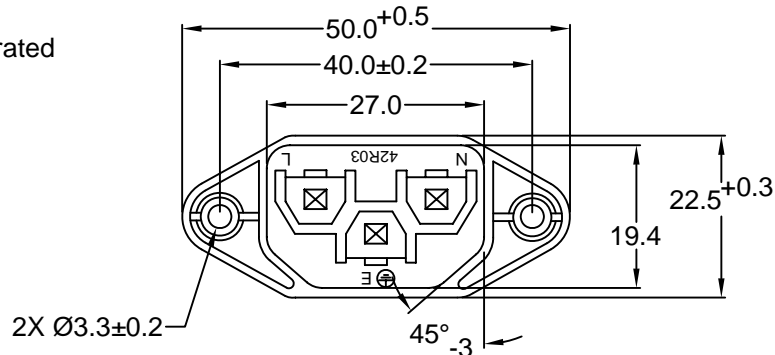
1 = BLACK
 2 = GRAY

2) ELECTRICAL CIRCUIT CONFIGURATION

1 = 15A 250V 120°C 
 2+GROUND

2 = 15A 250V 70°C 
 2+GROUND

4 = 15A 250V 70°C 
 2 POLE



**RoHS
 COMPLIANT**

REV	DATE	1/8/10	CHNG	CHK	APPR
	CHANGE				
	TERM. DIM.				
	A				

TOLERANCE UNLESS OTHERWISE SPECIFIED			
X	± 1		
X.X	± 0.4		
X.XX	± 0.20		
DRAWN BY	GQ	DATE:	08/17/01
CHECK BY	TD	DATE:	08/20/01
APPR BY	PB	DATE:	08/21/01

Power Dynamics, Inc.
 Phone: 973 560-0019 Whippany, New Jersey Fax: 973 560-0076

PART: IEC 60320 C14 APPL. INLET; SOLDER TERMINALS; SIDE FLANGE

42R03-8X2X

SCALE: NTS

ALL DIMENSIONS FOR REFERENCE ONLY
 DIMENSIONS ARE IN MILLIMETERS

SHEET 1 of 1
 REV: A