



# STEVAL-IFV002V1

## STEVAL-IFV002V1 IPCAM extension board based on the STM32F107VC

Data brief

### Features

- The IPCAM extension board, based on STM32, includes the following:
  - STEVAL-IFV002V1 board
  - CAMERA pepper board
  - object files are available for the firmware
- RoHS compliant

### Description

The STEVAL-IFV002V1 demonstration board implements a camera extension board which is used to interface a CAMERA board to the STM3210C-EVAL demonstration board.

This extension board is built around STMicroelectronic's ARM with a Cortex-M3 core-based STM32F107VC microcontroller in a 100 pin package.

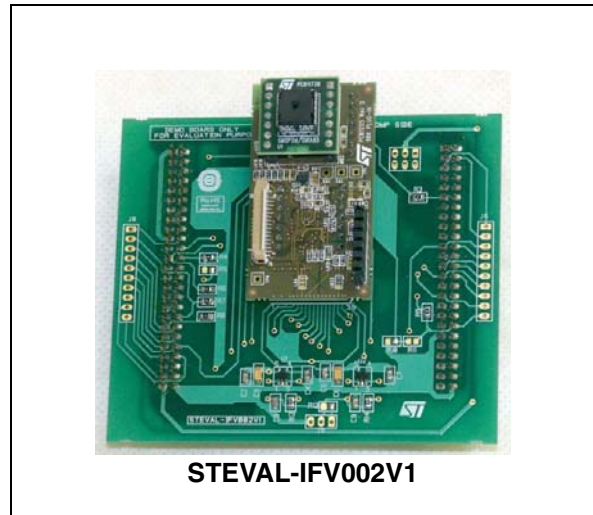
This extension board consists of a camera board connector, two female headers which fit on CN8 and CN9 of the EVAL demonstration board, and a power supply unit required for the camera unit.

The application works on the Web server implemented on the STM3210C-EVAL demonstration board.

The camera interface library is implemented on STM32 to capture the image from the camera. The board is interfaced with a CAMERA pepper board.

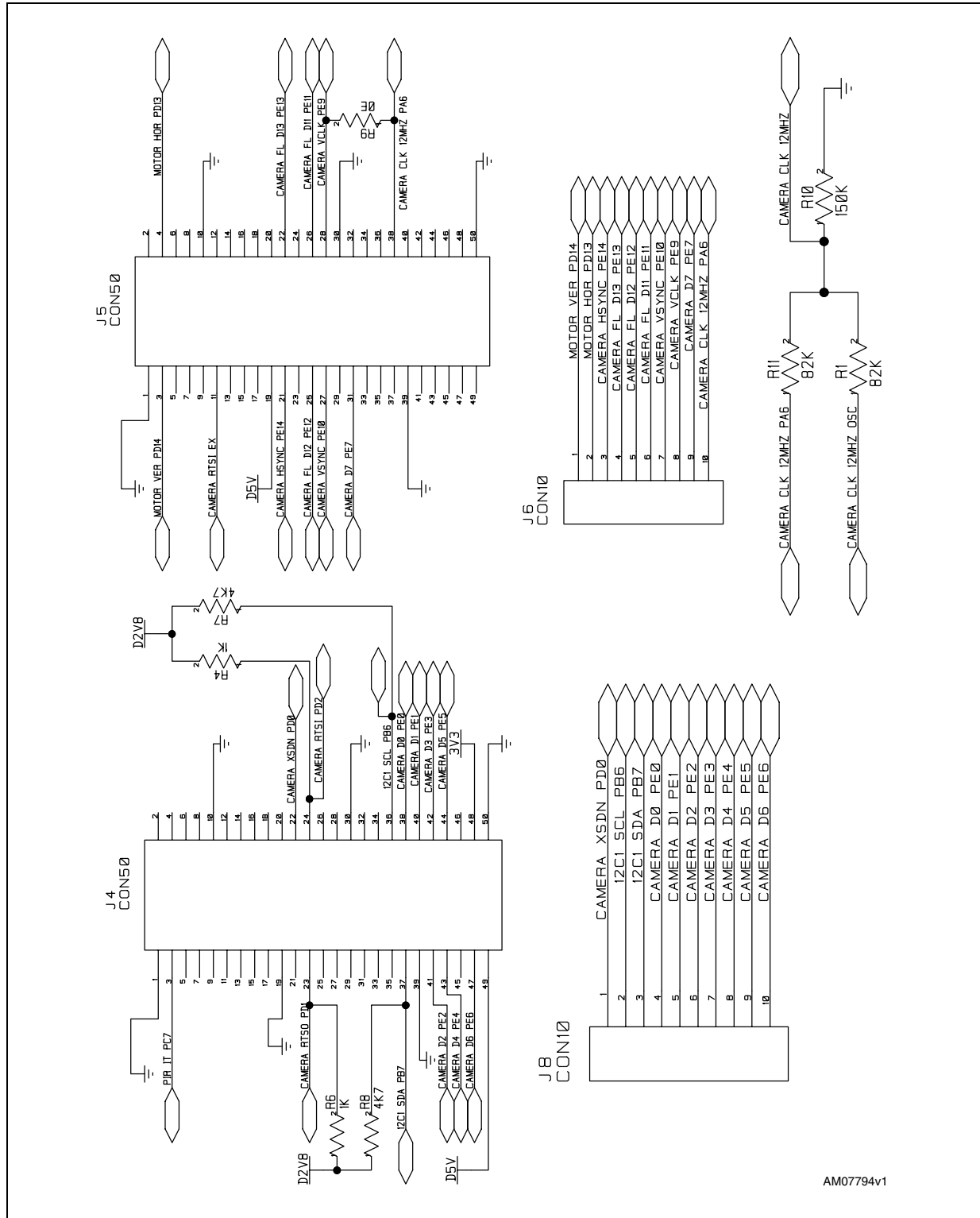
The camera sensor is mounted on this pepper board. To capture the image, commands are provided through an I2C interface. An Ethernet library is ported on the STM3210C-EVAL demonstration board to transfer the image through Ethernet.

DHCP client is also supported on the board to assign the IP address automatically.



# 1 Schematic circuit

Figure 1. Base board connector schematics



AM07794v1

Figure 2. Camera oscillator, motor and pin connection, and power 2.8 V and 1.8 V, schematics

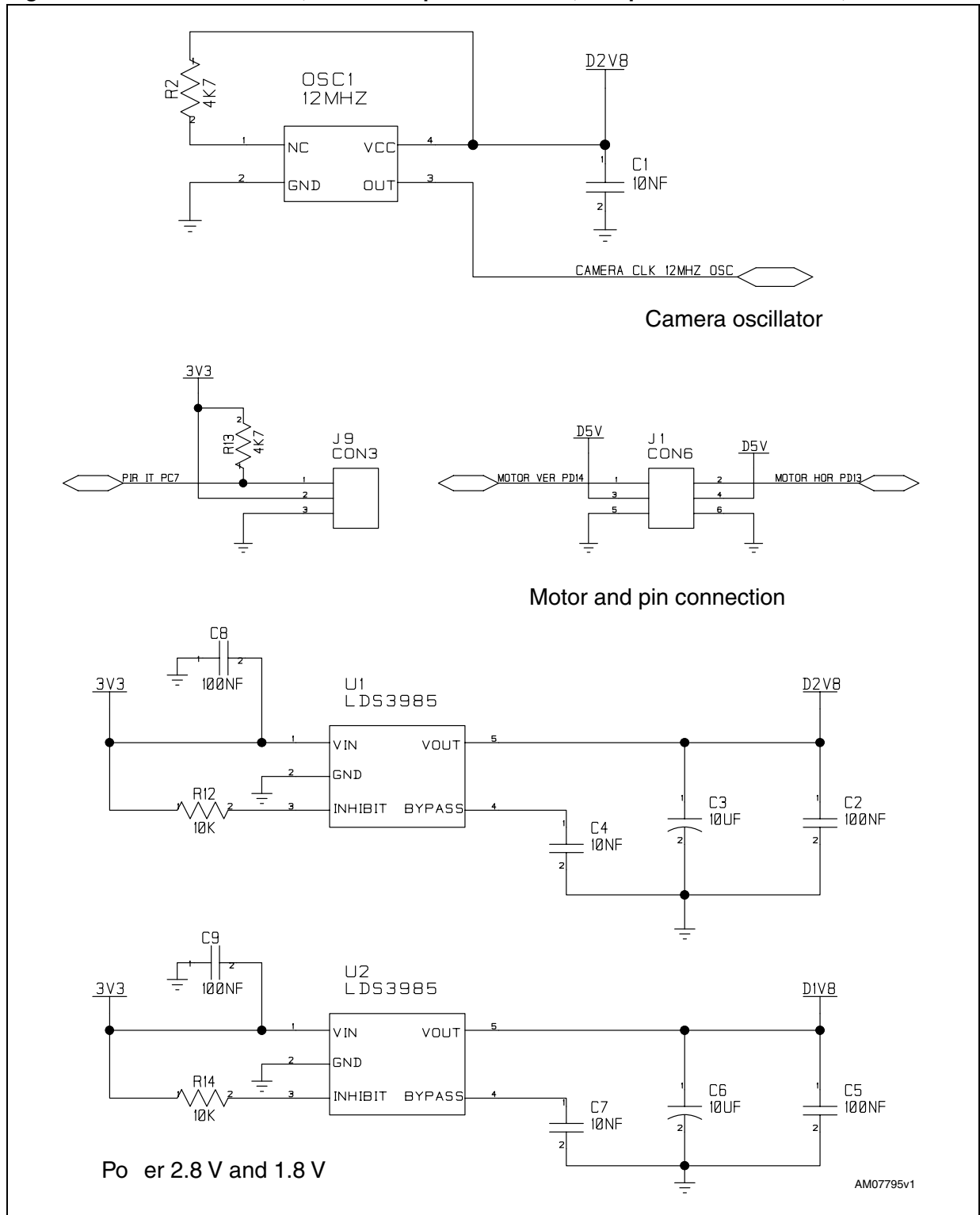
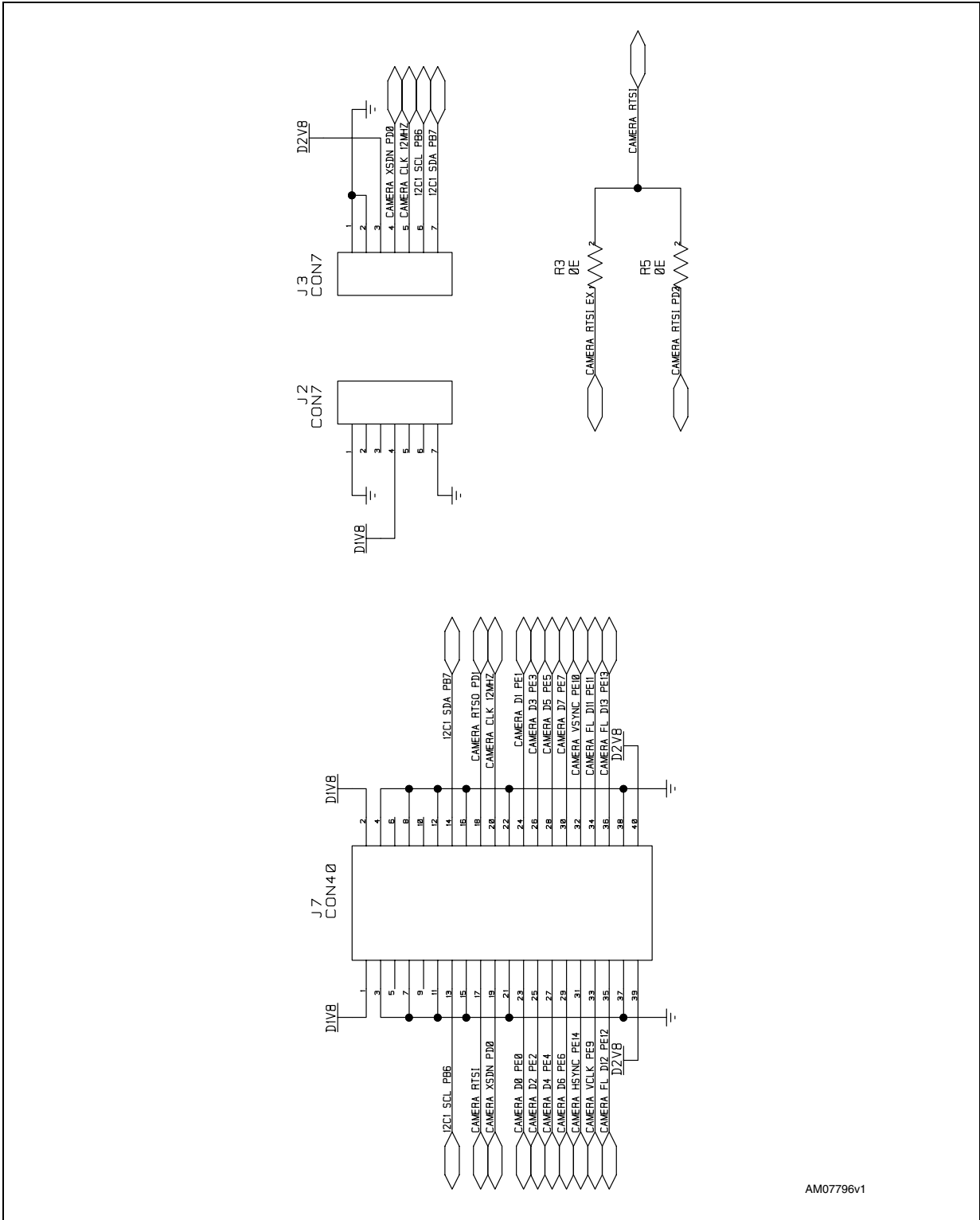


Figure 3. Camera board connector schematics



## 2 Revision history

**Table 1. Document revision history**

Date	Revision	Changes
22-Sep-2010	1	Initial release.

**Please Read Carefully:**

Information in this document is provided solely in connection with ST products. STMicroelectronics NV and its subsidiaries ("ST") reserve the right to make changes, corrections, modifications or improvements, to this document, and the products and services described herein at any time, without notice.

All ST products are sold pursuant to ST's terms and conditions of sale.

Purchasers are solely responsible for the choice, selection and use of the ST products and services described herein, and ST assumes no liability whatsoever relating to the choice, selection or use of the ST products and services described herein.

No license, express or implied, by estoppel or otherwise, to any intellectual property rights is granted under this document. If any part of this document refers to any third party products or services it shall not be deemed a license grant by ST for the use of such third party products or services, or any intellectual property contained therein or considered as a warranty covering the use in any manner whatsoever of such third party products or services or any intellectual property contained therein.

**UNLESS OTHERWISE SET FORTH IN ST'S TERMS AND CONDITIONS OF SALE ST DISCLAIMS ANY EXPRESS OR IMPLIED WARRANTY WITH RESPECT TO THE USE AND/OR SALE OF ST PRODUCTS INCLUDING WITHOUT LIMITATION IMPLIED WARRANTIES OF MERCHANTABILITY, FITNESS FOR A PARTICULAR PURPOSE (AND THEIR EQUIVALENTS UNDER THE LAWS OF ANY JURISDICTION), OR INFRINGEMENT OF ANY PATENT, COPYRIGHT OR OTHER INTELLECTUAL PROPERTY RIGHT.**

**UNLESS EXPRESSLY APPROVED IN WRITING BY AN AUTHORIZED ST REPRESENTATIVE, ST PRODUCTS ARE NOT RECOMMENDED, AUTHORIZED OR WARRANTED FOR USE IN MILITARY, AIR CRAFT, SPACE, LIFE SAVING, OR LIFE SUSTAINING APPLICATIONS, NOR IN PRODUCTS OR SYSTEMS WHERE FAILURE OR MALFUNCTION MAY RESULT IN PERSONAL INJURY, DEATH, OR SEVERE PROPERTY OR ENVIRONMENTAL DAMAGE. ST PRODUCTS WHICH ARE NOT SPECIFIED AS "AUTOMOTIVE GRADE" MAY ONLY BE USED IN AUTOMOTIVE APPLICATIONS AT USER'S OWN RISK.**

Resale of ST products with provisions different from the statements and/or technical features set forth in this document shall immediately void any warranty granted by ST for the ST product or service described herein and shall not create or extend in any manner whatsoever, any liability of ST.

ST and the ST logo are trademarks or registered trademarks of ST in various countries.

Information in this document supersedes and replaces all information previously supplied.

The ST logo is a registered trademark of STMicroelectronics. All other names are the property of their respective owners.

© 2010 STMicroelectronics - All rights reserved

STMicroelectronics group of companies

Australia - Belgium - Brazil - Canada - China - Czech Republic - Finland - France - Germany - Hong Kong - India - Israel - Italy - Japan - Malaysia - Malta - Morocco - Philippines - Singapore - Spain - Sweden - Switzerland - United Kingdom - United States of America

[www.st.com](http://www.st.com)