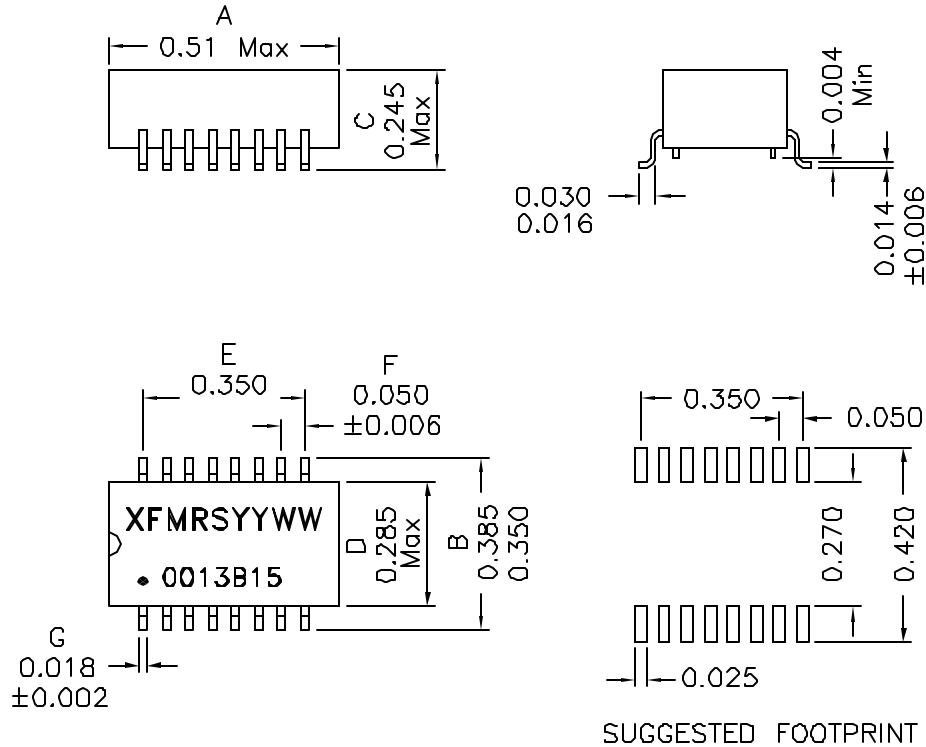
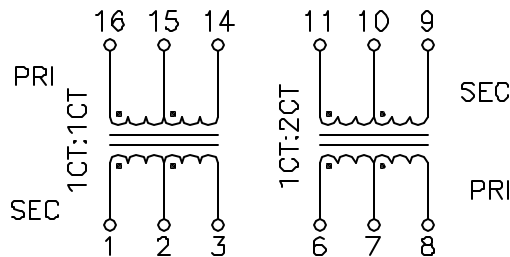


### 1. Mechanical Dimensions:



### 2. Schematic:



### 3. Electrical Specifications:@25°C

- Isolation Voltage: 1500Vac, 2 Seconds
- Turns Ratio: Pins (16-15-14):(1-2-3)=1CT:1CT±2%
- Turns Ratio: Pins (6-7-8):(11-10-9)=1CT:2CT±2%
- OCL: Pins 16-14 1.2mH Min @100KHz 50mV
- OCL: Pins 6-8 1.2mH Min @100KHz 50mV
- Q: Pins 6-8 16-14 8 Min @10KHz 50mV
- Cw/w: 30pF Max @100KHz 50mV (Pri/Sec)
- Leakage Inductance: 0.6uH Max @100KHz 50mV @PRI, Short SEC
- PRI DC Resistance: 0.70 Ohms Max
- DC Resistance: Pins 1-3 0.70 Ohms Max
- DC Resistance: Pins 11-9 1.15 Ohms Max

#### Notes:

- Solderability: Leads shall meet MIL-STD-202G, Method 208H for solderability.
- Flammability: UL94V-0
- ASTM oxygen Index: > 28%
- Insulation System: Class F 155°C. UL file E151556
- Operating Temperature Range: All listed parameters are to be within tolerance from -40°C to +85°C
- Storage Temperature Range: -55°C to +125°C
- Aqueous wash compatible
- SMD Lead Coplanarity: ±0.004"(0.102mm)
- Electrical and mechanical specifications 100% tested
- RoHS Compliant Component

DOC REV: B/14

<b>XFMRs Inc</b> www.XFMRs.com		Title: T1/CEPT/DS3 Surface Mount Transformers	
UNLESS OTHERWISE SPECIFIED TOLERANCES: .xxx ±0.010 Dimensions in Inch		P/N: XF0013B15	REV. B
SHEET 1 OF 1		DWN. CHK. APP.	Juan Mao YK Liao Joe Huff Jun-02-08 Jun-02-08 Jun-02-08