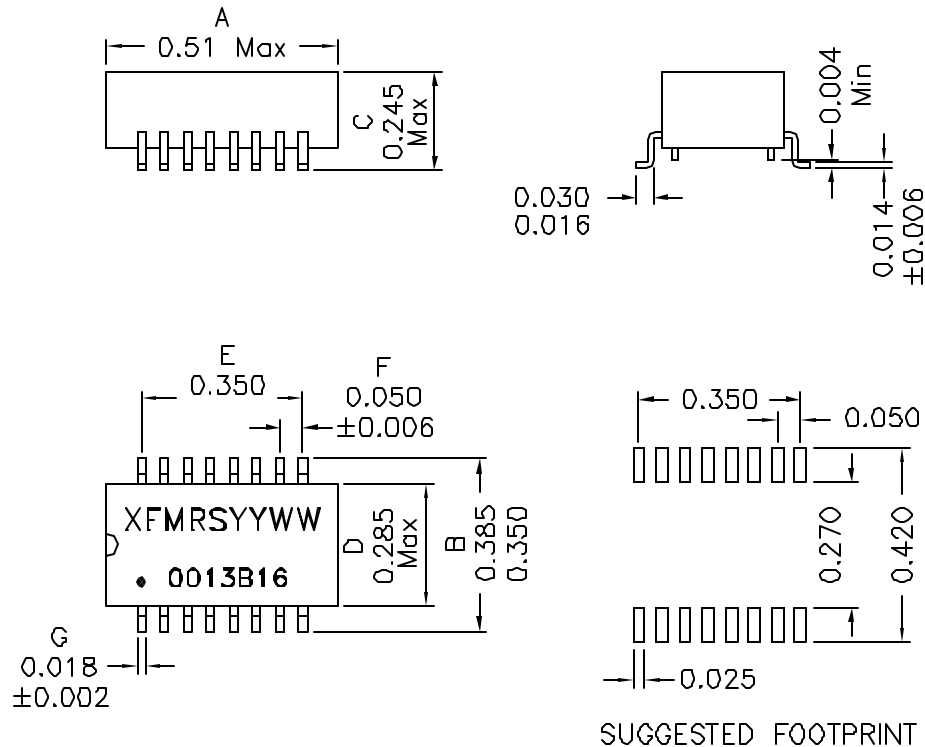
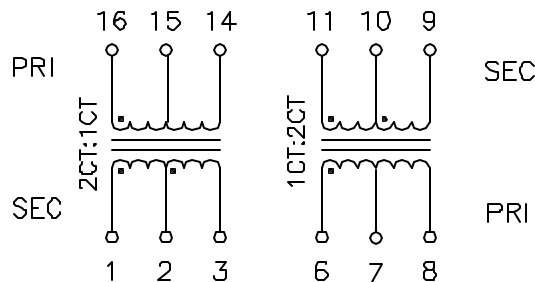


1. Dimensions:



2. Schematic:



3. Electrical Specifications: @25°C

- Isolation Voltage: 1500 Vrms
- Turns Ratio: (16-15-14):(1-2-3)=1CT:2CT ±3%
(6-7-8):(11-10-9)=1CT:2CT ±3%
- PRI OCL: 1.5mH MIN. @100KHz 50mV
- PRI Q: 8 MIN. @10KHz 50mV
- Cw/w: 45pF MAX. @100KHz 50mV (PRI/SEC)
- PRI LL: 0.6uH MAX. @100KHz 50mV (SEC Shorted)
- PRI DC Resistance: 1.0 Ohms MAX.
- SEC DC Resistance: 2.0 Ohms MAX.

Notes:

- Solderability: Leads shall meet MIL-STD-202G, Method 208H for solderability.
- Flammability: UL94V-0
- ASTM oxygen index: > 28%
- Insulation System: Class F 155°C, UL file E151555
- Operating Temperature Range: All listed parameters are to be within tolerance from -40°C to +85°C
- Storage Temperature Range: -55°C to +125°C
- Aqueous wash compatible
- SMD Lead Coplanarity: ±0.004"(0.102mm)
- Electrical and mechanical specifications 100% tested
- RoHS Compliant Component

DOC. REV: C/7

XFMR5 Inc UNLESS OTHERWISE SPECIFIED TOLERANCES: .xxx ±0.010 Dimensions in Inch SCALE 2.5:1 SHT 1 OF 1	Title: TRANSFORMER		
	P/N: XF0013B16		REV. C
	DWN.	XianYi	Aug-23-08
	CHK.	YK Liao	Aug-23-08
	APP.	Joe Huff	Aug-23-08