

New Jersey Semi-Conductor Products, Inc.

20 STERN AVE.
 SPRINGFIELD, NEW JERSEY 07081
 U.S.A.

TELEPHONE: (973) 376-2922
 (212) 227-6005
 FAX: (973) 376-8960

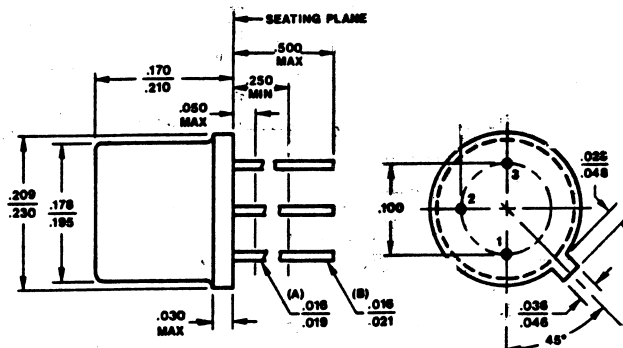
PARAMETERS

2N3227
 SI NPN LP HF BJT

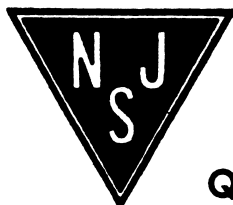
Description: Si NPN LP HF BJT

Manufacturer.....	
Mil/High-Rel? (Y/N).....	
Vbr CEO.....	20
Trans. Freq (Hz) Min.....	500M
hfe.....	5.0
@VCE (test) (V).....	10
@Ic (A).....	10m
Ic Max. (A).....	200m
C(ob) (F).....	4.0p
Icbo Max. @Vcb Max. (A).....	200n
t(on) Delay (S).....	5.0n
Tr Max. (s).....	18n
t(stor) Max. (S).....	13n
t(f) Max. (S).....	15n
Max. PD (W).....	360m
Derate (Amb) (W/xC).....	2.1m
Vbr CBO.....	40
Oper. Temp (x°C) Max.....	200u
@ Temp (derating) test xC.....	
Oper. Temp (x°C) Min.....	
Pkg Style.....	TO-18
Surface Mounted (Y/N).....	N
Pinout Equivalence Number.....	3-12

TO-18



dim. in in.



Quality Semi-Conductors