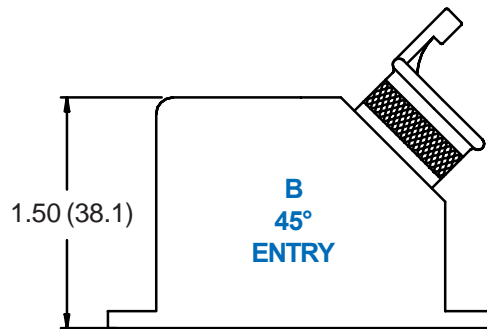
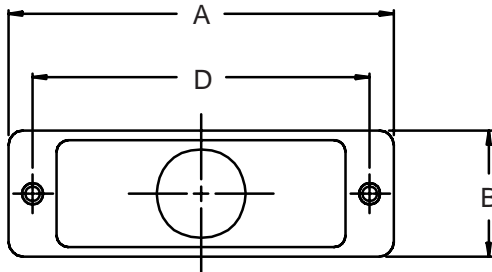
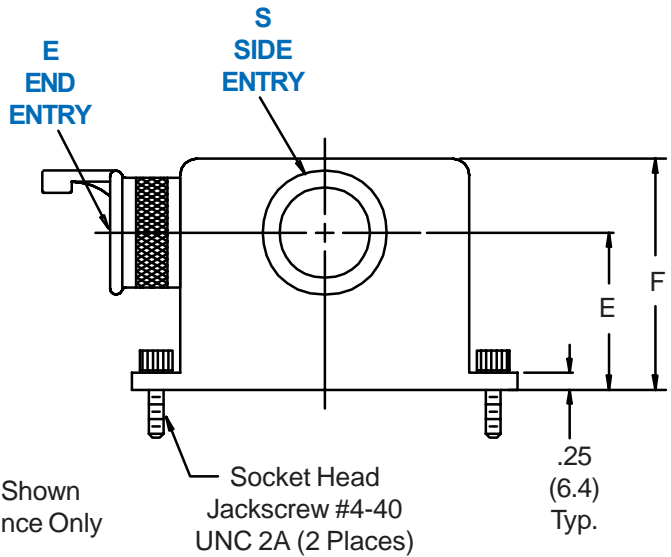
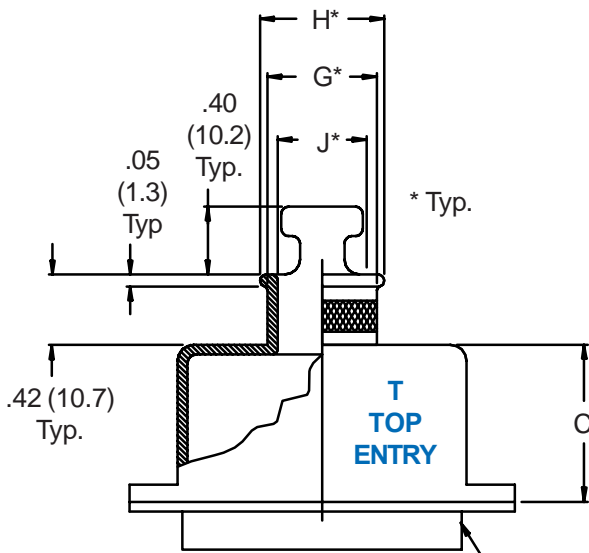


557-113 D-Subminiature Solid Banding Backshell With Qwik-Ty®

557 T 113 M 2 31 B

- Basic Part No. — 557
- Cable Entry Style — T
- T = Top
- S = Side
- B = 45°
- 113 — Basic Part Number
- M — Shell Size (Table I)
- 2 — Cable Entry (Table II)
- 31 — Finish Symbol (Page 3)
- B — Band Supplied (600-052), Omit for None



Connector Shown For Reference Only

Socket Head Jackscrew #4-40 UNC 2A (2 Places)

557-113
D-Subminiature Solid
Banding Backshell With Qwik-Ty®



MIL-C-24308
D-Subminiature

TABLE I: SHELL SIZE, BACKSHELL & CONNECTOR INTERFACE DIMENSIONS

Shell Size	A Max		B		C		D ±.005 (.1)		E		F	
	1	1.25	(31.8)	.53	(13.5)	.75	(19.1)	.984	(25.0)	1.25	(31.8)	1.88
2	1.58	(40.1)	.53	(13.5)	.75	(19.1)	1.312	(33.3)	1.25	(31.8)	1.88	(47.8)
3	2.13	(54.1)	.53	(13.5)	1.00	(25.4)	1.852	(47.0)	1.25	(31.8)	1.88	(47.8)
4	2.77	(70.4)	.53	(13.5)	1.00	(25.4)	2.500	(63.5)	1.25	(31.8)	1.88	(47.8)
5	2.68	(68.1)	.66	(16.8)	1.25	(31.8)	2.406	(61.1)	1.38	(35.1)	2.13	(54.1)

TABLE II: CABLE ENTRY

Dash No.	G Dia		H Dia		J Dia	
16	.268	(6.8)	.299	(7.6)	.188	(4.8)
23	.330	(8.4)	.361	(9.2)	.250	(6.4)
30	.392	(10.0)	.423	(10.7)	.312	(7.9)
31	.455	(11.6)	.486	(12.3)	.375	(9.5)
32	.517	(13.1)	.548	(13.9)	.438	(11.1)
33*	.642	(16.3)	.673	(17.1)	.562	(14.3)

* Available in Shell Size 5 only.

Metric dimensions (mm) are indicated in parentheses.