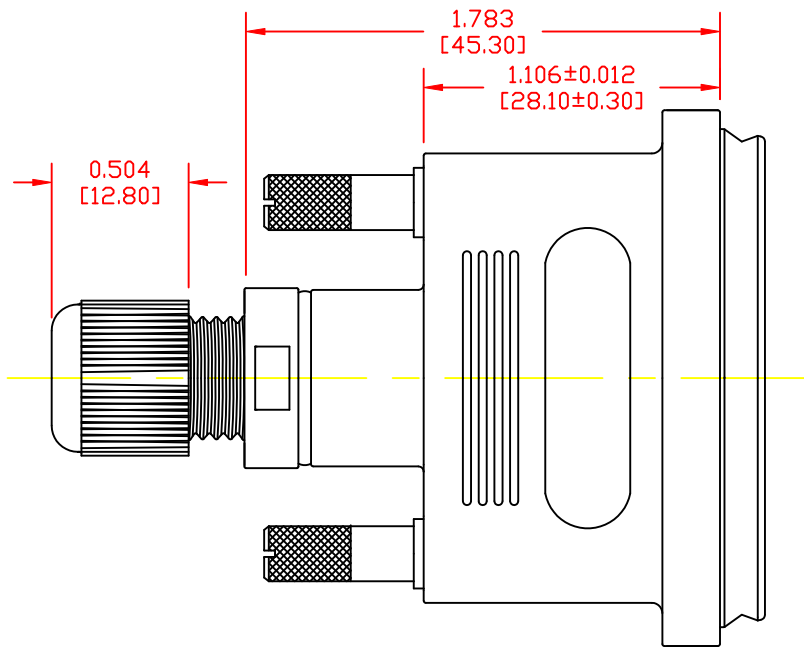
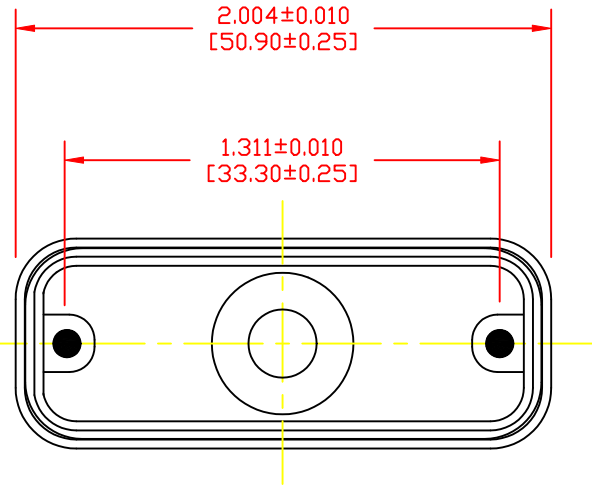
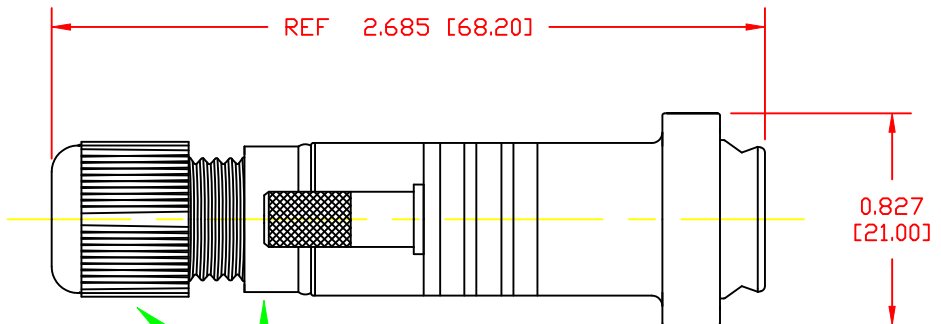


DESCRIPTION: IP67 - 15 POSITION PLASTIC BACKSHELL - ONLY



**MATERIAL & FINISH:**


- BACKSHELL: ABS - UL HB RATED, BLACK COLOR
- BAUSHINGS & BAFFLE: SILICONE
- 4-40 THUMBSCREWS: BRASS, NICKEL PLATED
- TEMPERATURE: -50°C TO 125°C
- CABLE DIAMETER: 0.300 inches [7.62mm] Max.



**TORQUE  
SETTING**  
6.075-9.547 in.lbs  
[7-11 kgf.cm]

**RoHS COMPLIANT**

**DO NOT SCALE FROM DRAWING**

	THESE DRAWINGS AND SPECIFICATIONS ARE THE PROPERTY OF NorComp AND SHALL NOT BE REPRODUCED, COPIED OR USED AS THE BASIS FOR THE MANUFACTURE OF SALE OF APPARATUS WITHOUT WRITTEN PERMISSION.			DRAWN: M. SIGMON	DATE: 12-15-10
	NorComp			CHECKED:	DATE:
SCALE: 2 : 1				SHEET 1 OF 1	REV 3
DWG NO. 967-015-010R011					