

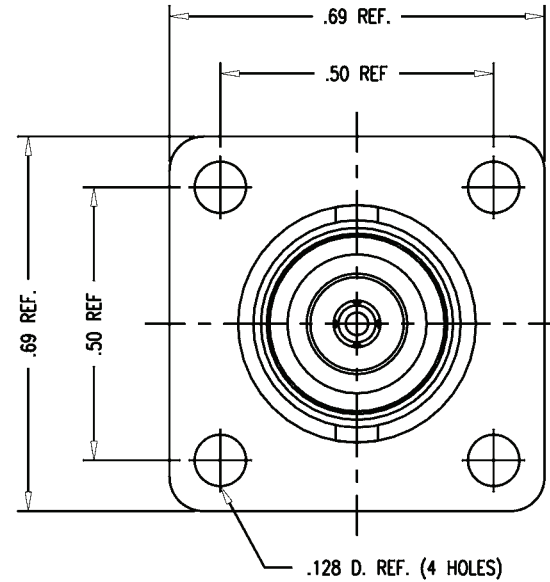
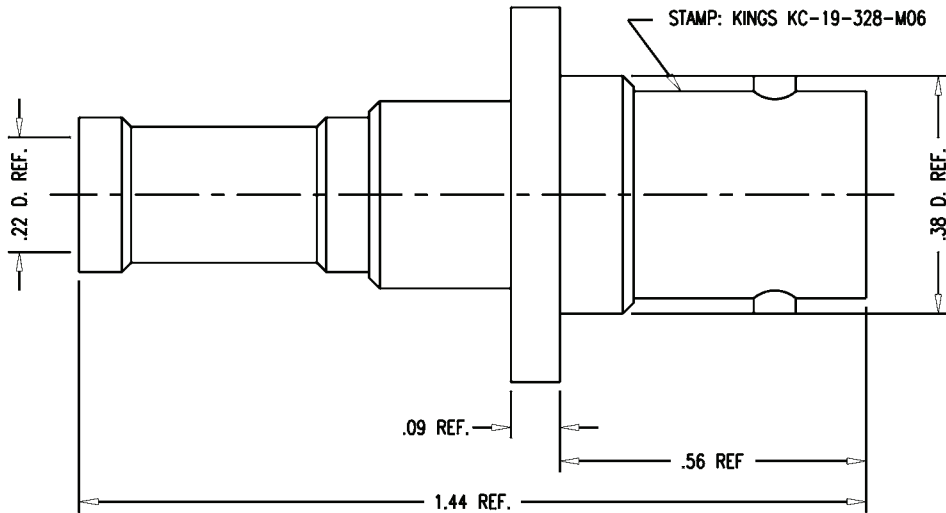
DASH NO.	M CODE	MADE FROM
----------	--------	-----------

GSD

KC-19-328-M06

REVISIONS

ISSUE	CHANGES
2	CN 32325 A JCA 07/16/90



NOTES:

- FOR USE WITH RG-142 CABLE GROUP.
- FOR CABLING INSTRUCTIONS SEE CP-5401.
- FOR CABLE TRIMMING USE KTJ-149 AND KTD-166.
- FOR CRIMPING USE DIE KTH-2061.
- MATERIALS:
GASKET: SILICONE RUBBER, ZZ-R-765
INSULATOR: TEFLON, ASTM-D-4894
K-GRIP SLEEVE: COMMERCIAL BRONZE, ASTM-B-140
CENTER CONTACT: BERYLLIUM COPPER, ASTM-B-196
ALL OTHER METAL PARTS: BRASS, ASTM-B16
- FINISHES:
CENTER CONTACT: HARD GOLD PLATE PER MIL-G-45204
ALL OTHER METAL PARTS: KINGS TARNISH RESISTANT NICKEL FINISH (TR-5)
- ELECTRICAL CHARACTERISTICS:
NOMINAL IMPEDANCE: 50 OHMS
FREQUENCY RANGE: DC TO 4 GHz
VOLTAGE RATING: 500 VOLTS RMS
- MARK PACKAGE: KINGS KC-19-328-M06
XXXX (DATE CODE)

QGS0058

SCALE 4:1

APPROX SURFACE AREA

WAS: E-14822

USED ON

REF: BOEING

JACK, PANEL, BNC

DRAWN ME DATE 01/13/95

DESIGN MJB DATE 01/13/95

APPR. DATE

KINGS
ELECTRONICS CO., INC.
TUCKAHOE, NEW YORK 10707

GSD

KC-19-328-M06