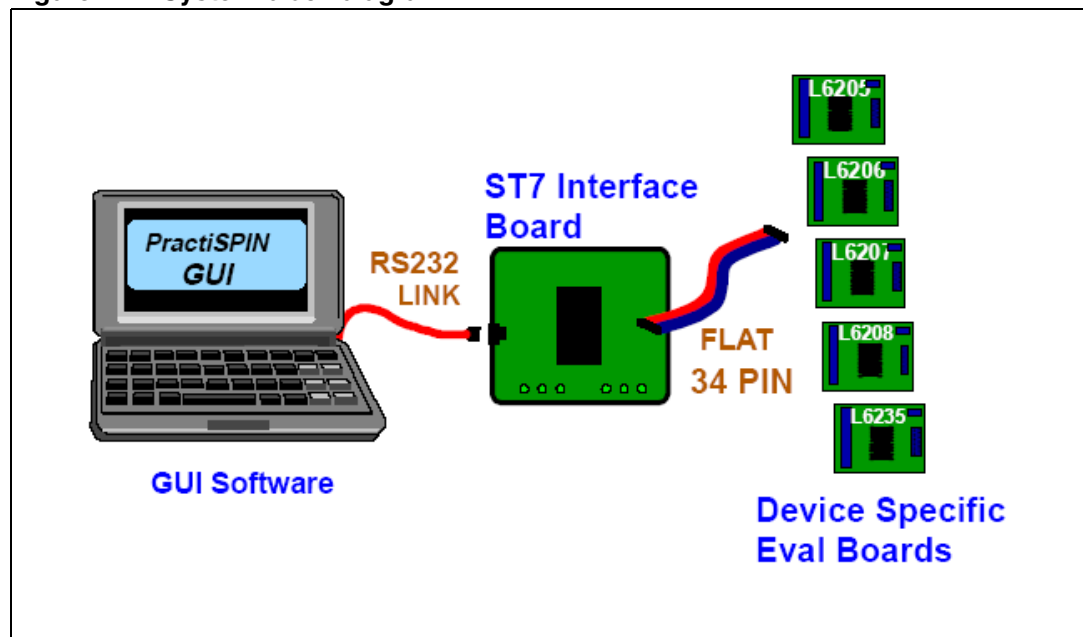


Introduction

PractiSPIN is an evaluation and demonstration system that can be used with several STMicroelectronics motor driver integrated circuit devices. The system consists of a Graphical User Interface (GUI) program which runs on an IBM-PC under windows, a common ST7 based interface board that communicates with the PC and the practiSPIN software via a serial COMM port, and a device specific evaluation or target board that connects to the ST7 interface board via a standard 34 pin ribbon cable interface, as shown in [Figure 1](#). The target PCB connects to the motor or motors and to a user supplied DC power supply generally in the range of 12 to 48 Vdc.

The practiSPIN system is designed to operate the device being evaluated (the target device) under control of the practiSPIN software. Depending on which target device is being used, the practiSPIN software can operate the device to drive a stepper motor, 1 or 2 DC motors or a brushless DC (BLDC) motor.

Figure 1. System block diagram



Contents

- 1 System overview 5**
 - 1.1 Target board 5
 - 1.2 Control interface board 5
- 2 Starting practiSPIN 7**
- 3 Stepper motor drive 8**
 - 3.1 Constant speed mode 8
 - 3.2 Indexing mode 9
- 4 DC motor drive 10**
 - 4.1 Dual DC motor control mode 10
- 5 BLDC motor drive 11**
 - 5.1 BLDC motor control mode 11
- 6 EVAL6205N board configuration 12**
 - 6.1 Vref offset adjustment (R18) 14
 - 6.2 Current scaling 14
- 7 EVAL6206N board configuration 15**
 - 7.1 Vref offset adjustment (R18) 17
 - 7.2 Current scaling 17
- 8 EVAL6206PD board configuration 18**
 - 8.1 Vref offset adjustment (R18) 20
 - 8.2 Current scaling 20
- 9 EVAL6207N board configuration 21**
 - 9.1 Vref offset adjustment (R18) 23
 - 9.2 Current scaling 23
- 10 EVAL6208N board configuration 24**
 - 10.1 Vref offset adjustment (R18) 26

	10.2	Current scaling	26
11		EVAL6208PD board configuration	27
	11.1	Vref offset adjustment (R18)	29
	11.2	Current scaling	29
12		EVAL6235 board configuration	30
	12.1	Vref offset adjustment (R18)	32
	12.2	Current scaling	32
13		Revision history	33

List of figures

Figure 1.	System block diagram	1
Figure 2.	ST7 interface board	6
Figure 3.	EVAL6205N schematic	13
Figure 4.	EVAL6206 schematic	16
Figure 5.	EVAL6206PD schematic	19
Figure 6.	EVAL6207N schematic	22
Figure 7.	EVAL6208N schematic	25
Figure 8.	EVAL6208PD schematic	28
Figure 9.	EVAL6235 schematic	31

1 System overview

To illustrate the operation of the practiSPIN system, we will look at one typical device supported by the system.

The L6207 includes two independent full or H bridges with separate logic inputs and current control functions.

The two bridges are designated A and B and their output pins designated as OUT1A, OUT2A, OUT1B, and OUT2B. These outputs are controlled independently by logic inputs IN1A, IN2A, IN1B, and IN2B respectively.

A logic high or low on any of these inputs will drive its corresponding output to the positive supply rail or to ground. Both of the A outputs will be forced to an off (high impedance) state if the ENA pin is taken logic low, as will the B outputs if ENB is taken low. The L6207 is thus controlled by six logic inputs: IN1A, IN2A, and ENA controlling bridge A and IN1B, IN2B, and ENB controlling bridge B. Each bridge also has an analog control signal, VREFA and VREFB, which control the current.

1.1 Target board

The L6207 target board gives access to the bridge A and B outputs at connectors CN3 and CN4 respectively.

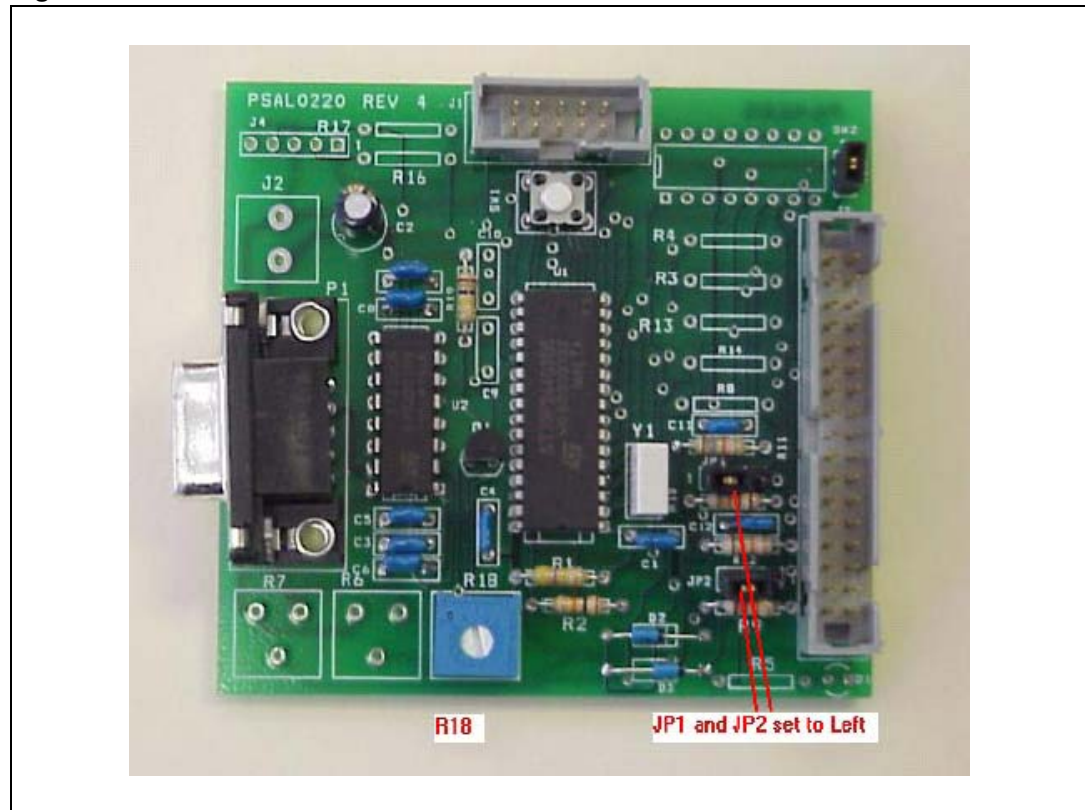
When driving a stepper motor, the two wires from one of the motor windings will connect to CN3 and the other winding will connect to CN4. Swapping between the two connectors or swapping the polarity at a given connector will only reverse the sense of motor direction. DC supply power in the range of 12 to 48 Vdc is connected at CN1. The polarity marked on the board silkscreen must be strictly observed! The eight control signals are taken from the 34-pin ribbon header (CN5) and are driven by the control interface PCB via a short flat cable.

1.2 Control interface board

The control interface PCB is based on an ST72F264 microcontroller. The micro includes a UART and communicates with the practiSPIN software via 9 pin D connector P1 employing a standard RS232 interface.

The micro is based on flash memory and its firmware includes a write protected boot-loader routine that allows the practiSPIN software to update or change the operating program in the ST7 as required for different target boards. 5 Vdc power for the board is received via the 34-pin ribbon cable from the target board or can be directly supplied at J2 if jumper WJ1 is removed. The eight control signals for the target board are generated by the ST7 micro. The six logic signals are generated directly by six of the eight pins of port B while the two analog current references (VREFA and VREFB) are generated by pulse width modulated (PWM) signals generated by the ST7 along with an offset adjusting circuit controlled by potentiometer R18.

Figure 2. ST7 interface board



2 Starting practiSPIN

Since the practiSPIN system is capable of supporting several driver IC's and driving different types of motors the user must first select the type of motor to be driven and the driver IC that will be evaluated.

1. Target board set up: configure the jumpers/switches on the target board and the ST7 interface board as described in the paragraph for the specific evaluation board being used.
2. Control board - PC connection: connect the ST7 interface board to a serial COMM port of the PC via a standard (straight through) 9 pin D connector cable.
3. Power up: energize the power supply.
4. Start practiSPIN software: on the PC, start the practiSPIN program.
5. Motor type selection: on the first screen of the practiSPIN software, the user can select the appropriate type of motor for the device under evaluation. Click on the appropriate motor type.
6. Communication settings: click the drop down list under "port selection" and select the COMM port being used. Baud rate and other communication parameters are fixed on both sides of the link and do not need to be set.
7. Establish COMM link: click the "Connect With ST7 Hardware". At this point the practiSPIN software will transmit several commands to the ST7 to initialize the processor. The practiSPIN software will read the revision code of the firmware currently stored in the flash memory of the ST7 and determine if the correct version of firmware resides in the ST7. If the practiSPIN software detects that a firmware update is necessary, either because there is an old version of firmware or the firmware currently in the flash memory is not the correct firmware for the motor type selected, one or more dialogue boxes will appear asking if the program should proceed with the update. Accept the updates and the practiSPIN software will automatically update the firmware. The system will then initialize the settings to the last stored settings and open the appropriate practiSPIN software for the selected motor type.
8. Calibrate current setting: when communication is established the user has the option to adjust the offset and maximum current settings. If this is the first time you use the system, calibration may be needed to adjust out the offset in the reference bias circuitry. Calibration ensures that the reference voltage provided to L62XX IC follows the practiSPIN software current settings. Calibration is a two-step process; first the offset is adjusted then the maximum current is set.
 - a) To null out the offset, click on CALIBRATE ZERO then adjust R18 (on ST7 board) until voltage at Vref pin(s) of the L62XX device is zero. Measurement points on each board are listed in the set up section for each target board.
 - b) The maximum current, corresponding to 100% current setting in the practiSPIN software, can be adjusted using the Vref potentiometers on the target board. If the potentiometers are set to full scale (clockwise) the reference applied to the input of the device is typically about 0.88 V. The full-scale peak current is equal to V_{ref}/R_{sense} where R_{sense} is the composite value of the sense resistor on the board. To set the maximum current, click on CALIBRATE MAX and trim the Vref potentiometer(s) on the EVAL62XX board to set the desired reference. If you plan to use microstepping, consider reducing the maximum Vref to the real peak value you will use, allowing setting the software current controls near to 100%, avoiding poor Vref resolution.

3 Stepper motor drive

After the system has established the connection to the interface board, it will initialize the settings to the last stored settings and open the appropriate GUI for the selected motor type. For the Stepper motor, the system can operate in either a constant speed or positioning (indexing) mode. The constant speed mode can easily be used to see that the system is working.

3.1 Constant speed mode

1. Speed control screen: a large blue button at the bottom of the screen should read, "switch to INDEXING MODE". If the button reads, "switch to SPEED CONTROL MODE", click the button once to go to speed control mode.
2. Stepping mode: in the stepping mode box, select either Normal or Half Step. Microstepping mode is only available when using the L6208.
3. Device selection: in the device selection box, select the device being evaluated.
4. direction: in the direction box, click the toggle switch to pick forward or reverse. This is somewhat arbitrary since we probably don't know what the direction sense of the motor will be. Once the motor is running, toggle this switch to reverse the motor direction if desired. To reverse the meaning of the forward and reverse designations, disable the motor (orange disable button at bottom of screen) and then swap the motor wires at either CN3 or CN4.
5. Decay mode: only the L6208 allows the selection of fast or slow decay. Set the toggle switch to slow decay.
6. Accel rate: set the accel rate to about 1000 steps per second per second (steps/sec²). In the practiSPIN system all motion parameters are given in terms of the basic units of steps and seconds: position in steps, velocity in steps/sec, and accel/decel in steps/sec². In order to relate these settings to rotations, RPM, and RPM/second it is necessary to know the number of steps (or half steps) per rotation for the stepper motor being used. A common value is 200 steps or 400 half steps per rotation.
7. Running speed: set running speed to about 100 steps/sec.
8. Decel rate: set decel. rate to about 1000 steps/sec².
9. Accel current: set accel current to about 25%. This is an initial guess as to the required setting and may need further adjustment. Generally higher accel rate settings require higher accel current settings so that the stepper motor does not start to "slip poles" and fall behind the desired position. Since we have initially set the acceleration rate setting quite low, 25% is probably adequate.
10. Running current: set the running current to 25%. In practice the running current can often be set to a lower value than the accel current since the torque requirement is generally less during the constant speed part of the move. A lower running current setting can help to keep the device and the motor running cooler.
11. Decel current: set the decel current to 25%. Since friction aids in decelerating the motor it may also be possible to set the decel current lower.
12. Holding current: set the holding current to 25%. Whenever the motor is stopped (after a run,) this level of current will circulate in the motor so that it will hold position against any mechanical disturbance.

In the case of a strong static load (perhaps a gravity load of some sort) it may be necessary to increase this setting. If not much holding torque is required, then the setting can be reduced so that operating temperatures can be held to a minimum.

Note: Holding current will be turned off (bridge completely disabled) whenever the disable button is clicked.

13. Run: make sure that the motor is free to turn in either direction and click the run button. The motor should quickly come up to speed ($(100 \text{ steps/sec}) / (1000 \text{ steps/sec}^2) = 0.1 \text{ sec.}$). To change the motor direction, click the direction toggle switch. If the motor does not run click the stop button, increase all four current settings to 50%, and click run button. If the motor still does not run an oscilloscope and current probe should be used to observe the motor current.

14. Stop: click stop to stop the motor.

After the basic operation of the system has been verified, the acceleration rates, top speed, and current settings can be adjusted to see how the motor responds.

3.2 Indexing mode

The system can be switched to operate in the positioning (indexing) mode by clicking on "switch to INDEXING MODE". In the indexing mode a new box appears on the right of the screen. You can enter up to twelve indexed movements in the box and the wait time between each movement. When started, the software will execute each movement by accelerating up to the peak speed, moving the required number of steps and then decelerating back to a stop so that the total distance moved is the number of steps indicated, then wait the indicated time before starting the next movement. A negative number entered in the relative position will cause the motor to run in the "reverse" direction.

4 DC motor drive

After the system has established the connection to the interface board, it will initialize the settings to the last stored settings and open the appropriate practiSPIN software for the selected motor type. For DC motor drive, the system operates in an open loop duty cycle control mode with cycle-by-cycle current limit.

4.1 Dual DC motor control mode

1. Direction: in the direction box for each motor, click the toggle switch to pick forward or reverse. This is somewhat arbitrary since we probably don't know what the direction sense of the motor will be. Once the motor is running, toggle this switch to reverse the motor direction if desired. To reverse the meaning of the forward and reverse designations, disable the motor (orange disable button at bottom of screen) and then swap the motor wires at either CN3 or CN4.
2. Braking: toggle the "Brake when Stop" switch to the OFF position for both motors. This will cause the motor to coast to rest when stopped, with the bridge placed in a high impedance state. If desired this function can later be toggled on but some care should be exercised. Braking will effectively short out the motor armature through two transistors in the bridge, which could cause excessive current and power dissipation if the motor and load have a large moment of inertia (thus a large amount of stored mechanical to be dissipated) or the motor has a very low resistance (resulting in a large current flow). Most smaller DC motors with several ohms of resistance do not pose a risk.
3. Current: set the current for both motors to approximately 25%. This is an initial guess as to the required setting and may need further adjustment.
4. Voltage: set the voltage for both motors to approximately 50%.
5. Run: make sure that the motors are free to turn in either direction and click the run button. the motors should come up to approximately half of the speed that would be expected at this supply voltage. To change the motor direction, click the direction toggle switch. If the motors do not run click the STOP button, increase both current settings to 50%, and click RUN button. If the motors still do not run an oscilloscope and current probe should be used to observe the motor current
6. Stop: click stop to stop the motor.

After the basic operation of the system has been verified, adjust voltage, current, direction and other parameters to evaluate the system.

5 BLDC motor drive

After the system has established the connection to the interface board, it will initialize the settings to the last stored settings and open the appropriate practiSPIN software for the selected motor type. For BLDC motor drive, the system operates in an open loop duty cycle control mode with cycle-by-cycle current limit.

5.1 BLDC motor control mode

1. Direction: in the direction box for each motor, click the toggle switch to pick forward or reverse. This is somewhat arbitrary since we probably don't know what the direction sense of the motor will be. Once the motor is running, toggle this switch to reverse the motor direction if desired.
2. Braking: toggle the "Brake when Stop" switch to the OFF position. This will cause the motor to coast to rest when stopped, with the bridge placed in a high impedance state. If desired this function can later be toggled on but some care should be exercised. Braking will effectively short out the motor armature through three transistors in the bridge, which could cause excessive current and power dissipation if the motor and load have a large moment of inertia (thus a large amount of stored mechanical to be dissipated) or the motor has a very low resistance (resulting in a large current flow). Most smaller BLDC motors with several ohms of resistance do not pose a risk.
3. Current: set the current to approximately 25%. This is an initial guess as to the required setting and may need further adjustment.
4. Voltage: set the voltage to approximately 50%.
5. Run: make sure that the motor is free to turn in either direction and click the run button. The motor should come up to approximately half of the speed that would be expected at this supply voltage. To change the motor direction, click the direction toggle switch. If the motor does not run click the stop button, increase the current settings to 50%, and click run button. If the motor still does not run an oscilloscope and current probe should be used to observe the motor current.
6. Stop: click stop to stop the motor.

After the basic operation of the system has been verified, adjust voltage, current, direction and other parameters to evaluate the system.

6 EVAL6205N board configuration

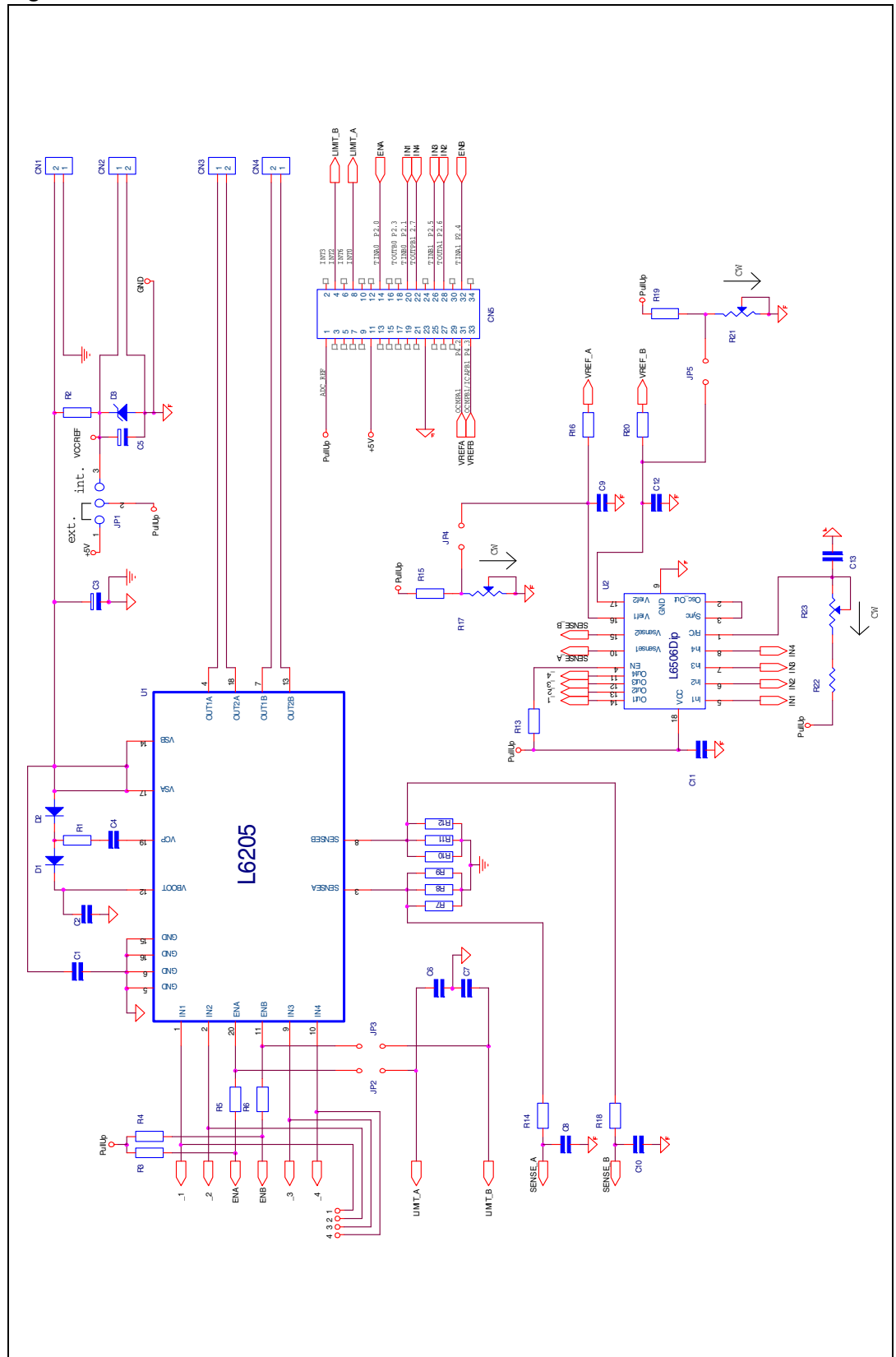
The schematic of the EVAL6205N board is shown in [Figure 3](#). To use the EVAL6205N board with practiSPIN system, the following configuration settings must be made on the EVAL6205N:

1. Component updates: depending on the revision of the board, some or all of the following changes may be required (or desirable):
 - a) To assure safe overcurrent operation: change C6 and C7 to 5.6 nF Change R5 and R6 to 100 k Ω
 - b) To assure an adequate 5 V supply, R2 may need to be changed. The minimum value for R2 is $(V_s - 5)/(0.03 + I)$ Ω . Where: V_s is the supply voltage and I is any additional load placed on the 5 V supply (in amps).
2. JP1: place JP1 in the INT position to enable the on-board 5 Vdc supply.
3. JP2 and JP3: install JP2 and JP3 to assure proper timing operation of the L6205's internal high side overcurrent protection.
4. JP4 and JP5: install JP4 and JP5 to configure the Vref circuits.
5. R17 & R21: adjust multi-turn trim potentiometers R17 and R21 fully clockwise.

Note: A slight click can be heard from the pot when it reaches its end of travel.

6. R23 Adjust multi-turn trim pot R23 to the middle of its range. This pot sets the frequency of the cycle-by-cycle current controller and can be fine tuned while observing the motor current on an oscilloscope or by simply adjusting to raise the frequency of the audible switching noise to an inaudible level if required.
7. Motor connections: connect the motor coils at CN3 and CN4. When driving a stepper motor, one winding is connected to CN3 and the second winding is connected to CN4. For operation with 2 DC motors one motor is connected to each connector.
8. Power supply: connect, but do not energize, a 12 to 48 Vdc power supply at CN1 (positive to V_{in} and negative to GND).
9. Using a 34 pin ribbon cable connect the EVAL6205N board to the control interface board. The two boards should be placed on the bench so that their 34 pin headers are side by side with the ribbon cable going straight across. Set the following on the ST7 interface board.
10. WJ1: install WJ1 on the ST7 based control interface board. This allows 5 Vdc power to be obtained from the target board.
11. JP1 and JP2 and R18: install the JP1 and JP2 jumpers to short the center and left pins together as shown in [Figure 2](#). This is critical as excessive motor current can result from misplacement of these jumpers! Set potentiometer R18 to about 50%.

Figure 3. EVAL6205N schematic



6.1 Vref offset adjustment (R18)

Using a voltmeter monitor the voltage at jumper JP4 or JP5 the EVAL6205N board with respect to GND (CN1) when calibrating the offset.

6.2 Current scaling

When potentiometers R17 and R21 are set full clockwise, a 100% current setting on the practiSPIN software screen corresponds to a Vref of approximately 0.88 Vdc or a peak motor current of about 2.64 A.

The peak current can be set to a lower value by adjusting R17 and R21. The reference voltage inputs can be monitored at JP4 and JP5.

7 EVAL6206N board configuration

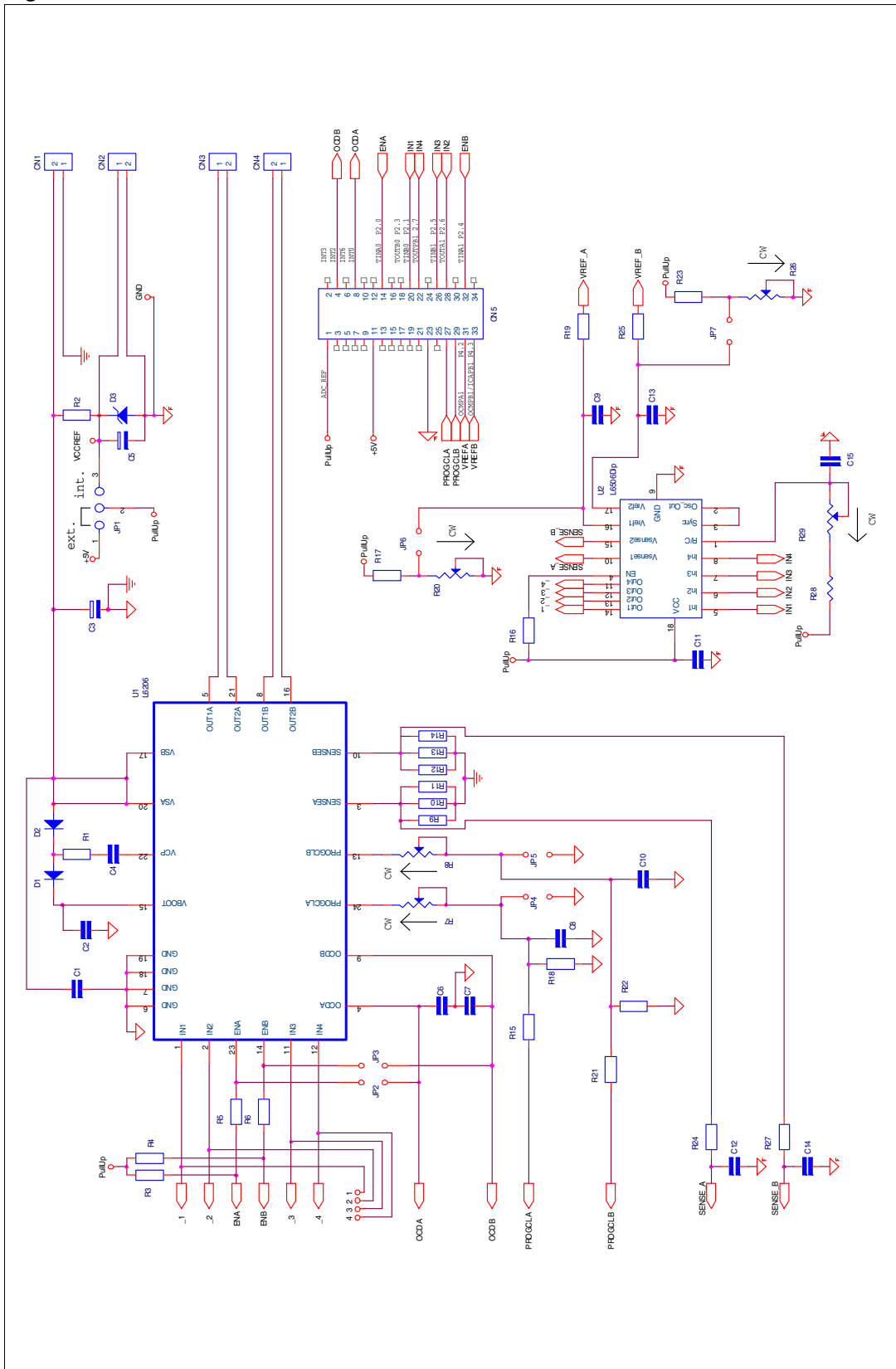
The schematic of the EVAL6206N board is shown in [Figure 4](#). To use the EVAL6206N board with practiSPIN system, the following configuration settings must be made on the EVAL6206N:

1. Component updates: depending on the revision of the board, some or all of the following changes may be required (or desirable):
 - a) To assure safe overcurrent operation:
 - Change C6 and C7 to 5.6 nF
 - Change R5 and R6 to 100 k Ω
 - b) To assure an adequate 5 V supply, R2 may need to be changed. The minimum value for R2 is $(V_s - 5)/(0.03 + I)$ Ω . Where: V_s is the supply voltage and I is any additional load placed on the 5 V supply (in amps).
2. JP1: place JP1 in the INT position to enable the on-board 5 Vdc supply.
3. JP2 and JP3: install JP2 and JP3 to enable the L6206's internal high side overcurrent protection.
4. JP4 and JP5: install JP4 and JP5 to set internal overcurrent threshold to maximum. If desired, these jumpers can be left out and the overcurrent levels may be set using potentiometers R7 and R8.
5. JP6 and JP7: install JP6 and JP7 to configure the Vref circuits.
6. R20 and R26 adjust multi-turn trim pots R20 and R26 fully clockwise.

Note: A slight click can be heard from the pot when it reaches its end of travel.

7. R29: adjust multi-turn trim pot R29 to the middle of its range. This pot sets the chopping frequency of the L6506 current controller and can be fine tuned while observing the motor current on an oscilloscope or by simply adjusting to raise the frequency of the audible switching noise to an inaudible level if required.
8. Motor connections: connect the motor coils at CN3 and CN4. When driving a stepper motor, one winding is connected to CN3 and the second winding is connected to CN4. For operation with 2 DC motors one motor is connected to each connector.
9. Power supply: connect, but do not energize, a 12 to 48 Vdc power supply at CN1 (positive to V_{in} and negative to GND).
10. Using a 34 pin ribbon cable connect the EVAL6205N board to the control interface board. The two boards should be placed on the bench so that their 34 pin headers are side by side with the ribbon cable going straight across. Set the following on the ST7 interface board.
11. WJ1: install WJ1 on the ST7 based Control Interface Board. This allows 5 Vdc power to be obtained from the target board.
12. JP1 and JP2 and R18: install the JP1 and JP2 jumpers to short the center and left pins together as shown in [Figure 2](#). This is critical as excessive motor current can result from misplacement of these jumpers! Set potentiometer R18 to about 50% .

Figure 4. EVAL6206 schematic



7.1 Vref offset adjustment (R18)

Using a voltmeter monitor the voltage at jumper JP6 or JP7 the EVAL6206N board with respect to GND (CN1) when calibrating the offset.

7.2 Current scaling

When potentiometers R20 and R26 are set full clockwise, a 100% current setting on the practiSPIN software screen corresponds to a Vref of approximately 0.88 Vdc or a peak motor current of about 2.64 A.

The peak current can be set to a lower value by adjusting R17 and R21. The reference voltage inputs can be monitored at JP6 and JP7.

8 EVAL6206PD board configuration

The schematic of the EVAL6206PD board is shown in [Figure 5](#). To use the EVAL6206PD board with practiSPIN system, the following configuration settings must be made on the EVAL6206PD:

1. Component updates: depending on the revision of the board, some or all of the following changes may be required (or desirable):
 - a) To assure safe overcurrent operation:
 - Change C6 and C7 to 5.6 nF
 - Change R4 and R5 to 100 k Ω
 - b) To assure an adequate 5 V supply, R1 may need to be changed. The minimum value for R1 is $(V_s - 5)/(0.03 + I)$ Ω . Where: V_s is the supply voltage and I is any additional load placed on the 5 V supply (in amps).
2. JP1: place JP1 in the INT position to enable the on-board 5 Vdc supply.
3. JP2 and JP3: install JP2 and JP3 to enable the L6206's internal high side overcurrent protection.
4. JP4 and JP5: install JP4 and JP5 to set internal overcurrent threshold to maximum. If desired, these jumpers can be left out and the overcurrent levels may be set using potentiometers R6 and R7.
5. R16 and R22: adjust multi-turn trim pots R16 and R22 fully clockwise.

Note: A slight click can be heard from the pot when it reaches its end of travel.

6. R25 Adjust multi-turn trim pot R25 to the middle of its range. This pot sets the chopping frequency of the L6506 current controller and can be fine tuned while observing the motor current on an oscilloscope or by simply adjusting to raise the frequency of the audible switching noise to an inaudible level if required.
7. Motor connections: connect the motor coils at CN3 and CN4. When driving a stepper motor, one winding is connected to CN3 and the second winding is connected to CN4. For operation with 2 DC motors one motor is connected to each connector.
8. Power supply: connect, but do not energize, a 12 to 48 Vdc power supply at CN1 (positive to V_{in} and negative to GND).
9. Using a 34 pin ribbon cable connect the EVAL6205N board to the control interface board. The two boards should be placed on the bench so that their 34 pin headers are side by side with the ribbon cable going straight across.

Set the following on the ST7 interface board

- WJ1: Install WJ1 on the ST7 based control interface board. This allows 5 Vdc power to be obtained from the target board.
- JP1 and JP2 and R18: install the JP1 and JP2 jumpers to short the center and left pins together as shown in [Figure 2](#). This is critical as excessive motor current can result from misplacement of these jumpers! Set potentiometer R18 to about 50%.

8.1 Vref offset adjustment (R18)

Using a voltmeter monitor the voltage at the junction of R12 and R16 or the Junction of R20 and R22 on the EVAL626PD board with respect to GND (CN1) when calibrating the offset.

8.2 Current scaling

When potentiometers R16 and R22 are set full clockwise, a 100% current setting on the practiSPIN software screen corresponds to a Vref of approximately 0.88 Vdc or a peak motor current of about 4.4 A. The peak current can be set to a lower value by adjusting R16 and R22.

9 EVAL6207N board configuration

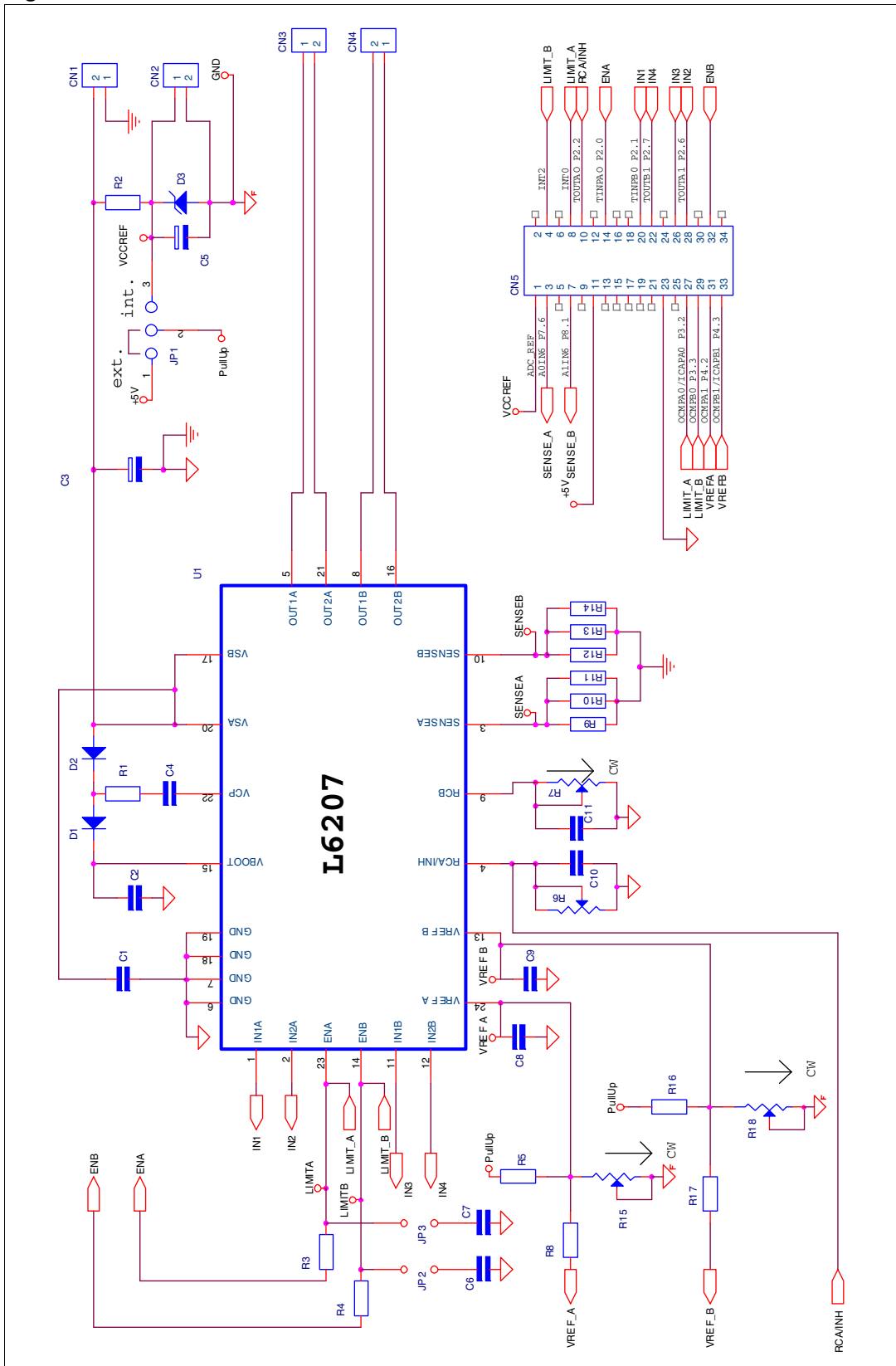
The schematic of the EVAL6207N board is shown in [Figure 6](#). To use the EVAL6207N board with practiSPIN system, the following configuration settings must be made on the EVAL6207N:

1. Component updates: depending on the revision of the board, some or all of the following changes may be required (or desirable):
 - a) To assure safe overcurrent operation:
 - Change C6 and C7 to 5.6 nF
 - Change R3 and R4 to 100 k Ω
 - b) To assure an adequate 5 V supply, R2 may need to be changed. The minimum value for R2 is $(V_s - 5)/(0.03 + I)$ Ω . Where: V_s is the supply voltage and I is any additional load placed on the 5 V supply (in amps).
2. JP1: place JP1 in the INT position to enable the on-board 5 Vdc supply.
3. JP2 and JP3: install JP2 and JP3 to assure proper timing operation of the L6207's internal high side overcurrent protection.
4. R15 and R18: adjust multi-turn trim pots R15 and R18 fully clockwise.

Note: A slight click can be heard from the pot when it reaches its end of travel.

5. R6 and R7: adjust multi-turn trim pots R6 and R7 to the middle of their range. These pots set the off time of the cycle by cycle current controller and can be fine tuned while observing the motor current on an oscilloscope or by simply adjusting to raise the frequency of the audible switching noise to an inaudible level if required.
6. motor connections: connect the motor coils at CN3 and CN4. When driving a stepper motor, one winding is connected to CN3 and the second winding is connected to CN4. For operation with 2 DC motors one motor is connected to each connector.
7. Power supply: connect, but do not energize, a 12 to 48 Vdc power supply at CN1 (positive to V_{in} and negative to GND).
8. Using a 34 pin ribbon cable connect the EVAL6207N board to the control interface Board. The two boards should be placed on the bench so that their 34 pin headers are side by side with the ribbon cable going straight across. Set the following on the ST7 interface board
9. WJ1: install WJ1 on the ST7 based Control Interface Board. This allows 5 Vdc power to be obtained from the target board.
10. JP1 and JP2 and R18: install the JP1 and JP2 jumpers to short the center and left pins together as shown in [Figure 2](#). This is critical as excessive motor current can result from misplacement of these jumpers! Set potentiometer R18 to about 50%.

Figure 6. EVAL6207N schematic



9.1 Vref offset adjustment (R18)

Using a voltmeter monitor the voltage at the VrefA or VrefB test point on the EVAL6207N board with respect to GND (CN1) when calibrating the offset.

9.2 Current scaling

When potentiometers R20 and R26 are set full clockwise, a 100% current setting on the practiSPIN software screen corresponds to a Vref of approximately 0.88 Vdc or a peak motor current of about 2.64 A.

The peak current can be set to a lower value by adjusting R15 and R18. The reference voltage inputs can be monitored at the VrefA or VrefB test point.

10 EVAL6208N board configuration

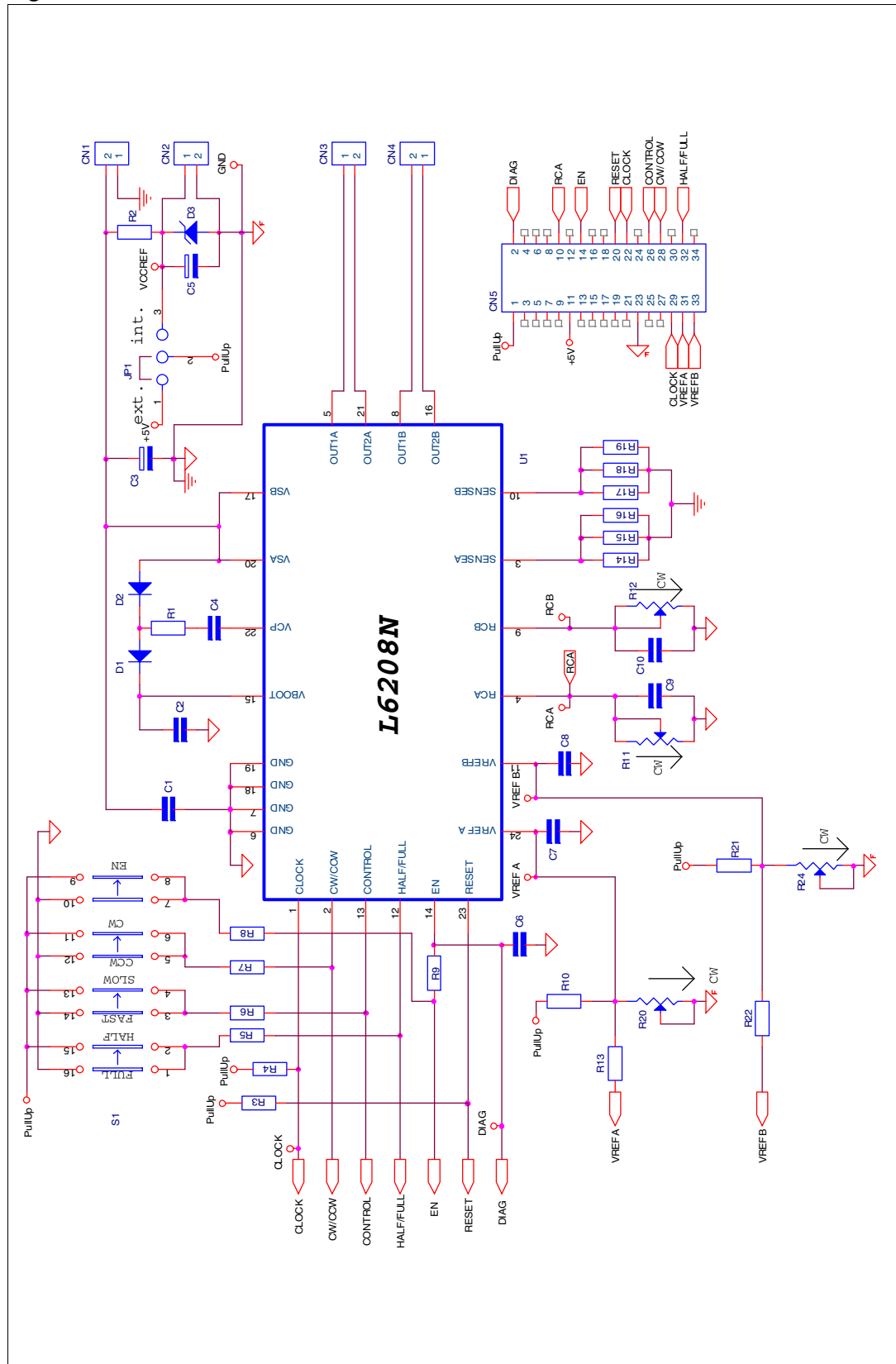
The schematic of the EVAL6208N board is shown in [Figure 7](#). To use the EVAL6208N board with practiSPIN system, the following configuration settings must be made on the EVAL620A:

1. Component updates: depending on the revision of the board, some or all of the following changes may be required (or desirable):
 - a) To assure safe overcurrent operation:
 - Change C6 to 5.6 nF
 - Change R9 to 100 k Ω
 - b) To assure an adequate 5 V supply, R2 may need to be changed. The minimum value for R2 is $(V_s - 5)/(0.03 + I)$ Ω . Where: V_s is the supply voltage and I is any additional load placed on the 5 V supply (in amps).
2. JP1: place JP1 in the INT position to enable the on-board 5 Vdc supply.
3. Switches place all four of the switches in the right (toward the L6208) position.
4. R20 and R24: adjust multi-turn trim pots R20 and R24 fully clockwise.

Note: A slight click can be heard from the pot when it reaches its end of travel.

5. R11 and R12: adjust multi-turn trim pots R11 and R12 to the middle of their range. These pots set the off time of the cycle by cycle current controller and can be fine tuned while observing the motor current on an oscilloscope or by simply adjusting to raise the frequency of the audible switching noise to an inaudible level if required.
6. Motor connections: connect the motor coils at CN3 and CN4. When driving a stepper motor, one winding is connected to CN3 and the second winding is connected to CN4. For operation with 2 DC motors one motor is connected to each connector.
7. Power supply: connect, but do not energize, a 12 to 48 Vdc power supply at CN1 (positive to V_{in} and negative to GND).
8. Using a 34 pin ribbon cable connect the EVAL6208N board to the control interface Board. The two boards should be placed on the bench so that their 34 pin headers are side by side with the ribbon cable going straight across. Set the following on the ST7 interface board.
9. WJ1: install WJ1 on the ST7 based control interface board. This allows 5 Vdc power to be obtained from the target board.
10. JP1 and JP2 and R18: install the JP1 and JP2 jumpers to short the center and left pins together as shown in [Figure 2](#). This is critical as excessive motor current can result from misplacement of these jumpers! Set potentiometer R18 to about 50%.

Figure 7. EVAL6208N schematic



10.1 Vref offset adjustment (R18)

Using a voltmeter monitor the voltage at the VrefA or VrefB test point on the EVAL6208N board with respect to GND (CN1) when calibrating the offset.

10.2 Current scaling

When potentiometers R20 and R21 are set full clockwise, a 100% current setting on the practiSPIN software screen corresponds to a Vref of approximately 0.88 Vdc or a peak motor current of about 2.64 A.

The peak current can be set to a lower value by adjusting R15 and R18. The reference voltage inputs can be monitored at the VrefA or VrefB test point

After tube recognition the microcontroller will set the right run frequency for the connected lamp.

11 EVAL6208PD board configuration

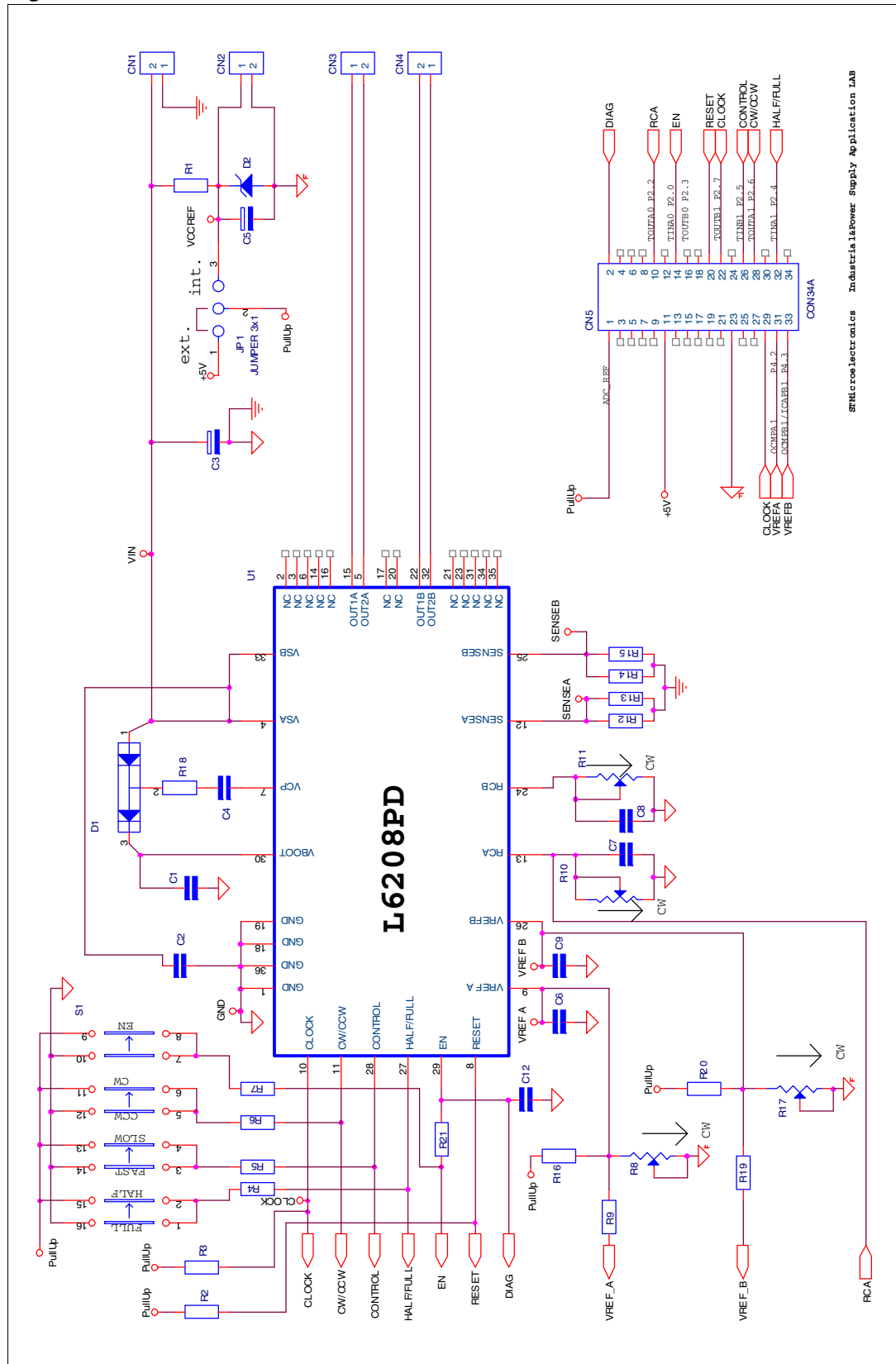
The schematic of the EVAL6208PD board is shown in [Figure 8](#). To use the EVAL6208PD board with practiSPIN system, the following configuration settings must be made on the EVAL6208PD:

1. Component updates: depending on the revision of the board, some or all of the following changes may be required (or desirable):
 - a) To assure safe overcurrent operation:
 - Change C12 to 5.6 nF
 - Change R21 to 100 k Ω
 - b) To assure an adequate 5 V supply, R1 may need to be changed. The minimum value for R1 is $(V_s - 5)/(0.03 + I)$ Ω . Where: V_s is the supply voltage and I is any additional load placed on the 5 V supply (in amps).
2. JP1: place JP1 in the INT position to enable the on-board 5 Vdc supply.
3. Switches: place all four of the switches in the right (toward the L6208) position.
4. R8 and R17: adjust multi-turn trim pots R8 and R17 fully clockwise.

Note: A slight click can be heard from the pot when it reaches its end of travel.

5. R10 and R11: adjust multi-turn trim pots R10 and R11 to the middle of their range. These pots set the off time of the cycle by cycle current controller and can be fine tuned while observing the motor current on an oscilloscope or by simply adjusting to raise the frequency of the audible switching noise to an inaudible level if required.
6. Motor connections: connect the motor coils at CN3 and CN4. When driving a stepper motor, one winding is connected to CN3 and the second winding is connected to CN4. For operation with 2 DC motors one motor is connected to each connector.
7. Power supply: connect, but do not energize, a 12 to 48 Vdc power supply at CN1 (positive to V_{in} and negative to GND).
8. Using a 34 pin ribbon cable connect the EVAL6208PD board to the control interface board. The two boards should be placed on the bench so that their 34 pin headers are side by side with the ribbon cable going straight across. Set the following on the ST7 interface board.
9. WJ1: install WJ1 on the ST7 based control interface board. This allows 5 Vdc power to be obtained from the target board.
10. JP1 and JP2 and R18: install the JP1 and JP2 jumpers to short the center and left pins together as shown in [Figure 2](#). This is critical as excessive motor current can result from misplacement of these jumpers! Set potentiometer R18 to about 50%.

Figure 8. EVAL6208PD schematic



STMicroelectronics Industrial & Power Supply Application Lab

11.1 Vref offset adjustment (R18)

Using a voltmeter monitor the voltage at the VrefA or VrefB test point on the EVAL6208PD board with respect to GND (CN1) when calibrating the offset.

11.2 Current scaling

When potentiometers R8 and R17 are set full clockwise, a 100% current setting on the practiSPIN software screen corresponds to a Vref of approximately 0.88 Vdc or a peak motor current of about 4.4 A. The peak current can be set to a lower value by adjusting R15 and R18. The reference voltage inputs can be monitored at the VrefA or VrefB test point.

12 EVAL6235 board configuration

The schematic of the EVAL6235 board is shown in [Figure 9](#). To use the EVAL6235 board with practiSPIN system, the following configuration settings must be made on the EVAL6235:

1. Component updates: depending on the revision of the board, some or all of the following changes may be required (or desirable):
 - a) To assure safe overcurrent operation:
 - Change C6 and C7 to 5.6 nF
 - Change R6 to 100 k Ω and remove R2
 - b) To assure an adequate 5 V supply, R1 may need to be changed. The minimum value for R1 is $(V_s - 5)/(0.03 + I)$ Ω . Where: V_s is the supply voltage and I is any additional load (such as Hall sensors) placed on the 5 V supply (in amps).
2. JP1 and JP2: install JP1 and JP2 to enable the on-board 5 Vdc supply.
3. Switches: place all four switches in the down (away from U2) position.
4. R22: adjust multi-turn trim pot R22 fully clockwise.

Note: A slight click can be heard from the pot when it reaches its end of travel.

5. R10: adjust multi-turn pot R10 to the middle of its range. This pot sets the off time of the cycle by cycle current controller and can be fine tuned while observing the motor current on an oscilloscope or by simply adjusting to raise the frequency of the audible switching noise to an inaudible level if required.
6. Hall sensors: connect the hall sensors of the BLDC motor at CN5. Connect the power supply wires from the hall sensors at pins GND and P5V. Hall sensors are notorious for being destroyed by reversed polarity! Know, don't guess, the proper polarity! Connect H1, H2, and H3 signals to their respective pins.
7. Motor connections: connect the three motor armature wires at CN3 being careful to match the phasing to the hall sensor connections. Please refer to the L6235 data sheet for a description of the proper phase relationship between the motor phases and the Hall sensors.

Note: There are six possible ways to connect the three armature wires to CN3. While only one connection will give proper performance, one or two of the other possible connection may cause the motor to turn but with very poor performance and, perhaps, high motor currents even if the system is unloaded.

8. Power supply: connect, but do not energize, a 12 to 48 Vdc power supply at CN1 (positive to V_{in} and negative to GND).
9. Using a 34 pin ribbon cable connect the EVAL6208PD board to the control interface board. The two boards should be placed on the bench so that their 34 pin headers are side by side with the ribbon cable going straight across. Set the following on the ST7 interface board.
10. WJ1: install WJ1 on the ST7 based control interface board. This allows 5 Vdc power to be obtained from the target board.
11. JP1 and JP2 and R18: install the JP1 and JP2 jumpers to short the center and left pins together. This is critical as excessive motor current can result from misplacement of these jumpers! Set potentiometer R18 to about 50%.

12.1 Vref offset adjustment (R18)

Using a voltmeter monitor the voltage at the junction of R17 and R20 on the EVAL6235N board with respect to GND (CN1) when calibrating the offset.

12.2 Current scaling

When potentiometer R22 is set full clockwise, a 100% current setting on the practiSPIN software screen corresponds to a Vref of approximately 0.88 Vdc or a peak motor current of about 4.4 A. The peak current can be set to a lower value by adjusting R22. The reference voltage inputs can be monitored at the junction of R17 and R20.

13 Revision history

Table 1. Document revision history

Date	Revision	Changes
21-Jun-2004	1	Initial release
29-Jan-2008	2	Document reformatted. No content change

Please Read Carefully:

Information in this document is provided solely in connection with ST products. STMicroelectronics NV and its subsidiaries ("ST") reserve the right to make changes, corrections, modifications or improvements, to this document, and the products and services described herein at any time, without notice.

All ST products are sold pursuant to ST's terms and conditions of sale.

Purchasers are solely responsible for the choice, selection and use of the ST products and services described herein, and ST assumes no liability whatsoever relating to the choice, selection or use of the ST products and services described herein.

No license, express or implied, by estoppel or otherwise, to any intellectual property rights is granted under this document. If any part of this document refers to any third party products or services it shall not be deemed a license grant by ST for the use of such third party products or services, or any intellectual property contained therein or considered as a warranty covering the use in any manner whatsoever of such third party products or services or any intellectual property contained therein.

UNLESS OTHERWISE SET FORTH IN ST'S TERMS AND CONDITIONS OF SALE ST DISCLAIMS ANY EXPRESS OR IMPLIED WARRANTY WITH RESPECT TO THE USE AND/OR SALE OF ST PRODUCTS INCLUDING WITHOUT LIMITATION IMPLIED WARRANTIES OF MERCHANTABILITY, FITNESS FOR A PARTICULAR PURPOSE (AND THEIR EQUIVALENTS UNDER THE LAWS OF ANY JURISDICTION), OR INFRINGEMENT OF ANY PATENT, COPYRIGHT OR OTHER INTELLECTUAL PROPERTY RIGHT.

UNLESS EXPRESSLY APPROVED IN WRITING BY AN AUTHORIZED ST REPRESENTATIVE, ST PRODUCTS ARE NOT RECOMMENDED, AUTHORIZED OR WARRANTED FOR USE IN MILITARY, AIR CRAFT, SPACE, LIFE SAVING, OR LIFE SUSTAINING APPLICATIONS, NOR IN PRODUCTS OR SYSTEMS WHERE FAILURE OR MALFUNCTION MAY RESULT IN PERSONAL INJURY, DEATH, OR SEVERE PROPERTY OR ENVIRONMENTAL DAMAGE. ST PRODUCTS WHICH ARE NOT SPECIFIED AS "AUTOMOTIVE GRADE" MAY ONLY BE USED IN AUTOMOTIVE APPLICATIONS AT USER'S OWN RISK.

Resale of ST products with provisions different from the statements and/or technical features set forth in this document shall immediately void any warranty granted by ST for the ST product or service described herein and shall not create or extend in any manner whatsoever, any liability of ST.

ST and the ST logo are trademarks or registered trademarks of ST in various countries.

Information in this document supersedes and replaces all information previously supplied.

The ST logo is a registered trademark of STMicroelectronics. All other names are the property of their respective owners.

© 2008 STMicroelectronics - All rights reserved

STMicroelectronics group of companies

Australia - Belgium - Brazil - Canada - China - Czech Republic - Finland - France - Germany - Hong Kong - India - Israel - Italy - Japan - Malaysia - Malta - Morocco - Singapore - Spain - Sweden - Switzerland - United Kingdom - United States of America

www.st.com