



## 8A SCRs

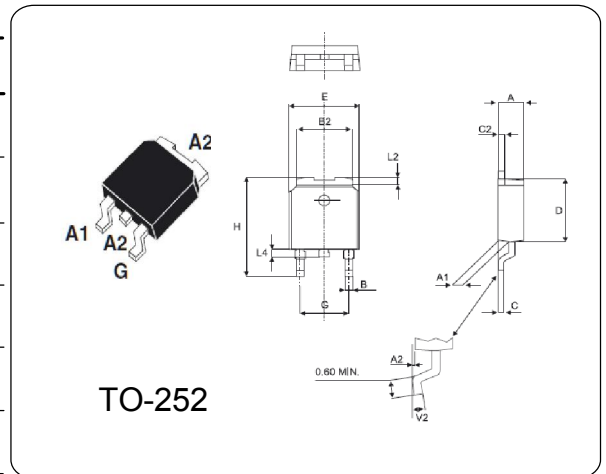
## TS820-600B-TR

### GENERAL DESCRIPTION

Available either in sensitive (TS8) gate triggering levels, the 8A SCR series is suitable to fit all modes of control, found in applications such as overvoltage crowbar protection, motor control circuits in power tools and kitchen aids, inrush current limiting circuits, capacitive discharge ignition and voltage regulation circuits... Available in through-hole or surface-mount packages, they provide an optimized performance in a limited space area.

### ABSOLUTE MAXIMUM RATINGS ( Ta = 25 °C)

PARAMETER	Symbol	Value	Unit
Repetitive peak off-state voltages	$V_{DRM}$	600	V
peak off-state reverse voltages	$V_{RRM}$	600	V
RMS on-state current	$I_T$	8.0	A
Non-repetitive peak on-state current	$I_{TSM}$	73	A
Max. Operating Junction Temperature	$T_j$	110	°C
Storage Temperature	$T_{stg}$	-45~150	°C



### ELECTRICAL CHARACTERISTICS ( Ta = 25 °C)

Parameter	Symbol	Test Conditions	Min	Typ	Max	Unit
Repetitive peak off-state voltages	$V_{DRM}$ $V_{RRM}$		—	600	—	V
Average on-state current	$I_{T(AV)}$	half sine wave; $T_{mb} < 110$ °C	—	5.0	—	A
RMS on-state current	$I_{T(RMS)}$	all conduction angles	—	8.0	—	A
On-state voltage	$V_{TM}$	$I_T = 16A$	—	—	1.60	V
Holding current	$I_H$	$I_T = 50$ mA $R_{GK} = 1$ k $\Omega$	—	—	5.0	mA
Latching current	$I_L$	$I_T = 50$ mA $R_{GK} = 1$ k $\Omega$	—	—	6.0	mA
Gate trigger current	$I_{GT}$	$V_D = 12$ V $R_L = 140$ $\Omega$	—	—	200	$\mu$ A
Gate trigger voltage	$V_{GT}$	$V_D = 12$ V $R_L = 140$ $\Omega$	—	—	0.8	V