

PLEASE CHECK WWW.MOLEX.COM FOR LATEST PART INFORMATION

Part Number: [0709821008](#)
Status: **Active**
Overview: [tdp triad differential pair](#)
Description: LFH™ and TDP® Panel Mount Hex Screw Kit

Documents:

[Drawing \(PDF\)](#) [RoHS Certificate of Compliance \(PDF\)](#)

General

Product Family	I/O Connectors
Series	70982
Application	Wire-to-Board
Comments	Includes (1) Hex Lock Screw, (1) Nylon Patch Hardware Kit
Component Type	Hex Screw
Overview	tdp triad differential pair
Product Name	LFH™, TDP®
Type	N/A

Physical

Boot Color	N/A
Circuits (Loaded)	N/A
Gender	N/A
Keying to Mating Part	N/A
Lock to Mating Part	Yes
Material - Plating Mating	n/a
Number of Rows	0
Orientation	N/A
PCB Retention	N/A
Packaging Type	Bag
Panel Mount	Yes
Pitch - Mating Interface (in)	0.000 In
Pitch - Mating Interface (mm)	0.00 mm
Polarized to Mating Part	N/A
Polarized to PCB	N/A
Termination Interface: Style	N/A
Wire Size AWG	N/A

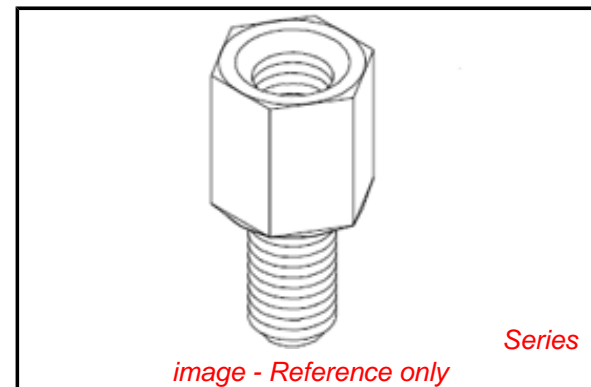
Electrical

Current - Maximum per Contact	N/A
Grounding to Panel	N/A

Material Info

Reference - Drawing Numbers

Application Specification	AS-70929-001
Sales Drawing	SD-70982-002



EU RoHS

RoHS Compliant by Exemption
REACH SVHC
 Not Reviewed
Halogen-Free
Status
Not Reviewed

China RoHS



Need more information on product environmental compliance?

Email productcompliance@molex.com
 For a multiple part number RoHS Certificate of Compliance, [click here](#)

Please visit the [Contact Us](#) section for any non-product compliance questions.

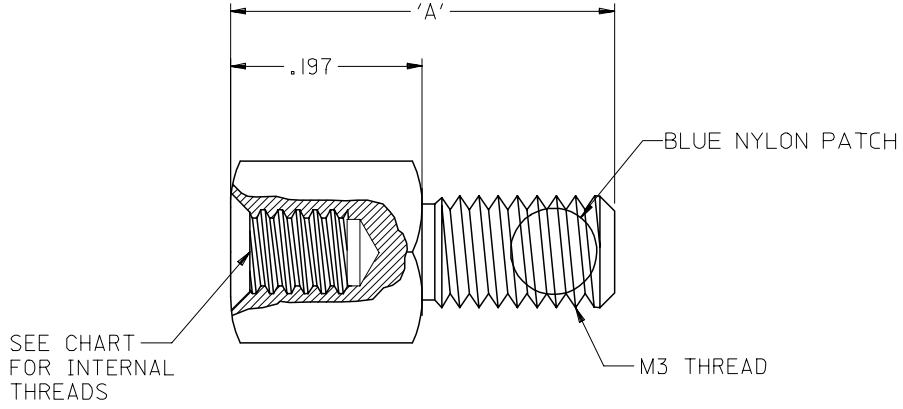
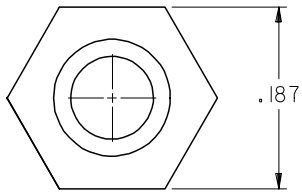
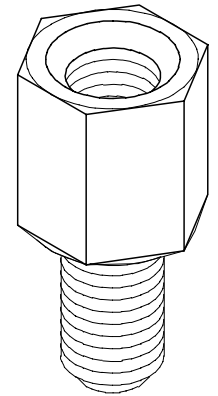
Search Parts in this Series

[70982Series](#)

Use With

[70660.](#) [70665.](#) [70928.](#) [70929.](#) [71624.](#) [71626.](#)
[71475.](#) [71478.](#) [71718.](#) [74960](#)

ITEM #	INTERNAL THREAD	EXTERNAL THREAD	DIMENSION 'A'	FINISH
70982-1008	4-40 UNC	M3	.433	CLEAR TRIVALENT CHROMATE



- NOTES:
 1. MATERIAL: COLD DRAWN STEEL.
 2. PARTS TO BE BULKED PACKAGED.

INITIAL RELEASE EC NO: UCP2007-2413 DRWN:MIBARRA 2007/05/15 CHK'D:DMORGAN 2007/05/21 APPR:SMILLER 2007/05/21	QUALITY SYMBOLS DESCRIPTION	GENERAL TOLERANCES (UNLESS SPECIFIED)		DIMENSION STYLE INCH ONLY		SCALE INCH	DESIGN UNITS INCH	THIRD ANGLE PROJECTION
		4 PLACES ± --- ± ---	DRAWN BY MIBARRA	DATE 2007/03/27	TITLE 3/16 HEX. SCREWLOCK WITH NYLON PATCH HARDWARE KIT			
		3 PLACES ± --- ± ---	CHECKED BY DMORGAN	DATE 2007/03/27	MOLEX INCORPORATED			
		2 PLACES ± --- ± ---	APPROVED BY SMILLER	DATE 2007/03/27	MATERIAL NO. SEE TABLE	DOCUMENT NO. SD-70982-002	SHEET NO. 1 OF 1	
1 PLACE ± --- ± ---	ANGULAR ±1/2°	DRAFT WHERE APPLICABLE MUST REMAIN WITHIN DIMENSIONS		THIS DRAWING CONTAINS INFORMATION THAT IS PROPRIETARY TO MOLEX INCORPORATED AND SHOULD NOT BE USED WITHOUT WRITTEN PERMISSION				