



- 10/100/1000 Base T Gigabit Ethernet Application
- Dual USB 2.0
- Standard Operating Temp: 0°C to 70°C
- Contact the Factory for Industrial Temp.



Electrical Specifications @ 25°C

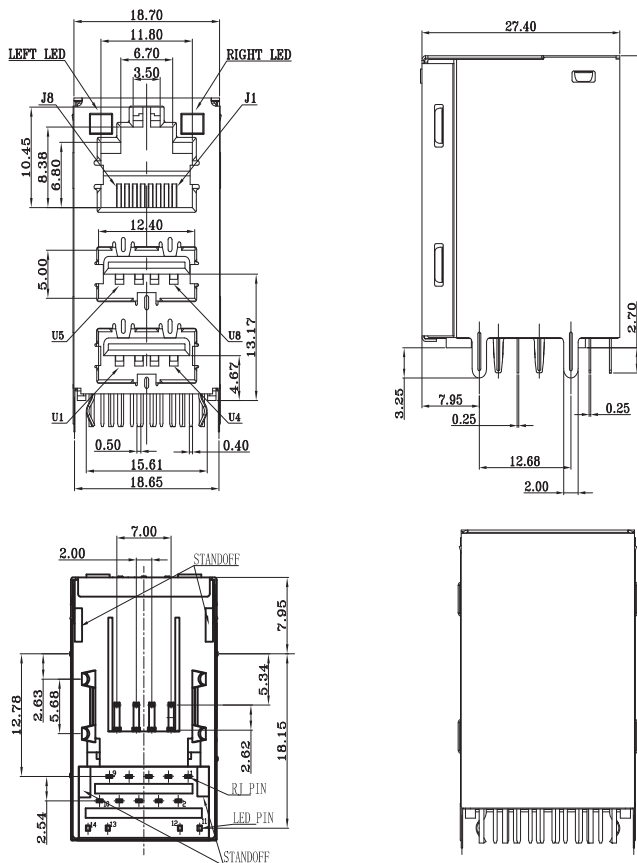
Part Number	OCL(uH Min) @ 100kHz, 0.1V With 8mA DC Bias	Insertion Loss (dB Max)	Return Loss (dB Min)			
		1-100MHz	1-30MHz	30-60MHz	60-80MHz	70-100MHz
AR1USB2-3698	350	-1.0	-18	-16	-12	-10

Electrical Specifications @ 25°C

Part Number	Cross Talk (dB Min)	CMRR (dB Min)	HI-POT (VAC) 60Sec.
	1-100MHz	1-100MHz	
AR1USB2-3698	-30	-30	1500

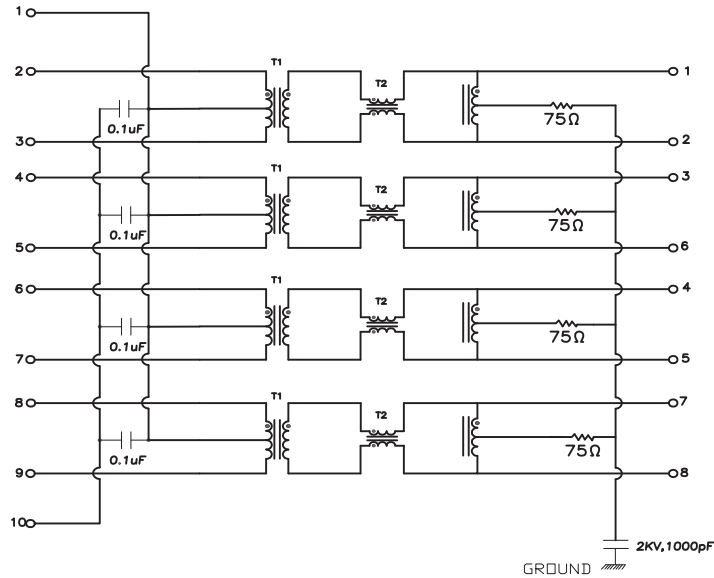
All specifications subject to change without notice.

MECHANICAL

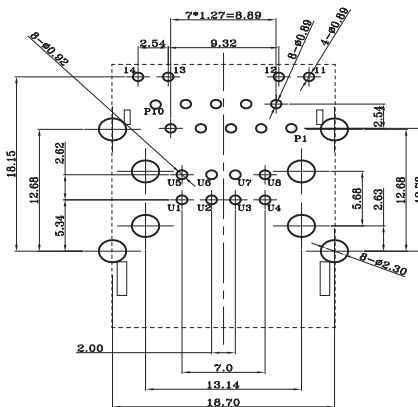




**SCHEMATICS**



**PCB LAYOUT**



**RECOMMENDED P.C.B LAYOUT(PCB THICKNESS: 1.6mm)**  
**COMPONENT SIDE VIEW(TOLERANCE: ±0.05)**



**NOTES**

- Material Contact:
- RJ Contact: T=0.30mm C2680-H Gold FU"
- USB Contact: T=0.30mm C2680-H Gold FU"
- Plating Over Nickel
- Shielded:
- Front & Back shell: SUS201 1/4H
- Housing: PBT + 30% G.F., Black UL94V-0