

User's Guide

D0113MT-25-1302

VFD- **RoHS Compliant**

(Vacuum Fluorescent Display Module)

For product support, contact

Newhaven Display International
2511 Technology Drive, #101
Elgin, IL 60124

Tel: (847) 844-8795 Fax: (847) 844-8796

February 25, 2008

Vacuum Fluorescent Display Specification

PART NUMBER: D0113MT-25-1302

FEATURES: 13 Digits, 7-Segmented, Instrumentation

APPLICATION: Character Display (*7-Segmented*)

RATINGS: Below

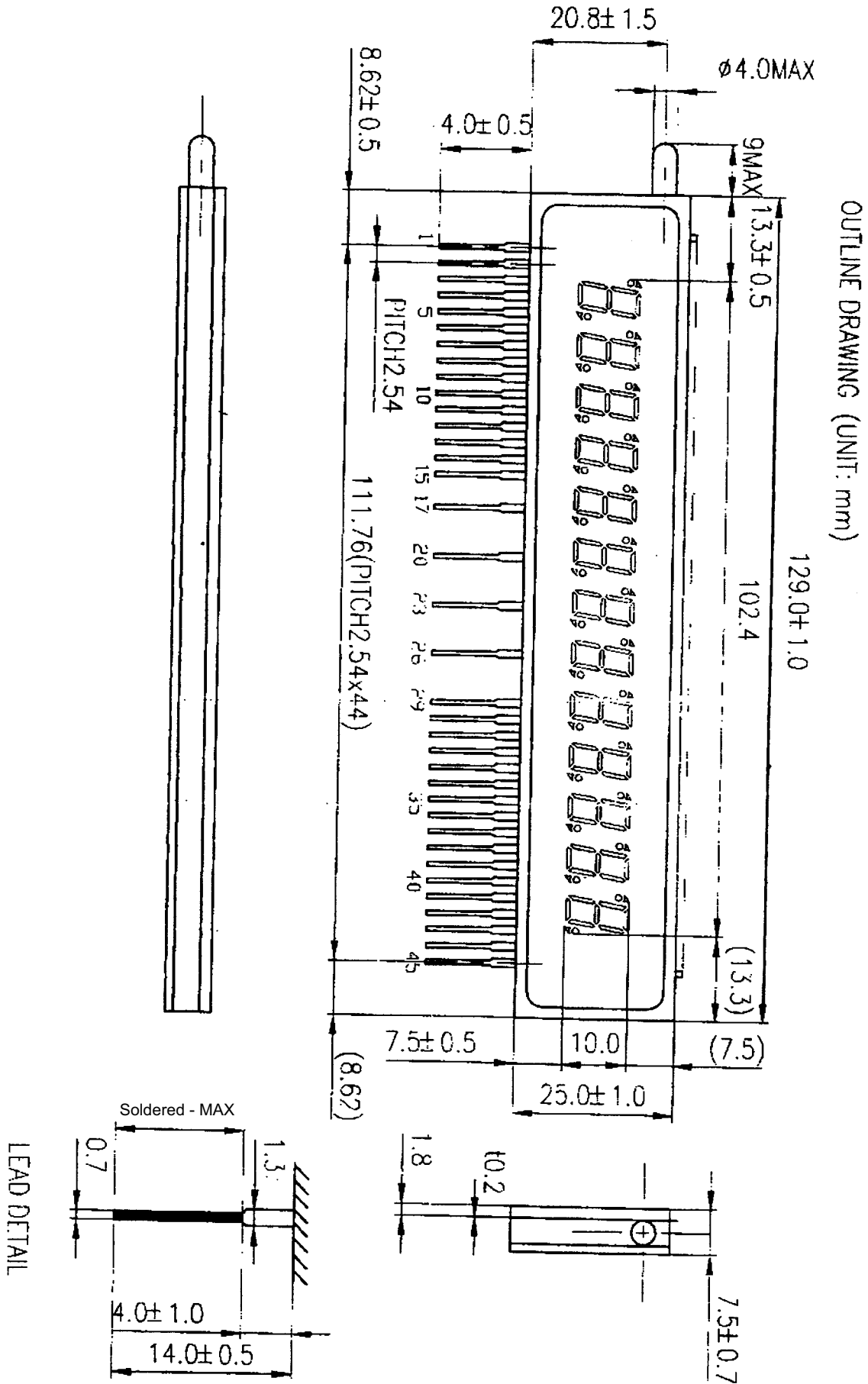
Outer Dimensions	Panel Length	P.L.	129.0	mm	
	Panel Height	P.H.	25.0	mm	
	Panel Thickness	P.T.	7.5	mm	
Leads	Lead Pitch	L.P.	2.54	mm	
	Lead Out	-	SIL		
Character Size	Character Height	C.H.	9.6	mm	
	Character Width	C.W.	4.6	mm	
Item	Symbol	Min.	Recommended	Max.	Unit
Filament Voltage	Ef	4.4	4.9	5.3	Vac
Peak Grid Voltage	ec	-	25.0	30.0	Vp-p
Peak Anode Voltage	eb	-	25.0	30.0	Vp-p
-	tp	-	-	-	-
Duty Cycle	Du	-	1/17.5	-	-
Pulse Width	tp	-	80	-	uS
Operating Temperature	Topr	-20	-	+70	C
Storage Temperature	Tstg	-55	-	+ 80	C
Color of Illumination	Green				

D0113MT-25-1302

**Electrical
Characteristics**

Item	Symbol	Test Condition	Min.	Typical	Max.	Unit
Filament Current	lf	Ef = 4.9 Vac eb = ec = 0	94.0	104.0	115.0	mAac
	-		-	-	-	-
Anode Current	ib/1G~13G	Ef = 4.9 Vac eb = 25.0 Vp-p ec = 25.0 Vp-p Du = 1/17.5 tp = 80 uS	-	6.5	12.0	MAp-p
	-		-	-	-	MAp-p
	-		-	-	-	MAp-p
	-		-	-	-	MAp-p
	-		-	-	-	MAp-p
Grid Current	ic / 1G~13G		-	9.0	16.0	MAp-p
	-		-	-	-	MAp-p
	-		-	-	-	MAp-p
	-		-	-	-	MAp-p
	-		-	-	-	MAp-p
Luminance	L(G)		500	1000	-	cd/m ²
	-		(146)	(292)	-	fL
Luminance Ratio	Lmin/Lmax		50	-	-	%
Grid Cut-off Voltage	Ecco	Ef = 4.9 Vac eb = 25.0 Vdc	-7.0	-	-	Vdc
Anode Cut-off Voltage	Ebco	Ef = 4.9 Vac ec = 25.0 Vp-p Du = 1/17.5 tp = 80uS	-5.0	-	-	Vdc

Drive Mode = Dynamic State

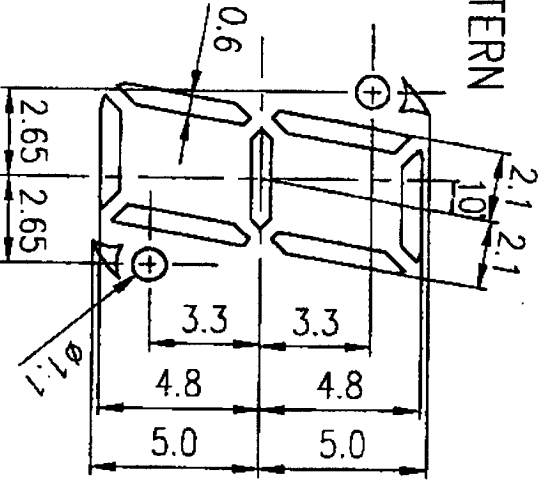


TERMINAL CONNECTION

TERMINAL NO.	1	2	3	4	5	6	7	8	9	10	11	12	13	14	15
ELECTRODE	F	NC	NC	NC	13G	NC	NC	12G	P	P	11G	P	P	10G	P
TERMINAL NO.	16	17	18	19	20	21	22	23	24	25	26	27	28	29	30
ELECTRODE	NP	9G	NP	NP	8G	NP	NP	7G	NP	NP	6G	NP	NP	5G	P
TERMINAL NO.	31	32	33	34	35	36	37	38	39	40	41	42	43	44	45
ELECTRODE	P	4G	P	P	3G	NC	P	2G	P	NC	1G	NC	NC	NC	F
	(c)		(b)	(a)			(DP2)		(COM2)						

Notes F:Filament NP:No Pin G:Grid NC:No Connection P:Anode

PATTERN



SEGMENT DESIGNATION

