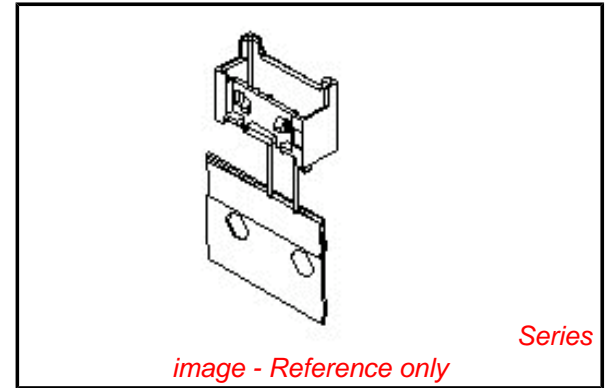


**PLEASE CHECK WWW.MOLEX.COM FOR LATEST PART INFORMATION**

**Part Number:** **0533750390**  
**Status:** **Active**  
**Overview:** minilock  
**Description:** 2.50mm (.098") Pitch Mini-Lock™ Wire-to-Board Header, Vertical, Friction and Positive Lock, Radial Tape Packaging, 3 Circuits, Lead-free

**Documents:**

<a href="#">3D Model</a>	<a href="#">Product Specification PS-51163-001 (PDF)</a>
<a href="#">Drawing (PDF)</a>	<a href="#">Product Specification PS-51163-002 (PDF)</a>
<a href="#">Product Specification PS-51103-005 (PDF)</a>	<a href="#">RoHS Certificate of Compliance (PDF)</a>
<a href="#">Product Specification PS-51103-007 (PDF)</a>	



**Agency Certification**

CSA	LR19980
TUV	R72081037
UL	E29179

**General**

Product Family	PCB Headers
Series	<u>53375</u>
Application	Wire-to-Board
Overview	<u>minilock</u>
Product Name	Mini-Lock™

**Physical**

Breakaway	No
Circuits (Loaded)	3
Circuits (maximum)	3
Durability (mating cycles max)	30
First Mate / Last Break	No
Flammability	94V-0
Glow-Wire Compliant	No
Guide to Mating Part	No
Keying to Mating Part	None
Lock to Mating Part	Yes
Material - Plating Mating	Tin
Material - Plating Termination	Tin
Number of Rows	1
Orientation	Vertical
PC Tail Length (in)	0.134 In
PC Tail Length (mm)	3.40 mm
PCB Locator	Yes
PCB Retention	Yes
PCB Thickness Recommended (in)	0.062 In
PCB Thickness Recommended (mm)	1.60 mm
Packaging Type	Radial Tape
Pitch - Mating Interface (in)	0.098 In
Pitch - Mating Interface (mm)	2.50 mm
Polarized to PCB	Yes
Shrouded	Fully
Stackable	No
Surface Mount Compatible (SMC)	No
Temperature Range - Operating	-40°C to +105°C
Termination Interface: Style	Through Hole

**Electrical**

**EU RoHS**

**ELV and RoHS Compliant**  
**REACH SVHC Contains SVHC: No**  
**Halogen-Free Status**

**China RoHS**



**Need more information on product environmental compliance?**

Email [productcompliance@molex.com](mailto:productcompliance@molex.com)  
 For a multiple part number RoHS Certificate of Compliance, [click here](#)

Please visit the [Contact Us](#) section for any non-product compliance questions.

**Search Parts in this Series**

[53375Series](#)

**Mates With**

Mini-Lock™ Wire-to-Board and Wire-to-Wire Crimp Terminal 51103 , 51102 , 51163

Current - Maximum per Contact  
Voltage - Maximum

3A  
250V

### **Material Info**

### **Reference - Drawing Numbers**

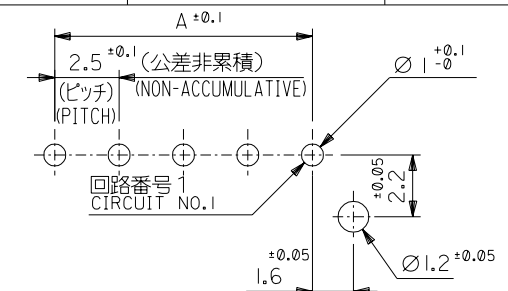
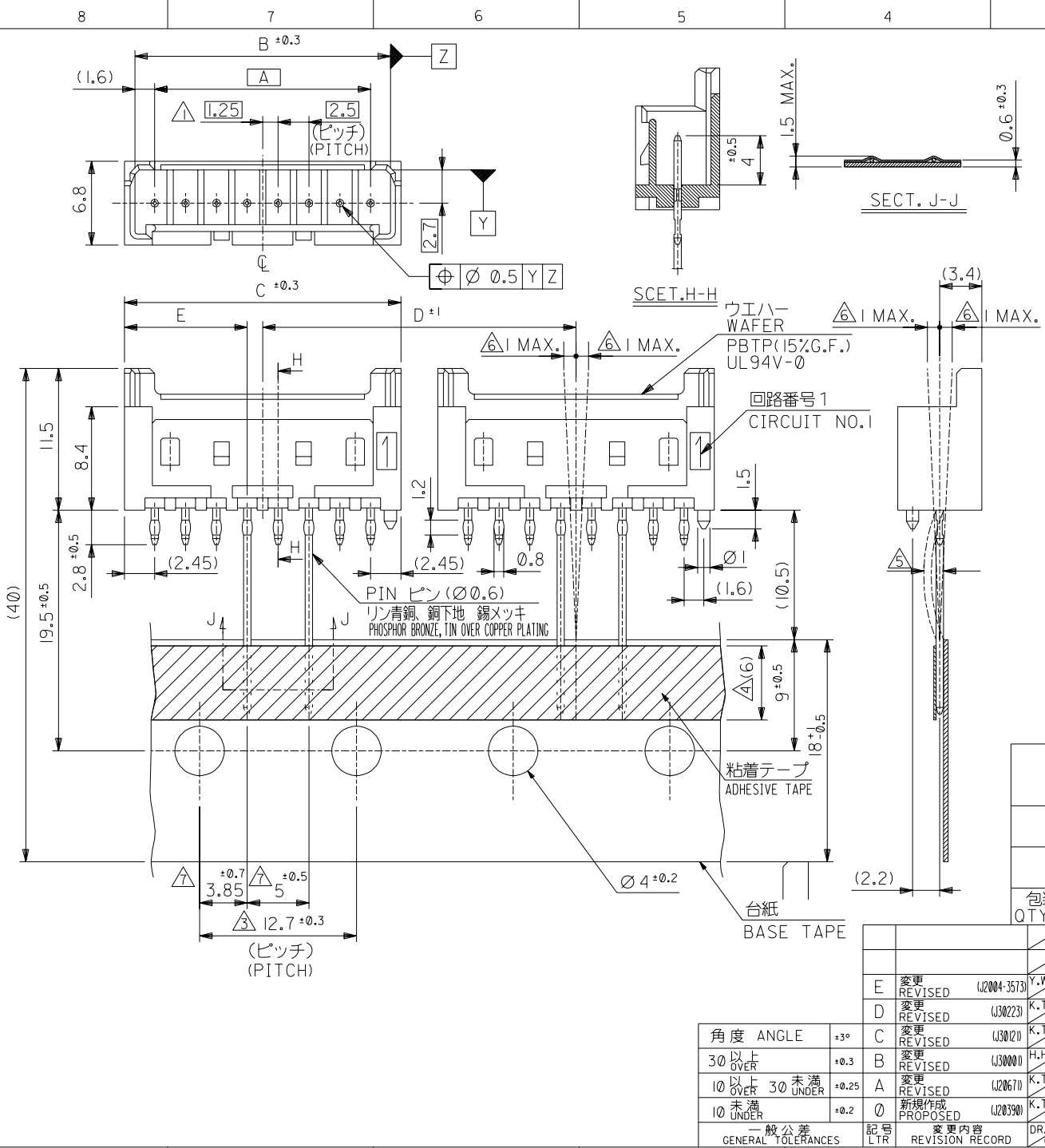
Packaging Specification  
Product Specification

SPK-53375-002  
PS-51103-005, PS-51103-007, PS-51163-001,  
PS-51163-002, RPS-51103-010, RPS-51103-011,  
RPS-51103-012, RPS-51103-022, RPS-51103-028,  
RPS-51103-031, RPS-51103-032, RPS-51103-041,  
RPS-51103-047, RPS-51103-050, RPS-51103-056,  
RPS-51163-002  
SD-53375-\*\*90, SD-53375-004

Sales Drawing

This document was generated on 05/25/2010

**PLEASE CHECK [WWW.MOLEX.COM](http://WWW.MOLEX.COM) FOR LATEST PART INFORMATION**



基板取付穴推奨寸法 (マウント面)  
RECOMMENDED P.C. BOARD HOLE DIMENSION (t=1.6)  
(MOUNTING SIDE) (SCALE 5:1)

注記 NOTES

- △1 偶数極品に適用。  
APPLIES ONLY TO EVEN NO. CKT. SIZES.
- 2. 嵌合相手: 51102, 51103 シリーズ  
MATES WITH: 51102, 51103 SERIES.
- △3 累積ピッチの許容差は、20ピッチで ±1.0mm とする。  
ACCUMULATED TOLERANCE IS TO BE ±1.0mm PER 20 PITCH.
- △4 粘着テープは台紙からはみ出さないこと。  
THE ADHESIVE TAPE SHOULD NOT BE PROTRUDED FROM THE BASE TAPE.
- △5 リード線の曲がりの許容差は 1mm MAX. とする。  
CAMBER OF THE LEADS: 1mm MAX.
- △6 測定位置は、コネクタの先端とする。  
INCLINED POSITION FROM THE CENTER-LINE, SHOULD BE 1mm MAX. MEASURING SHOULD BE DONE, USING THE TOP OF BASE TAPE AS DATUM.
- △7 測定位置は、台紙の上端とし、リード線の中心線との間隔とする。  
DIM. 3.85 AND DIM. 5 SHOULD BE MEASURED ON THE TOP OF BASE TAPE. DIMENSIONS ARE A SPACING BETWEEN THE CENTER-LINES.

400	9.95	25.4	22.4	20.7	17.5	53375-0890	8
	7.45	↑	19.9	18.2	15	↑	-0790
500	7.45	↓	17.4	15.7	12.5	↓	-0690
	4.95	↓	14.9	13.2	10	↓	-0590
900	4.95	↓	12.4	10.7	7.5	↓	-0490
	2.45	↓	9.9	8.2	5	↓	-0390
包装数量 / 箱 QTY / CARTON	2.45	12.7	7.4	5.7	2.5	53375-0290	2
	E	D	C	B	A	MATERIAL NO.	極数 NO. OF CKTS.

材料 MATERIAL		図中参照 SEE DRAWING		molex MOLEX-JAPAN CO., LTD. 日本モレックス株式会社	
E	変更 REVISD (J2004-3573)	Y.W	M.S	04/04/05	仕上げ FINISH —
D	変更 REVISD (J30223)	K.T	H.H	'93/3/10	
C	変更 REVISD (J3021)	K.T	H.H	'93/2/9	適用電線範囲 WIRE RANGE —
B	変更 REVISD (J30000)	H.H	M.F	'93/1/7	
A	変更 REVISD (J20671)	K.T	H.H	'92/7/29	被覆外径 INS. RANGE —
①	新規作成 PROPOSED (J20390)	K.T	H.H	'92/5/8	
記号 LTR	変更内容 REVISION RECORD	DR. CHK.	日付 DATE	尺貫 SCALE 3:1	DRAWN BY '92/5/6 K.TOJO CHK'D BY '93/3/10 H.HIRAMOTO
角度 ANGLE ±3°		30°以上 OVER +0.3		10°以上 OVER 30°未滿 UNDER +0.25	
未滿 10° UNDER +0.2		一般公差 GENERAL TOLERANCES		DRAWN BY '92/5/6 K.TOJO CHK'D BY '93/3/10 H.HIRAMOTO	

E

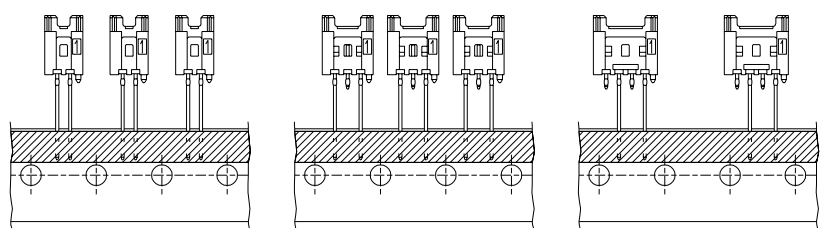
D

C

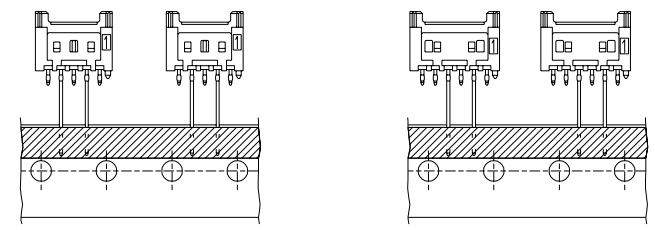
B

A

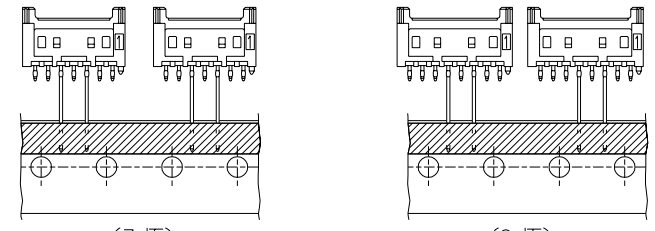
DIMENSIONS IN METRIC DO NOT SCALE DRAWING



(2 極) (2 CKT.)      (3 極) (3 CKT.)      (4 極) (4 CKT.)

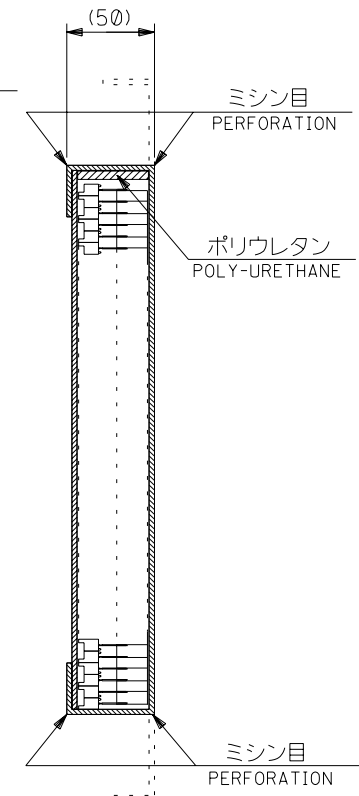
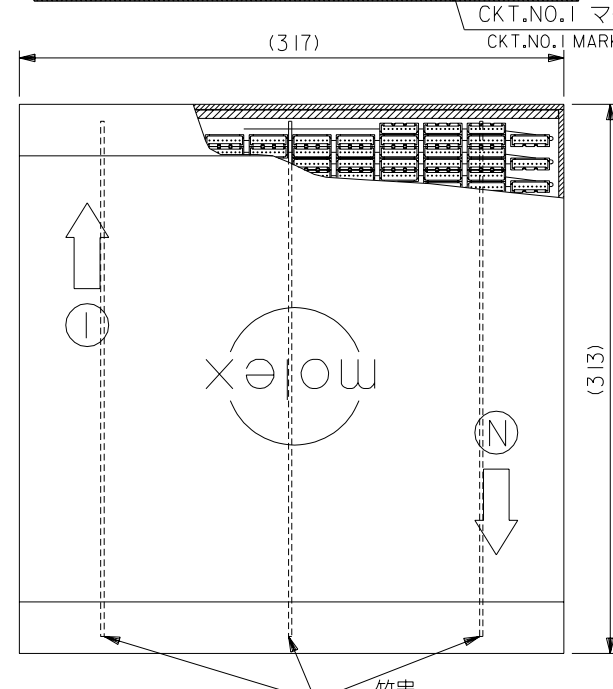
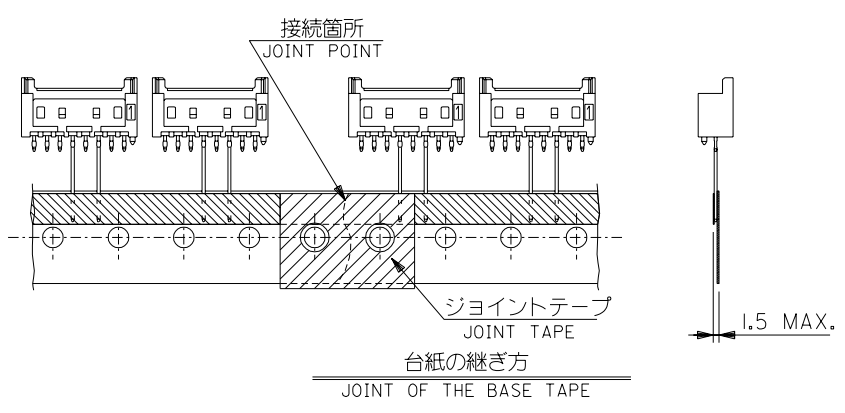


(5 極) (5 CKT.)      (6 極) (6 CKT.)



(7 極) (7 CKT.)      (8 極) (8 CKT.)

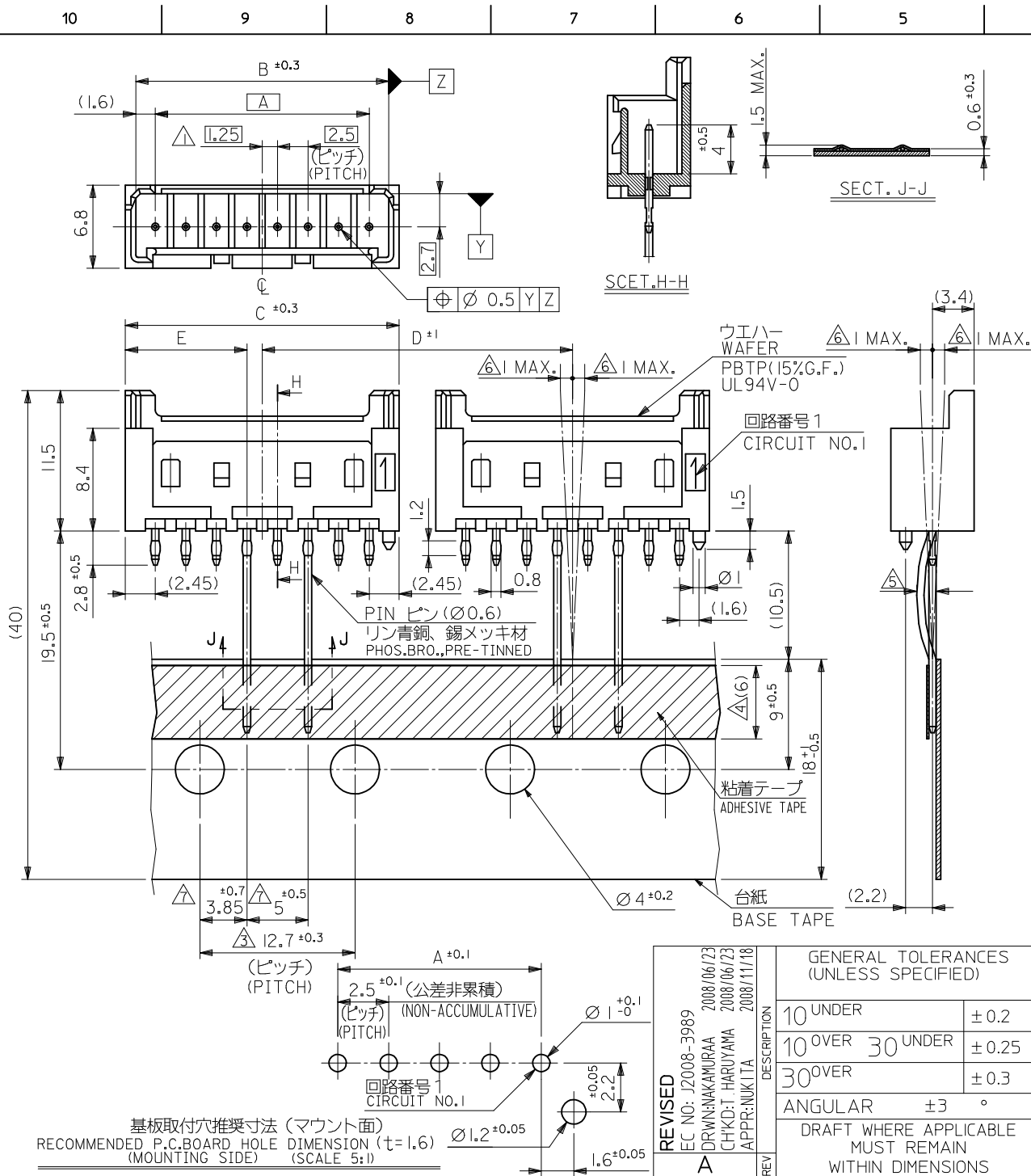
極数別テーピング状態図  
CKT. TAPING FORM



注記 NOTES

- 包装形態はつば折りて箱詰め。  
RADIAL TAPE IS FOLDED AND PILED IN THE CARTON.
- テーピングの両端には、5個以上の送り穴を設けること。  
BOTH ENDS OF TAPING, MORE THAN 5 FEEDING HOLES SHOULD BE PROVIDED.
- コネクタの欠落数は、D寸法 (SHEET 1 OF 2 参照) が12、7の場合連続3個まで、2.5、4の場合1個とする。(折り目ごとの1個抜きも含む)  
ALLOWABLE NUMBERS OF CONSECUTIVE MISSING CONNECTORS:  
FOR CONNECTORS WHERE D=12.7,=3(REFER TO SHEET 1 OF 2)  
FOR CONNECTORS WHERE D=25.4,=1
- 台紙の継ぎ目のずれは、いかなる方向からも±0.3以内とする。  
MISMATCHED JOINT OF THE BASE TAPE SHOULD BE KEPT WITHIN ±0.3mm IN EVERY DIRECTIONS.
- 図中指示以外の項目は、日本工業規格 JIS C0805 “電子部品のテーピング”を適用。  
ITEMS UNLESS OTHERWISE SPECIFIED, JIS C 0805 (TAPING OF ELECTRONIC COMPONENTS) SHOULD BE APPLIED.

		材料 MATERIAL		SHEET 1 OF 2 参照 REFER TO SHEET 1 OF 2		molex MOLEX-JAPAN CO.,LTD. 日本モレックス株式会社	
E	変更 REVISION	(J2004-3573)	Y.W	M.S	04/04/05	REVISE ONLY ON CAD SYSTEM	
D	変更 REVISION	(J30223)	K.T	H.H	93/3/10	TITLE 名称	
C	変更 REVISION	(J3021)	K.T	H.H	93/2/9	適用電線範囲 WIRE RANGE	
B	変更 REVISION	(J30000)	H.H	M.F	93/1/7	被覆外径 INS. RANGE	
A	変更 REVISION	(J20671)	K.T	H.H	92/7/29	DRAWN BY '92/5/6 K.TOJO	
①	新規作成 PROPOSED	(J20390)	K.T	H.H	92/5/8	CHK'D BY '93/3/10 H.HIRAMOTO	
一般公差 GENERAL TOLERANCES		記号 LTR	変更内容 REVISION RECORD	DR. CHK.	日付 DATE	尺度 SCALE	—



注記 NOTES

- △ 偶数極品に適用。  
APPLIES ONLY TO EVEN NO. CKT. SIZES.
- 2. 嵌合相手：51103 シリーズ  
MATES WITH:51103 SERIES.
- △ 累積ピッチの許容差は、20ピッチで ±1.0mm とする。  
ACCUMULATED TOLERANCE IS TO BE ±1.0mm PER 20 PITCH.
- △ 粘着テープは台紙からはみ出さない事。  
THE ADHESIVE TAPE SHOULD NOT BE PROTRUDED FROM THE BASE TAPE.
- △ リード線の曲がりの許容差は 1mm MAX. とする。  
CAMBER OF THE LEADS : 1mm MAX.
- △ 測定位置は、コネクタの先端とする。  
INCLINED POSITION FROM THE CENTER-LINE, SHOULD BE 1mm MAX.  
MEASURING SHOULD BE DONE, USING THE TOP OF BASE TAPE AS DATUM.
- △ 測定値は台紙の上端とし、リード線との間隔とする。  
DIM. 3.85 AND DIM. 5 SHOULD BE MEASURED ON THE TOP OF BASE TAPE. DIMENSIONS ARE A SPACING BETWEEN THE CENTER-LINES.
- 8. 製品番号の下1桁は色を表します。  
LAST DIGIT OF PART NUMBER INDICATES COLOR.  
0 : 白 WHITE 1 : 黒 BLACK 2 : 赤 RED  
3 : 黄 YELLOW 4 : 青 BLUE

400	9.95	25.4	22.4	20.7	17.5	53375-089*	8
	7.45	↑	19.9	18.2	15	↑	-079* 7
500	7.45	↓	17.4	15.7	12.5	↑	-069* 6
	4.95	↓	14.9	13.2	10	↑	-059* 5
900	4.95	25.4	12.4	10.7	7.5	↑	-049* 4
	2.45	12.7	9.9	8.2	5	↓	-039* 3
包装数量/箱 QTY/CARTON	2.45	12.7	7.4	5.7	2.5	53375-029*	2
	MATERIAL NO. 極数 MODEL NO. 53375-**-9*						NO. OF CKT. SIZES

REVISED EC NO: J2008-3989 DRWN: MAKURAA 2008/06/23 CHKD: T. HARIYAMA 2008/06/23 APPR: NUKITA 2008/11/18	GENERAL TOLERANCES (UNLESS SPECIFIED)	
	10 UNDER	±0.2
	10 OVER 30 UNDER	±0.25
	30 OVER	±0.3
DESCRIPTION	ANGULAR	±3 °
REV	DRAFT WHERE APPLICABLE MUST REMAIN WITHIN DIMENSIONS	

DIMENSION STYLE MM ONLY	SCALE 3:1	DESIGN UNITS METRIC	THIRD ANGLE PROJECTION
DRAWN BY M. UEDA	DATE 2005/01/21	TITLE 2.5 WIRE TO BOARD CONN. WAFER ASSY RADIAL TAPING -LEAD FREE-	
CHECKED BY K. TOYODA	DATE 2005/01/21	MOLEX INCORPORATED	
APPROVED BY N. UKITA	DATE 2005/01/21	MATERIAL NO. SD-53375-004	SHEET NO. 1 OF 3
THIS DRAWING CONTAINS INFORMATION THAT IS PROPRIETARY TO MOLEX INCORPORATED AND SHOULD NOT BE USED WITHOUT WRITTEN PERMISSION			