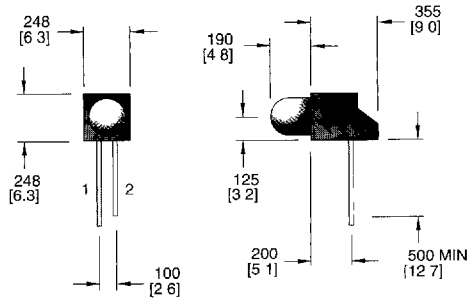
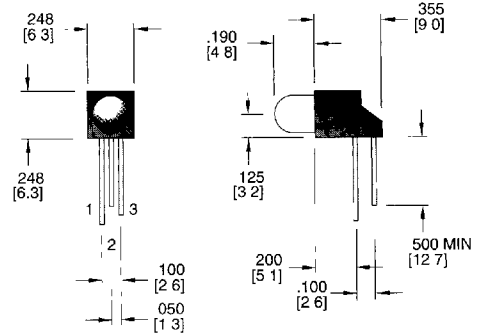


# SINGLE LEVEL BICOLOR T1<sup>3/4</sup> (5mm) LEDs

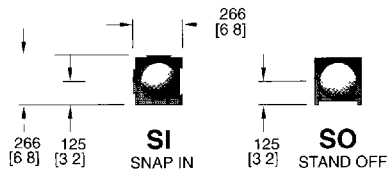
**PCT200**  
BICOLOR



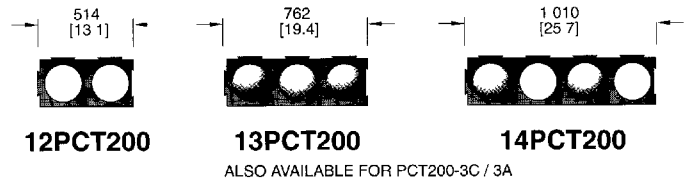
**PCT200-3C / 3A**  
TRICOLOR



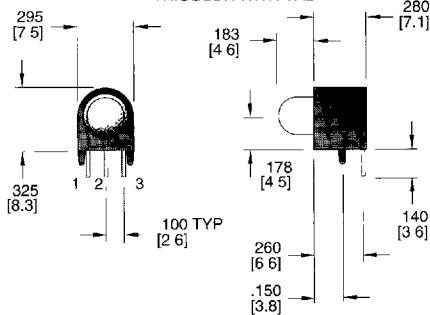
## Options



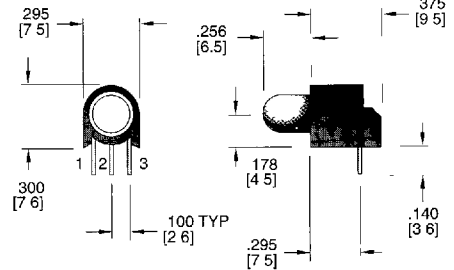
## Arrays



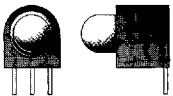
**PC300-T**  
TRICOLOR WITH TAB



**PCT300**  
TRICOLOR



**PCT300**  
TRICOLOR WITHOUT TAB



CODE	COLOR	mA	Vf	Iv mcd	PIN 1	PIN 2	PIN 3
TWRG4B	RED	20/30	2.0/2.8	3.0/6.0	[Pattern]	RED +	GRN +
	GREEN	20/30	2.1/2.8	3.0/6.0		----	
TWYG4B	YELLOW	20/30	2.1/2.8	2.5/5.0	[Pattern]	YLW +	GRN +
	GREEN	20/30	2.1/2.8	3.0/6.0		----	
TWRG4B-3C	RED	20/30	2.0/2.8	3.0/6.0	[Pattern]	RED +	CC -
	GREEN	20/30	2.1/2.8	3.0/6.0		GRN +	
TWYG4B-3C	YELLOW	20/30	2.1/2.8	2.5/5.0	[Pattern]	YLW +	CC -
	GREEN	20/30	2.1/2.8	3.0/6.0		GRN +	
TWRY4B-3C	RED	20/30	2.0/2.8	3.0/6.0	[Pattern]	RED +	CC -
	YELLOW	20/30	2.1/2.8	2.5/5.0		YLW +	
TWRG4B-3A	RED	20/30	2.0/2.8	3.0/6.0	[Pattern]	CA +	RED -
	GREEN	20/30	2.1/2.8	3.0/6.0		GRN -	
TWYG4B-3A	YELLOW	20/30	2.1/2.8	2.5/5.0	[Pattern]	CA +	YLW -
	GREEN	20/30	2.1/2.8	3.0/6.0		GRN -	

## SPECIALS

- ALL "Vf" READINGS ARE TYP/MAX
- ALL "Iv mcd" READINGS ARE MIN/TYP
- X = DENOTES BLANK LED SPACE
- CONSULT FACTORY ON PART NUMBERS FOR ARRAYS WITH NONCONSECUTIVE COLORS
- REVERSE MIDDLE TWO COLOR CHARACTERS FOR REVERSE COLOR COMBINATION
- 3C IS COMMON CATHODE
- 3A IS COMMON ANODE

SAMPLE PART NUMBER:

**PCT200TXX4B-3C**

LED COLOR