

PRODUCT SUMMARY

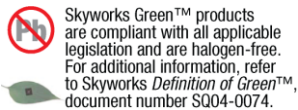
SKY77351-13 Power Amplifier Module for Quad-Band GSM / GPRS / EDGE

Applications

- Quad-band cellular handsets
- GMSK Modulation
 - Class 4 GSM850/900
 - Class 1 DCS1800/PCS1900
 - Class 12 GPRS multi-slot operation
- EDGE modulation
 - Class E2 GSM850/900
 - Class E2 DCS1800/PCS1900

Features

- High efficiency:
 - GSM LB
 - 55% at High Power
 - 33% at Medium Power
 - 17% at Low power
 - 9% at Ultra-low Power
 - GSM HB
 - 55% at High Power
 - 32% at Medium Power
 - 22% at Low power
 - 10% at Ultra-low Power
- Small, low profile package
 - 5 x 5 mm x 1.0 mm Max.
 - 13-pad configuration



Description

SKY77351-13 Power Amplifier Module (PAM) is designed in a compact form factor for quad-band cellular handsets comprising GSM850/900, DCS1800 and PCS1900, supporting fixed gain Gaussian Minimum-Shift Keying (GMSK) and linear Enhanced Data for GSM Evolution (EDGE) modulation. Class 12 General Packet Radio Service (GPRS) multi-slot operation is also supported.

The module consists of GSM850/900 PA and DCS1800/PCS1900 PA blocks, impedance matching circuitry for 50 Ω input and output impedances, and a Multi-function Power Amplifier Control (MFC) block. A custom BiCMOS IC provides the internal MFC function and interface circuitry.

Two separate Heterojunction Bipolar Transistor (HBT) PA blocks are fabricated onto a single InGaP die; one supports the GSM850/900 bands, the other the DCS1800/PCS1900 bands. Both PA blocks share common power supply pads to distribute current. The InGaP and silicon dies and the passive components are mounted on a multi-layer laminate substrate. The entire assembly is encapsulated with plastic overmold.

RF input and output ports of the SKY77351-13 are internally matched to a 50 Ω load to reduce the number of external components. Extremely low leakage current (15 μA, typical) of the PAM module maximizes handset standby time.

The SKY77351-13 also contains switching circuitry to select GSM or DCS/PCS bands and select high or low power modes. See Figure 1 shown below.

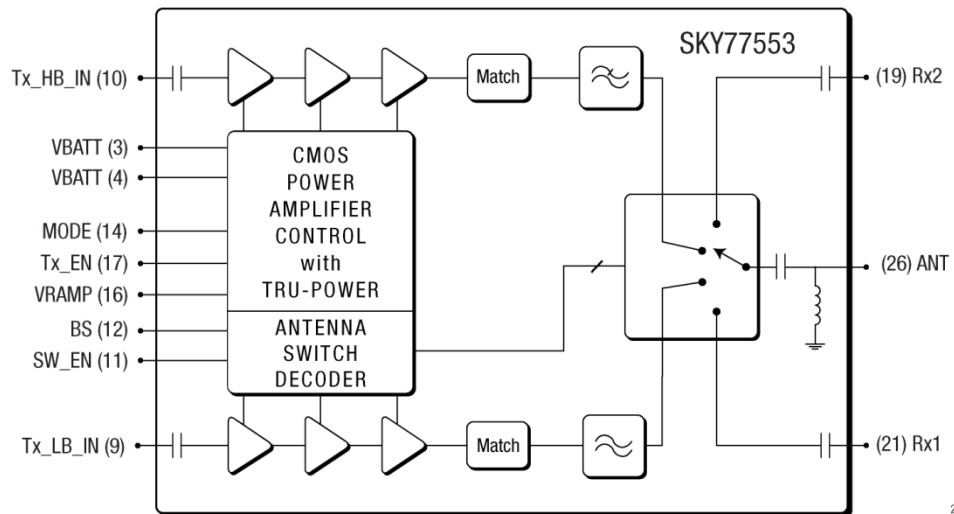


Figure 1. SKY77351-13 Functional Block Diagram

Ordering Information

Order Number	Manufacturing Part Number	Evaluation Board Part Number
SKY77351	SKY77351-13	

Copyright © 2012, Skyworks Solutions, Inc. All Rights Reserved.

Information in this document is provided in connection with Skyworks Solutions, Inc. ("Skyworks") products or services. These materials, including the information contained herein, are provided by Skyworks as a service to its customers and may be used for informational purposes only by the customer. Skyworks assumes no responsibility for errors or omissions in these materials or the information contained herein. Skyworks may change its documentation, products, services, specifications or product descriptions at any time, without notice. Skyworks makes no commitment to update the materials or information and shall have no responsibility whatsoever for conflicts, incompatibilities, or other difficulties arising from any future changes.

No license, whether express, implied, by estoppel or otherwise, is granted to any intellectual property rights by this document. Skyworks assumes no liability for any materials, products or information provided hereunder, including the sale, distribution, reproduction or use of Skyworks products, information or materials, except as may be provided in Skyworks Terms and Conditions of Sale.

THE MATERIALS, PRODUCTS AND INFORMATION ARE PROVIDED "AS IS" WITHOUT WARRANTY OF ANY KIND, WHETHER EXPRESS, IMPLIED, STATUTORY, OR OTHERWISE, INCLUDING FITNESS FOR A PARTICULAR PURPOSE OR USE, MERCHANTABILITY, PERFORMANCE, QUALITY OR NON-INFRINGEMENT OF ANY INTELLECTUAL PROPERTY RIGHT; ALL SUCH WARRANTIES ARE HEREBY EXPRESSLY DISCLAIMED. SKYWORKS DOES NOT WARRANT THE ACCURACY OR COMPLETENESS OF THE INFORMATION, TEXT, GRAPHICS OR OTHER ITEMS CONTAINED WITHIN THESE MATERIALS. SKYWORKS SHALL NOT BE LIABLE FOR ANY DAMAGES, INCLUDING BUT NOT LIMITED TO ANY SPECIAL, INDIRECT, INCIDENTAL, STATUTORY, OR CONSEQUENTIAL DAMAGES, INCLUDING WITHOUT LIMITATION, LOST REVENUES OR LOST PROFITS THAT MAY RESULT FROM THE USE OF THE MATERIALS OR INFORMATION, WHETHER OR NOT THE RECIPIENT OF MATERIALS HAS BEEN ADVISED OF THE POSSIBILITY OF SUCH DAMAGE.

Skyworks products are not intended for use in medical, lifesaving or life-sustaining applications, or other equipment in which the failure of the Skyworks products could lead to personal injury, death, physical or environmental damage. Skyworks customers using or selling Skyworks products for use in such applications do so at their own risk and agree to fully indemnify Skyworks for any damages resulting from such improper use or sale.

Customers are responsible for their products and applications using Skyworks products, which may deviate from published specifications as a result of design defects, errors, or operation of products outside of published parameters or design specifications. Customers should include design and operating safeguards to minimize these and other risks. Skyworks assumes no liability for applications assistance, customer product design, or damage to any equipment resulting from the use of Skyworks products outside of stated published specifications or parameters.

Skyworks, the Skyworks symbol, "Breakthrough Simplicity," DCR, Helios, HIP3, Innovation to Go, Intera, iPAC, LIPA, Polar Loop, and System Smart are trademarks or registered trademarks of Skyworks Solutions, Inc., in the United States and other countries. Third-party brands and names are for identification purposes only, and are the property of their respective owners. Additional information, including relevant terms and conditions, posted at www.skyworksin.com, are incorporated by reference.