

# PND Series

## Switching solenoid dump valve

### FEATURES

- 2-way Normally Open exhaust valve in a small package size
- Works well in miniature applications such as in Non-Invasive Blood Pressure (NIBP) devices
- Provides small size and low cost
- Offers low holding voltage



### MEDIA COMPATIBILITY

Non-corrosive gases

### WETTED MATERIALS

Elastomer:  
Silicon; nickel-plated steel

Frame:  
SPCC (treatment: MFZn2-c)

All other:  
Polybutylene Terephthalate (PBT);  
304 series stainless steel

### PHYSICAL PROPERTIES

Operating environment	0 to 45 °C
Storage temperature	-25 to 70 °C
Length	25.6 mm (1.01 in)
Width	10 mm (0.394 in)
Height	12 mm (0.472 in)
Porting	1 port, 0.118 in (3 mm) O.D., suitable for 0.078 in I.D., Urethane tubing
Weight	7.7 g (0.27 oz)
Internal volume	0.026 cm <sup>3</sup>
Filtration	None required
Lubrication	None required

### ELECTRICAL

Power	0.5 W or less
Voltage	3, 6 or 12 V <sub>DC</sub>

# PND Series

## Switching solenoid dump valve

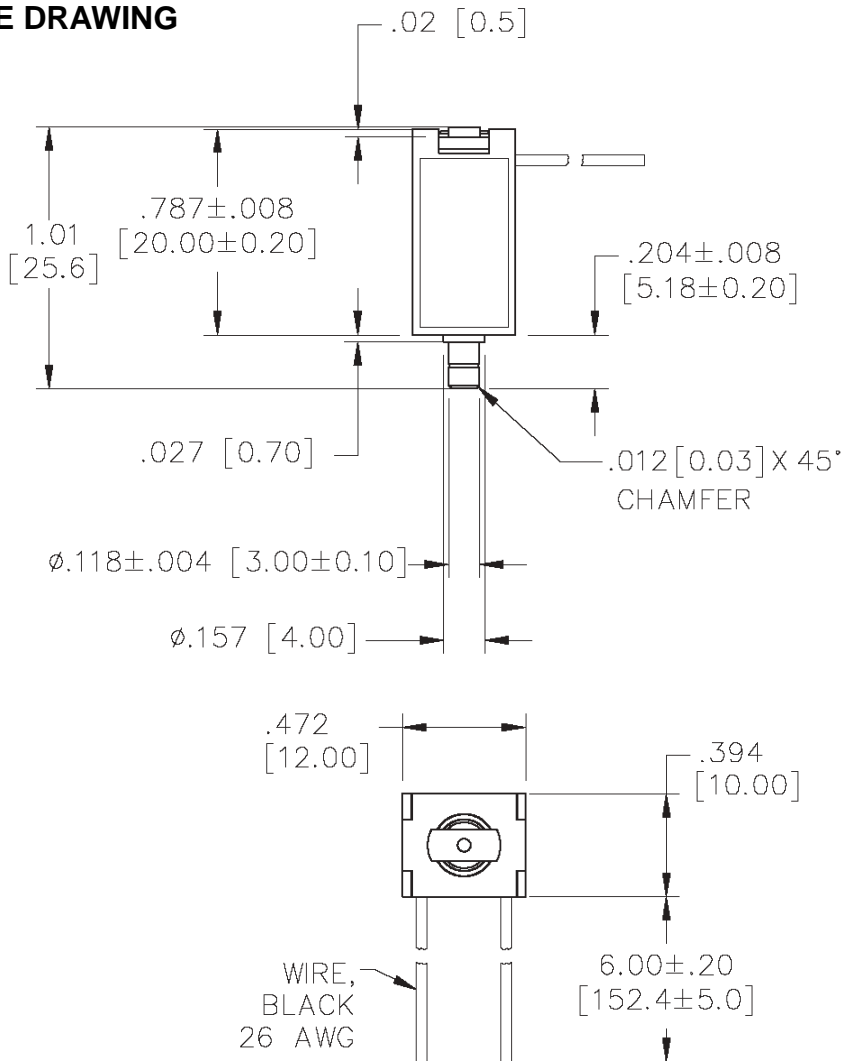
### PERFORMANCE CHARACTERISTICS

Part no.	Pressure	Vacuum	Orifice sizes/ Equivalent $C_v$ <sup>1</sup>	Leak rate <sup>2</sup>	Response
PND-05D-...	0...6 psig holding	0...27 "Hg (0...13 psi)	0.030" (0.510 mm)/ 0.017 $C_v$	0.016 sccm (bubble tight)	<100 msec cycling
PND-05A-...*			0.050" (1.270 mm)/ 0.035 $C_v$		

**Notes:**

- <sup>1</sup> The  $C_v$  value is the volume flow in US gallons/min under specific flow conditions and describes the relative flow capacity of a valve. If several valves with the same nominal diameter are compared, the valve with the highest  $C_v$  value has the best flow dynamics design. The equivalent european measure is the  $k_v$  value expressed in  $m^3/h$  ( $k_v = 0.86 C_v$ ).
- <sup>2</sup> sccm denotes Standard Cubic Centimeters per Minute. It is a unit for the flow rate at standard conditions of temperature and pressure.

### OUTLINE DRAWING



dimensions in inches (mm)

# PND Series

## Switching solenoid dump valve

### ORDERING INFORMATION

Options	Series	Watts (rated power at 20 °C)		Orifice size		Voltage	
		PND	05:	0.5 W	D :	0.030" (0.762 mm)	3:
				A*:	0.050" (1.270 mm)	6:	6 V <sub>DC</sub>
						12:	12 V <sub>DC</sub>
				* Frame width and height increases to 13 x 15 mm			
<b>Example:</b>	PND	05		A		12	

**Note: Not all combinations might be available.  
Please contact your nearest Sensortechincs sales representative for further information.**

Sensortechincs reserves the right to make changes to any products herein. Sensortechincs does not assume any liability arising out of the application or use of any product or circuit described herein, neither does it convey any license under its patent rights nor the rights of others.