



TAI-SAW TECHNOLOGY CO., LTD.

No. 3, Industrial 2nd Rd., Ping-Chen Industrial District,
Taoyuan, 324, Taiwan, R.O.C.

TEL: 886-3-4690038 FAX: 886-3-4697532

E-mail: tstsales@mail.taisaw.com Web: www.taisaw.com

Approval Sheet For Product Specification

Issued Date: Feb, 5, 2005

Product Name: SAW Filter 2140MHz SMD 2.5X2.0 mm

TST Parts No.: TA0402A

Customer Parts No.: _____

Company: _____
Division: _____
Approved by : _____
Date: _____

Checked by: _____ Bob Chau

Approval by: _____ Francis Chen

Date: _____ 2,5,2005



TAI-SAW TECHNOLOGY CO., LTD.

No. 3, Industrial 2nd Rd., Ping-Chen Industrial District,
Taoyuan, 324, Taiwan, R.O.C.

TEL: 886-3-4690038 FAX: 886-3-4697532

E-mail: tstsales@mail.taisaw.com Web: www.taisaw.com

SAW Filter 2140 MHz for Mobile Communication

MODEL NO.: TA0402A

REV. NO.:1.0

A. MAXIMUM RATING:

1. Input Power Level: 5 dB_m
2. DC voltage: 0 V
3. Operating Temperature: -20°C to +75°C
4. Storage Temperature: -40°C to +85°C

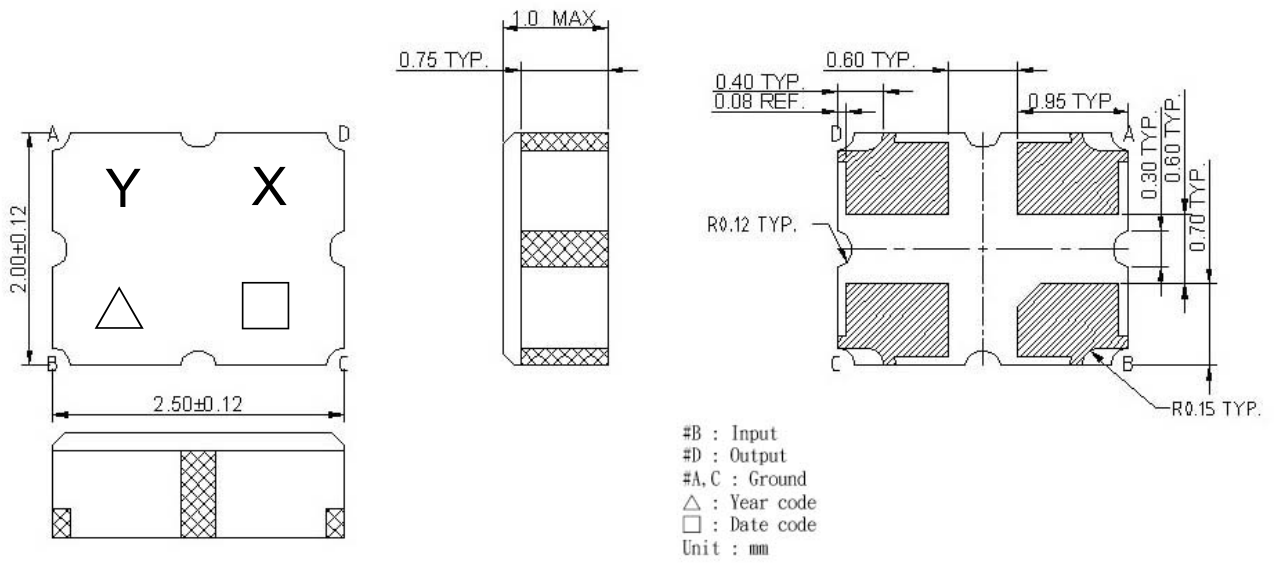
RoHS Compliant
Lead free
Lead-free soldering

B. ELECTRICAL CHARACTERISTICS:

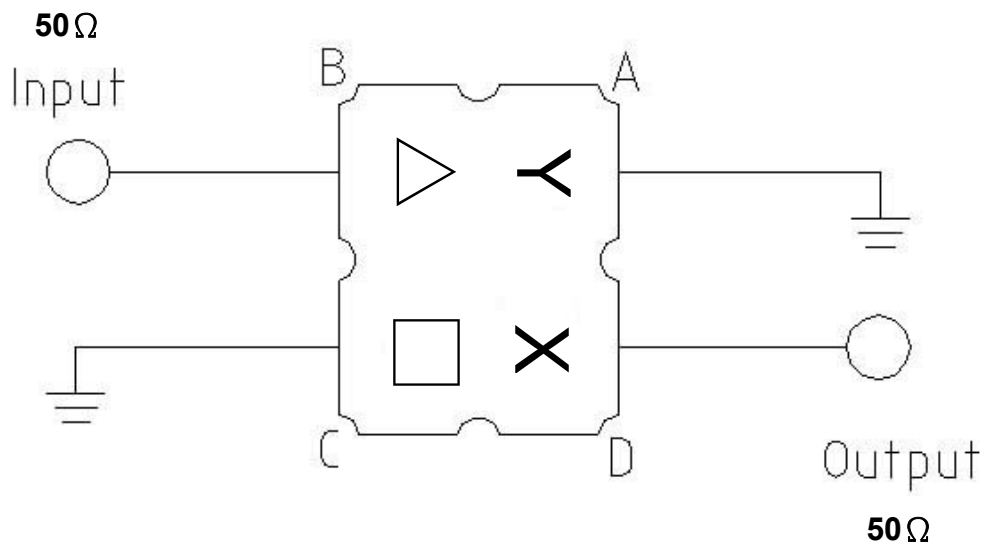
Item	Min.	Typ.	Max.
Center frequency F_c (dB)	-	2140	-
Insertion loss within 2110 ~2170 MHz IL (dB)	-	2.37	3.5
Amplitude ripple (p-p) within 2110 ~2170 MHz (dB)	-	1	1.8
Attenuation (Reference level from 0 dB)			
1920 ~ 1980 MHz (dB)	25	33	-
2205 ~ 2265 MHz (dB)	10	35	-
2300 ~ 2360 MHz (dB)	30	39	-
2490 ~ 2550 MHz (dB)	30	37	-
2870 ~ 2930 MHz (dB)	30	41	-
4220 ~ 4340 MHz (dB)	20	34	-
VSWR within 2110 ~2170 MHz	-	1.5	2.3
Source impedance Z_s (Ω)	-	50	-
Load impedance Z_L (Ω)	-	50	-

Note1. No matching network required for operation at 50 Ω

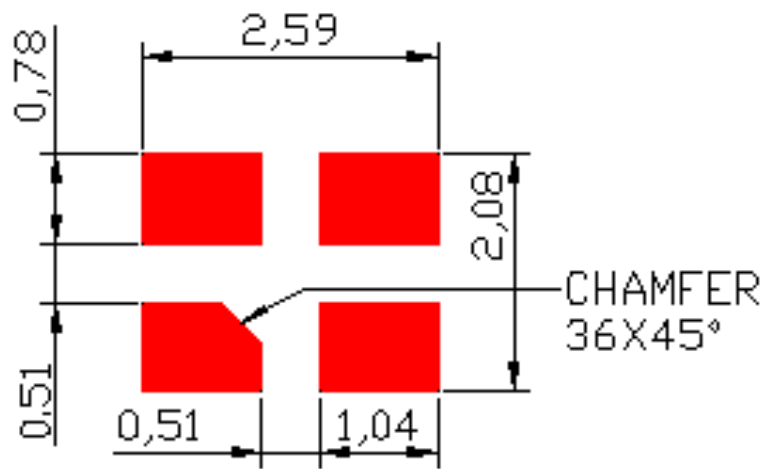
C. OUTLINE DRAWING:



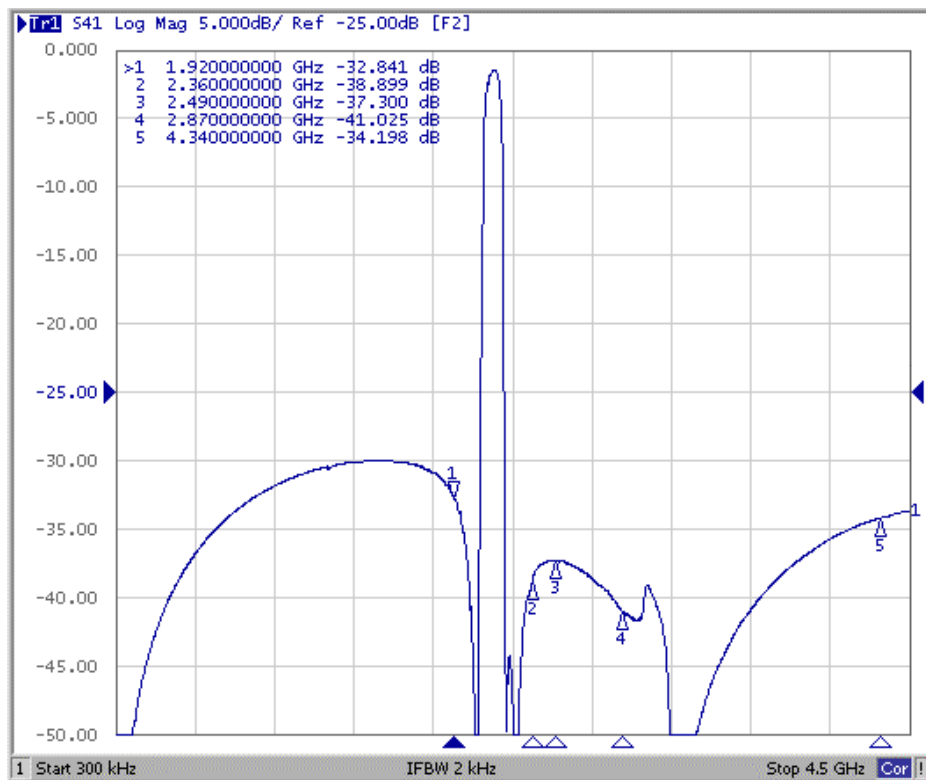
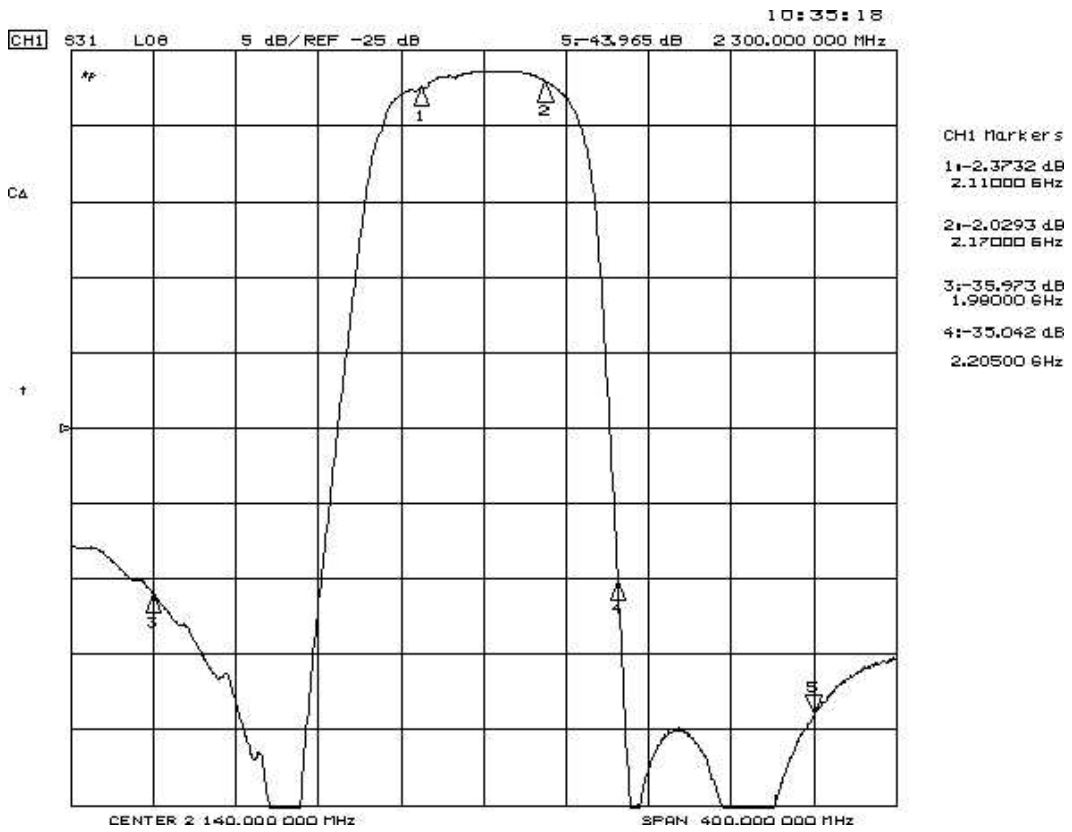
D. MEASUREMENT CIRCUIT:



E. PCB Footprint:

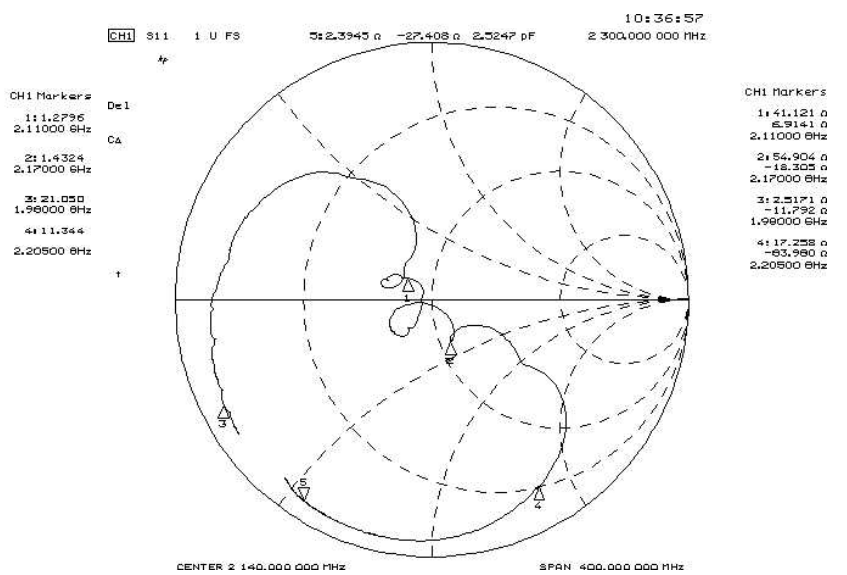


F. Frequency Characteristics : Transfer function

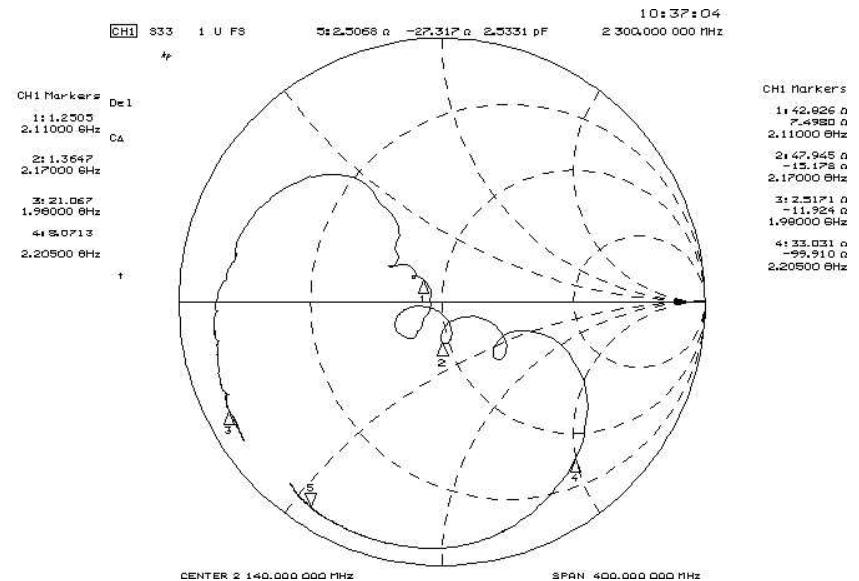
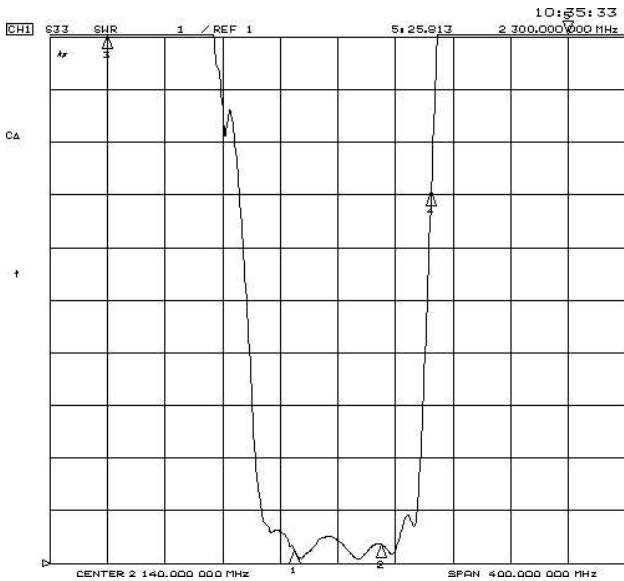


Reflections Functions :

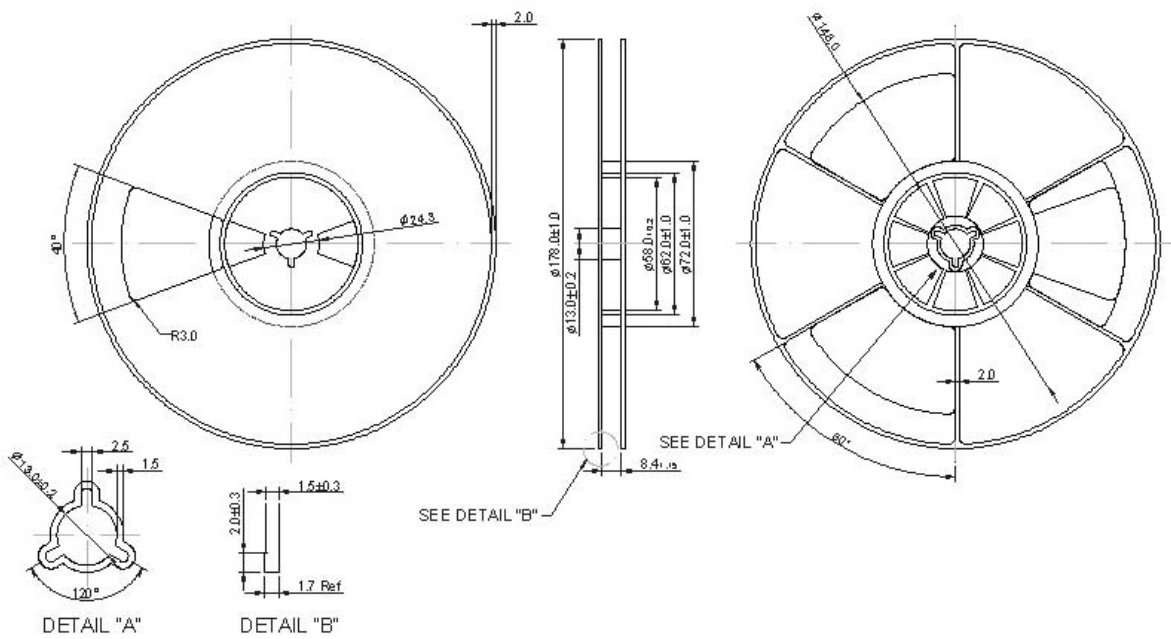
S11 VSWR



S22 VSWR



G. PACKING:
1. REEL DIMENSION



2. TAPE DIMENSION

