

PLEASE CHECK WWW.MOLEX.COM FOR LATEST PART INFORMATION

Part Number: [0351810220](#)
Status: **Active**
Description: 1.78mm (.070") Tab Multiple Wire-to-Wire Female Housing, 2 Circuits, Vertical, C-Type

Documents:

[Drawing \(PDF\)](#) [RoHS Certificate of Compliance \(PDF\)](#)
[Product Specification PS-35182-003 \(PDF\)](#)

Agency Certification

CSA LR19980
 UL E29179

General

Product Family Crimp Housings
 Series [35181](#)
 Product Name N/A

Physical

Circuits (maximum) 2
 Color - Resin Natural
 Flammability 94V-0
 Gender Female
 Glow-Wire Compliant No
 Material - Resin Polyester
 Number of Rows 2
 Packaging Type Bag
 Panel Mount No
 Pitch - Mating Interface (in) 0.315 In
 Pitch - Mating Interface (mm) 8.00 mm
 Stackable No
 Temperature Range - Operating -40°C to +120°C

Material Info

Reference - Drawing Numbers

Product Specification PS-35182-003
 Sales Drawing SD-35181-022*

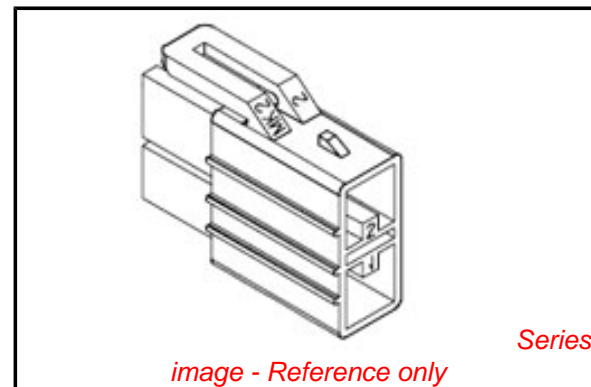


image - Reference only

EU RoHS

**ELV and RoHS
 Compliant**
REACH SVHC
 Not Reviewed
**Halogen-Free
 Status**
Not Reviewed

China RoHS



**Need more information on product
 environmental compliance?**

Email productcompliance@molex.com
 For a multiple part number RoHS Certificate of
 Compliance, [click here](#)

Please visit the [Contact Us](#) section for any
 non-product compliance questions.

Search Parts in this Series

[35181Series](#)

Mates With

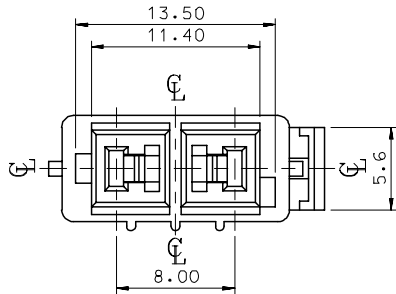
[35180](#) Wire-to-Wire Male Housing

Use With

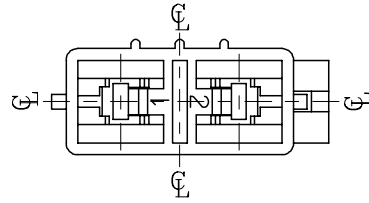
[35748](#) VersaBlade™ Crimp Terminal, [35182](#)
 Versablade™ Wire-to-Wire Male Housing
 TPA™

PLEASE CHECK WWW.MOLEX.COM FOR LATEST PART INFORMATION

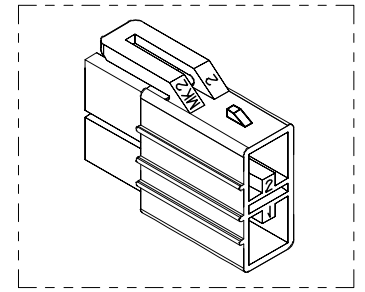
10 9 8 7 6 5 4 3 2 1



VIEW "A"

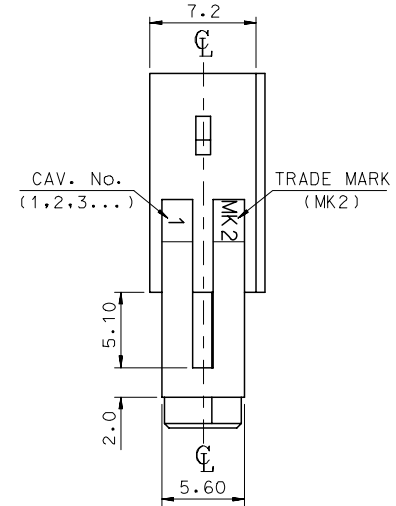
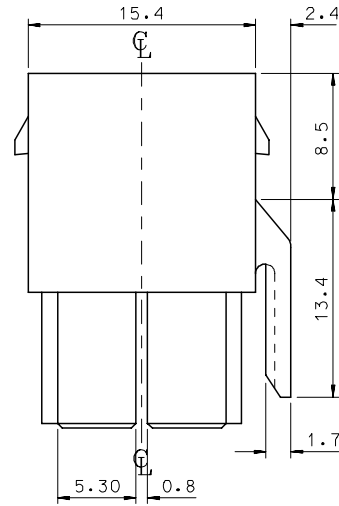
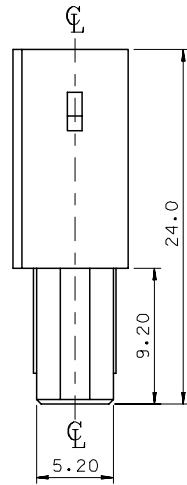


↑ "A"



NOTES

1. MATERIAL & COLOR : SEE TABLE
2. MATCHED HOUSING : 35180-060*
3. APPLICABLE TERMINAL : 35748-0*10
4. APPLICABLE T.P.A : 35182-019*



NO	PRODUCT		MATERIAL	
	PART NO	MATERIAL NO	COLOR	DESCRIPTION
1	35181-0220	351810220	NATURAL	PBT (UL94V-0)
2	35181-0229	351810229	NATURAL	PBT/PC(UL94V-0)

REVISED	DESCRIPTION
EC NO: KOR2008-0078	2007/09/10
DRWN: JHPARK01	2007/09/10
CHKD: WY. YANG	2007/09/10
APPR: YUNSIKKIM	2007/09/10
REV	DESCRIPTION

QUALITY SYMBOLS	GENERAL TOLERANCES (UNLESS SPECIFIED)
▽=0	mm INCH
▽=0	4 PLACES ± --- ± ---
	3 PLACES ± --- ± ---
	2 PLACES ± --- ± ---
	1 PLACE ± 0.3 ± ---
	ANGULAR ± 1 °
	DRAFT WHERE APPLICABLE MUST REMAIN WITHIN DIMENSIONS

DIMENSION STYLE		SCALE	DESIGN UNITS	THIRD ANGLE PROJECTION
MM ONLY		3:1	METRIC	
DRAWN BY	DATE	TITLE		
JS. KANG		.070 MULTI W/W CONN		
CHECKED BY	DATE	FEMALE HSG-2P(C)		
APPROVED BY	DATE	MOLEX INCORPORATED		
MATERIAL NO.	DOCUMENT NO.	SD-35181-022*		
SIZE	SEE TABLE		SHEET NO.	
A3	THIS DRAWING CONTAINS INFORMATION THAT IS PROPRIETARY TO MOLEX INCORPORATED AND SHOULD NOT BE USED WITHOUT WRITTEN PERMISSION		1 OF 01	

SCALE		DESIGN UNITS	THIRD ANGLE PROJECTION
3:1		METRIC	
TITLE		.070 MULTI W/W CONN	
		FEMALE HSG-2P(C)	
		MOLEX INCORPORATED	
MATERIAL NO.		DOCUMENT NO.	
		SD-35181-022*	
SIZE		SHEET NO.	
A3		1 OF 01	

9 8 7 6 5 4 3 2 1