

**PLEASE CHECK WWW.MOLEX.COM FOR LATEST PART INFORMATION**

**Part Number:** **0190170006**  
**Status:** **Active**  
**Description:** InsulKrimp™ Quick Disconnect, Female, for 18-22 (0.80-0.35) Wire, Mylar Tape, Tab 2.79mm (.110") x 0.81mm (.032")

**Documents:**

[Drawing \(PDF\)](#) [RoHS Certificate of Compliance \(PDF\)](#)  
[Product Specification PS-19902-008 \(PDF\)](#)

**Agency Certification**

CSA LR18689  
 UL E79133

**General**

Product Family Quick Disconnects  
 Series 19017  
 Crimp Quality Equipment Yes  
 Product Name InsulKrimp™  
 Type Quick Disconnect

**Physical**

Barrel Type Closed  
 Color - Resin Natural  
 Flammability 94V-2  
 Gender Female  
 Glow-Wire Compliant No  
 Insulation PVC  
 Lock to Mating Part None  
 Material - Metal Brass  
 Material - Plating Mating Tin  
 Material - Plating Termination Tin  
 Material - Resin PVC  
 Orientation Straight  
 Packaging Type Adhesive Tape on Reel  
 Plating min: Mating (µin) 160  
 Plating min: Mating (µm) 4  
 Plating min: Termination (µin) 160  
 Plating min: Termination (µm) 4  
 Polarized to Mating Part No  
 Tab Thickness 0.81mm (.032")  
 Tab Width 2.79mm (.110")  
 Temperature Range - Operating -50°C to +105°C  
 Termination Interface: Style Crimp or Compression  
 Wire Insulation Diameter 3.40mm (.134") max.  
 Wire Size AWG 18, 20, 22  
 Wire Size mm² 0.35 - 0.80

**Electrical**

Voltage - Maximum 600V

**Material Info**

Old Part Number AA-2134T

**Reference - Drawing Numbers**

Product Specification PS-19902-008  
 Sales Drawing CD2903

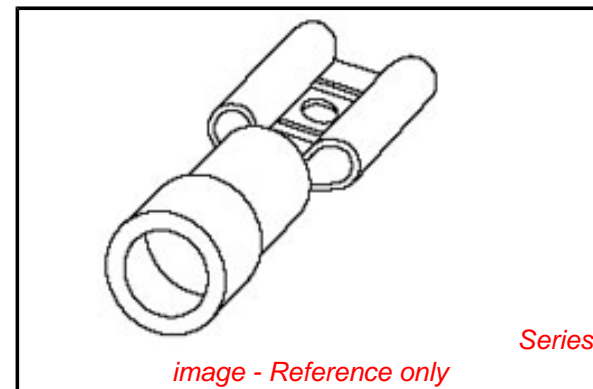


image - Reference only

Series

**EU RoHS**

**ELV and RoHS Compliant**  
**REACH SVHC**  
 Not Reviewed  
**Halogen-Free Status**  
 Not Reviewed

**China RoHS**



**Need more information on product environmental compliance?**

Email [productcompliance@molex.com](mailto:productcompliance@molex.com)  
 For a multiple part number RoHS Certificate of Compliance, [click here](#)

Please visit the [Contact Us](#) section for any non-product compliance questions.

**Search Parts in this Series**

19017Series

**Application Tooling | FAQ**

*Tooling specifications and manuals are found by selecting the products below. Crimp Height Specifications are then contained in the Application Tooling Specification document.*

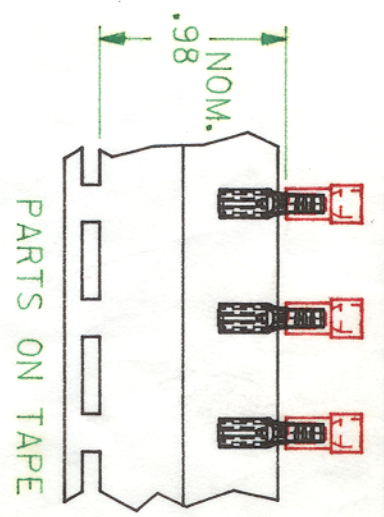
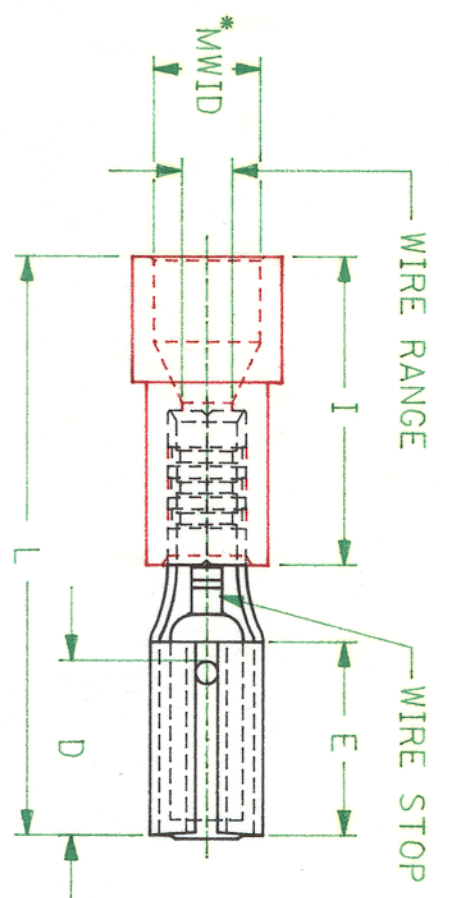
**Global**

Description	Product #
Crimp Dies for MTA-100 Tape Applicator used in 3BF Press, MTA-105 Tape Applicator used in TM-2000™ Press, and ATP-301 Air Crimping Press for Mylar Tape Mounted Terminals Mini-Mac™ Applicator	<u>0192880048</u> <u>0638850800</u>

This document was generated on 03/24/2010

**PLEASE CHECK [WWW.MOLEX.COM](http://WWW.MOLEX.COM) FOR LATEST PART INFORMATION**

DRWG. NO. CD-2903



MATERIAL: BRASS  
FINISH: ELECTRO-TIN PLATING  
INSULATION: PVC

\*MWID=MAXIMUM WIRE INSULATION DIAMETER

PART NUMBERS ARE FOR LOOSE PIECE TO ORDER PARTS ON TAPE ADD A "T" TO END OF PART NUMBER

PART NUMBER	INS. COLOR	WIRE RANGE AWG	WIRE RANGE MM <sup>2</sup>	FITS MALE TAB SIZE	STOCK THICK.	"L" MAX.	"T" MAX.	"W" MAX.	"D" ±.01	"H" ±.01	"E" NOM.	MWID
AA-2134	RED	22-18	0.25-1.3	.110X.032	.012	.78	.41	.16	.210	.08	.25	.13
BB-2135	BLUE	16-14	1.0-2.6	.110X.032	.012	.78	.41	.16	.210	.08	.25	.14
AA-2131	RED	22-18	0.25-1.3	.110X.020	.012	.78	.41	.16	.210	.07	.25	.13
BB-2132	BLUE	16-14	1.0-2.6	.110X.020	.012	.78	.41	.16	.210	.07	.25	.14

REVISIONS ONLY ON CAD SYSTEM

INSULKRIMP  
QUICK DISCONNECTS

CUSTOMER DRAWING

DRWG. BY RCM  
CHK'D. BY  
APP'D. BY  
SCALE NO:NE

ETC INC. PINELLAS PARK, FLA. 34665 U.S.A.

THIS DRAWING CONTAINS INFORMATION THAT IS PROPRIETARY TO MOLEX-ETC INC. AND SHOULD NOT BE USED WITHOUT WRITTEN PERMISSION.

SHEET NO. DATE 11/27/90

CD-2903  
DIV. SIZE A