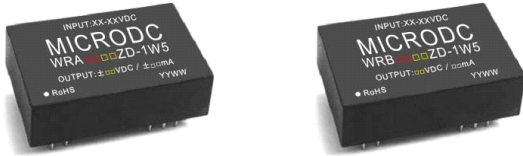


# MICRODC

Professional Power Module

## WRA-ZD-1W5&WRB-ZD-1W5 Series

1.5W, WIDE INPUT, ISOLATED & REGULATED DUAL/SINGLE OUTPUT DC-DC CONVERTER



### FEATURES

- ◆ DIP24 package
- ◆ Wide input voltage range(4:1)
- ◆ Operating temperature: -40℃ ~ +85℃
- ◆ 1500VDC Input/Output isolation
- ◆ Short circuit protection(automatic recovery)
- ◆ Internal SMD construction
- ◆ No external component required
- ◆ No heat sink required
- ◆ Industry standard pinout
- ◆ Five-sided shielding package
- ◆ MTBF>1,000,000 hours
- ◆ RoHS Compliance

### MODEL SELECTION

**WRA<sup>①</sup>24<sup>②</sup>12<sup>③</sup>Z<sup>④</sup>D<sup>⑤</sup>-1W5<sup>⑥</sup>**

- ① Product Series
- ② Input Voltage
- ③ Output Voltage
- ④ Wide (4:1) Input Range
- ⑤ DIP24 Package
- ⑥ Rated Power

### APPLICATIONS

The WRA\_ZD-1W5&WRB\_ZD-1W5 series are specially designed for applications where a wide range input voltage power supplies are isolated from the input power supply in a distributed power supply system on a circuit board.

These products apply to:

- 1) Where the voltage of the input power supply is wide range (voltage range≤4:1);
- 2) Where isolation is necessary between input and output (Isolation Voltage≤1500VDC);
- 3) Where the regulation of the output voltage and the output ripple noise are demanded.



**CE REACH**  
MICRODC reserves the copyright

### SELECTION GUIDE

Order code	Input				Output			Efficiency (% Typ)
	Voltage(VDC)			No-load (mA)(typ.)	Voltage (VDC)	Current(mA)		
	Nominal	Range	Max.*			Max.	Min.	
WRA2405ZD-1W5	24	9-36	40	16	±5	±150	±15	74
WRA2412ZD-1W5	24	9-36	40	16	±12	±63	±6	78
WRA2415ZD-1W5	24	9-36	40	16	±15	±50	±5	79
WRB2403ZD-1W5	24	9-36	40	16	3.3	455	45	72
WRB2405ZD-1W5	24	9-36	40	16	5	300	30	74
WRB2409ZD-1W5	24	9-36	40	16	9	167	17	76
WRB2412ZD-1W5	24	9-36	40	16	12	125	12	78
WRB2415ZD-1W5	24	9-36	40	16	15	100	10	80
WRA4805ZD-1W5	48	18-72	80	8	±5	±150	±15	74
WRA4812ZD-1W5	48	18-72	80	8	±12	±63	±6	78
WRA4815ZD-1W5	48	18-72	80	8	±15	±50	±5	80
WRB4803ZD-1W5	48	18-72	80	8	3.3	455	45	72
WRB4805ZD-1W5	48	18-72	80	8	5	300	30	74
WRB4809ZD-1W5	48	18-72	80	8	9	167	17	76
WRB4812ZD-1W5	48	18-72	80	8	12	125	12	78
WRB4815ZD-1W5	48	18-72	80	8	15	100	10	80

\* Input voltage over it may cause permanent damage to the device.

### COMMON SPECIFICATIONS

Parameter	Test conditions	Min.	Typ.	Max.	Units
Storage humidity				95	%
Operating temperature		-40		85	℃
Storage Temperature		-55		125	℃
Temp. rise at full load			15		℃
Lead temperature	1.5mm from case for 10 seconds			300	℃
Cooling	Free air convection				
Case material	Plastic(UL94-V0) or Stainless steel				
Short circuit protection	Continuous, automatic recovery				
MTBF		1000			K hours
Weight			15		g

### ISOLATION SPECIFICATIONS

Parameter	Test conditions	Min.	Typ.	Max.	Units
Isolation voltage	Tested for 1 minute and 1mA max	1500			VDC
Isolation resistance	Test at 500VDC	1000			MΩ
Isolation capacitance	Input/Output, 100KHz/1V		100		pF

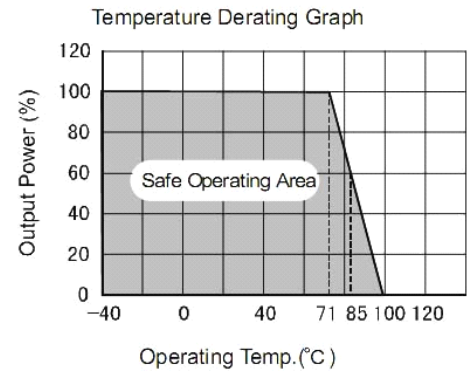
### ISOLATION SPECIFICATIONS

Parameter	Test conditions	Min.	Typ.	Max	Units
Output power	See above products program	0.15		1.5	W
Positive voltage accuracy	Refer to recommended circuit		±1	±3	%
Negative voltage accuracy	Refer to recommended circuit		±3	±5	%
Load regulation	From 10% to 100% load		±0.5	±2*	%
Line regulation	Input voltage from low to high		±0.2	±0.75	%
Temperature drift	Refer to recommended circuit			±0.03	%/°C
Ripple**	20MHz Bandwidth		20	50	mVp-p
Noise**	20MHz Bandwidth		50	100	mVp-p
Switching frequency	100% load, input voltage range		300		KHz

\* Dual output models unbalanced load: ±5%.

\*\*Test ripple and noise by "parallel cable" method. See detailed operation instructions at Testing of Power Converter section, application notes.

### TYPICAL CHARECTERISTICS



### APPLICATION NOTE

#### 1) Requirement on output load

In order to ensure the product operate efficiently and reliably, in addition to a max load (namely full load), a minimum load is specified for this kind of DC/DC converter. Make sure the specified range of input voltage is not exceeded, the minimum output load **no less than 10% load**. If the actual load is less than the specified minimum load, the output ripple may increase sharply while its efficiency and reliability will reduce greatly. If the actual output power is very small, please add an appropriate resistor as extra loading, or contact our company for other lower output power products.

#### 2) Recommended Circuit

All the WRA\_ZD-1W5&WRB\_ZD-1W5 Series have been tested according to the following recommended testing circuit before leaving factory. (See Figure 1).

If you want to further decrease the input/output ripple, you can increase capacitance properly or choose capacitors with low ESR. However, the capacitance should not be too high, or may cause start-up problem. For every channel of output, provided the safe and reliable operation is ensured, the greatest capacitance of its filter capacitor sees (Table 1).If you want to use the products in high EMI, please choose our metal packaged products (WRA\_ZD-1W5 & WRB\_ZD-1W5). General:

Cin: 24V&48V 10μF~47μF

Cout: 10μF/100mA

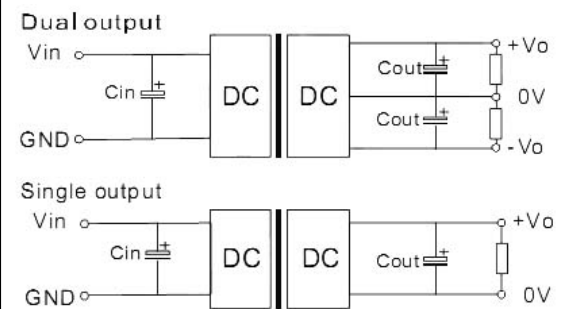
#### 3) Input Current

When it is used in unregulated power supply, be sure that the fluctuating range of the power supply and the rippled voltage do not exceed the module standard. Input current of power supply should afford the startup current of this kind of DC/DC module. (See figure 2)

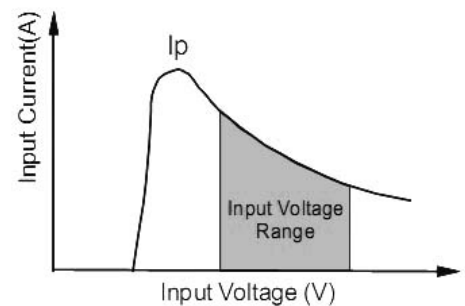
General:  $I_p \leq 1.4 \cdot I_{in-max}$

#### 4) No parallel connection or plug and play

### RECOMMENDED CIRCUIT



(Figure 1)



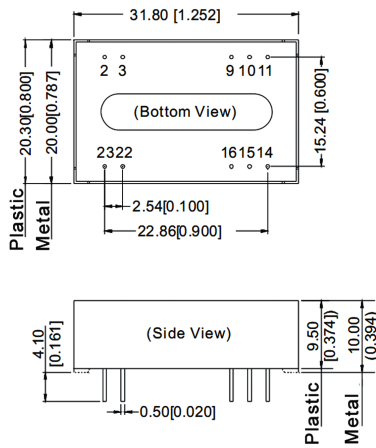
(Figure 2)

Output External Capacitor Table (Table 1)

Single Vout (VDC)	Cout (uF)	Daul Vout (VDC)	Cout (uF)
3.3	2200	±5	680
5	1000	±12	330
9	680	±15	220
12	470	-	-
15	330	-	-

### OUTLINE DIMENSIONS & FOOTPRINT DETAILS

#### MECHANICAL DIMENSIONS



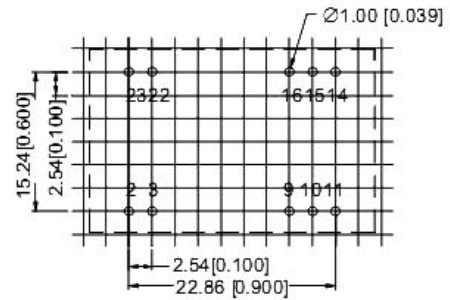
Note:  
 Unit:mm[inch]  
 Pin diameter tolerances:±0.10mm[±0.004inch]  
 General tolerances±0.25mm[±0.010inch]

FOOTPRINT DETAILS		
Pin	Single	Dual
2,3	GND	GND
9	NC	0V
10,15	NC	NC
11	NC	-Vo
14	+Vo	+Vo
16	0V	0V
22,23	Vin	Vin

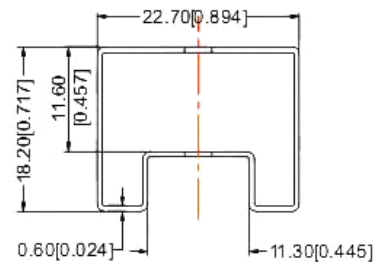
NC:No connection

#### RECOMMENDED FOOTPRINT(TOP VIEW)

DUAL/SINGLE OUTPUT



#### TUBE OUTLINE DIMENSIONS



Note:  
 Unit :mm[inch]  
 General tolerances : ±0.50mm[±0.020inch]  
 L=530mm[20.866inch] Tube Quantity: 15pcs  
 L=220mm[8.661inch] Tube Quantity: 6pcs

Note:

- The load shouldn't be less than 10%, otherwise ripple will increase dramatically.
- Operation under 10% load will not damage the converter; However, they may not meet all specification listed.
- All specifications measured at Ta=25°C, humidity<75%, nominal input voltage and rated output load unless otherwise specified.
- In this datasheet, all the test methods of indications are based on corporate standards.
- Only typical models listed, other models may be different, please contact our technical person for more details.

# MICRODC

Professional Power Module

Microdc Professional Power Module, Inc.

Tel:0086-20-86000646 E-mail:tech@microdc.cn

Website:http://www.microdc.cn

Microdc Professional Power module,Inc.makes no representation that the use of its products in the circuits described herein, or the use of other technical information contained herein, will not infringe upon existing or future patent rights. Specifications are subject to change without notice.

©2010 Microdc Professional Power Module, Inc. Guangzhou



#### RoHS COMPLIANT INFORMATION

This series is compatible with RoHS soldering systems with a peak wave solder temperature of 300°C for 10 seconds. The pin termination finish on the SIP package type is Tin Plate, Hot Dipped over Matte Tin with Nickel Preplate. The DIP types are Matte Tin over Nickel Preplate. Both types in this series are backward compatible with Sn/Pb soldering systems.



#### REACH COMPLIANT INFORMATION

This series has proven that this product does not contain harmful chemicals, it also has harmful chemical substances through the registration, inspection and approval.