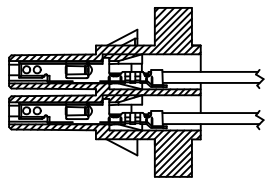
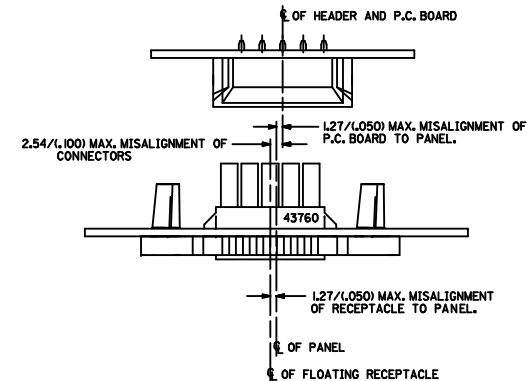
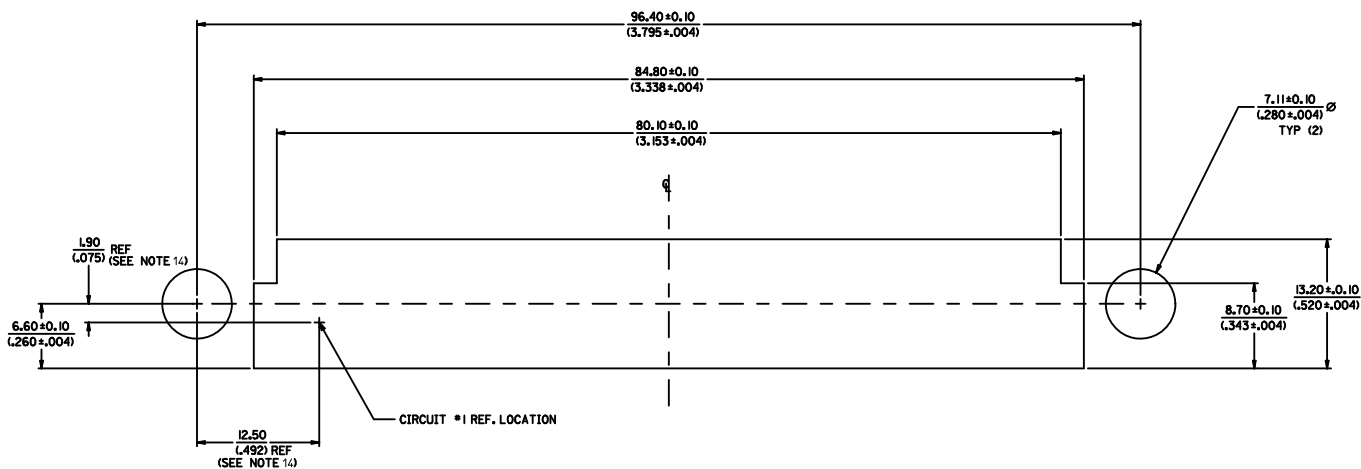
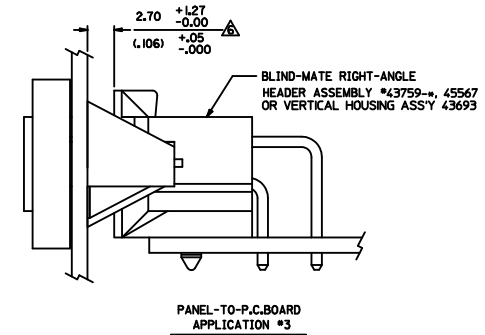
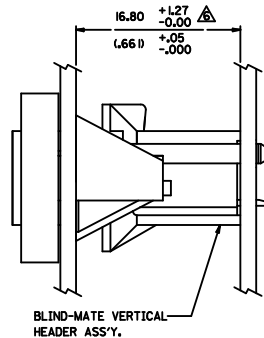
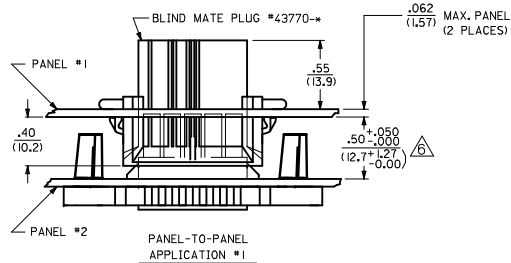


- NOTES:**
1. MATERIAL:
NYLON, 94V-2, COLOR: NATURAL (WHITE).
 2. FINISH: NONE
 3. PRODUCT SPECIFICATION: PS-43759-0001
 4. PACKAGING SPECIFICATION: PK-40873-0134
 5. PART MATES WITH MINI-FIT B.M.I. HEADER #43759, 45567 OR 43693, AND BMI PLUG # 43770.
 6. A MAXIMUM TOLERANCE OF .050/(1.27) ALLOWS FOR 2 POINTS OF ELECTRICAL CONTACT. A MAXIMUM TOLERANCE OF .020/(.51) ALLOWS FOR 4 POINTS OF CONTACT.
 7. THIS CONNECTOR ALLOWS FOR .050/(1.27) MAX. MISALIGNMENT IN ANY DIRECTION.
 8. CONNECTOR ASSEMBLIES ARE NOT TO BE MATED OR UNMATED WHILE CIRCUITS ARE LIVE.
 9. THIS PART IS INTENDED FOR ONE PANEL INSERTION ONLY. REMOVAL AND RE-INSERTION CAN DAMAGE THE MOUNTING SPIRALS.
 10. PANEL SHOULD BE PUNCHED IN THE DIRECTION OF CONNECTOR INSERTION.
 11. BOTH SPIRALS SHOULD BE INSERTED INTO THE PANEL AT THE SAME TIME. ROCKING THE PART INTO PLACE MAY CAUSE SPIRAL DAMAGE.
 12. IF THIS PRODUCT IS STORED IN AN ENVIRONMENT WITH A RELATIVE HUMIDITY OF LESS THAN 50%, MOISTURE MUST BE ADDED. REFER TO TECHNICAL ADVISORY AS-45499-002 FOR INSTRUCTIONS.
 13. PART IS FOR USE WITH 5556 OR 44476 SERIES TERMINALS.
 14. THIS DIMENSION TO BE USED FOR ALIGNMENT OF THE MATING CONNECTOR.
 15. PART MAY OR MAY NOT HAVE OPTIONAL RIBS.
 16. THIS PART IS NOT INTENDED TO PROVIDE ANY ALIGNMENT OF CUSTOMER COMPONENTS OR MODULES, SUCH AS POWER SUPPLIES AND CHASSIS.
 17. WIRES ARE TO BE DRESSED IN SUCH A MANNER TO ALLOW THE TERMINALS TO FLOAT FREELY IN THE POCKET.
 18. THIS PART CONFORMS TO CLASS B REQUIREMENTS OF COSMETIC SPECIFICATION PS-45499-002.

UPDATE HSG NOTE EEC NO: UCP2012-2787 DRAWN BY: DORNINGWEN CHKD: BELL APPROVED: FSMITH DATE: 2012/07/24 DATE: 2012/07/24 DATE: 2012/05/04	QUALITY SYMBOLS ∇=0 ∇=0 ∇=0 ∇=0	GENERAL TOLERANCES (UNLESS SPECIFIED)		DIMENSION STYLE MM/IN		SCALE 4:1	DESIGN UNITS METRIC	THIRD ANGLE PROJECTION	
		4 PLACES ± .015 3 PLACES ± .015 2 PLACES ± 0.38 1 PLACE ± .015	mm INCH	DRAWN BY MAN LAPAZ	DATE 06/18/17	TITLE PANEL-MOUNT RECEPTACLE 36-CIRCUIT BLIND MATE MINI-FIT SERIES			
		ANGULAR ±1/2°	DRAFT WHERE APPLICABLE MUST REMAIN WITHIN DIMENSIONS	APPROVED BY FSMITH	DATE 2012/05/04	MOLEX INCORPORATED			
		MATERIAL NO. 43760-0001	DOCUMENT NO. SD-43760-001	SHEET NO. 1 OF 2		THIS DRAWING CONTAINS INFORMATION THAT IS PROPRIETARY TO MOLEX INCORPORATED AND SHOULD NOT BE USED WITHOUT WRITTEN PERMISSION			



SECTION "Z-Z"
TERMINAL ORIENTATION



SEE SHEET 1 IEC NO. UCP2012-2787 DRAWN BY: DRANKHUNEN 2012/02/24 CHECKED BY: CHYD-BELL 2012/02/24 APPROVED BY: FSMITH 2012/05/04 D1	QUALITY SYMBOLS	GENERAL TOLERANCES (UNLESS SPECIFIED)	DIMENSION STYLE	SCALE	DESIGN UNITS	THIRD ANGLE PROJECTION
	▽=0	mm INCH	MM/IN	4:1	METRIC	☉
	▽=0	4 PLACES ± --- ± ---	MAN LAPAZ 06/18/97	DATE	TITLE	PANEL-MOUNT RECEPTACLE 36-CIRCUIT BLIND MATE MINI-FIT SERIES
	▽=0	3 PLACES ± --- ± .015	CHECKED BY: MBANDURA 06/18/97	DATE	APPROVED BY: FSMITH 2012/05/04	MOLEX INCORPORATED
	1 PLACE ± --- ± ---	ANGULAR ±1/2°	MATERIAL NO. 43760-0001	DOCUMENT NO. SD-43760-001	SHEET NO. 2 OF 2	
		DRAFT WHERE APPLICABLE MUST REMAIN WITHIN DIMENSIONS	THIS DRAWING CONTAINS INFORMATION THAT IS PROPRIETARY TO MOLEX INCORPORATED AND SHOULD NOT BE USED WITHOUT WRITTEN PERMISSION			