

PLEASE CHECK WWW.MOLEX.COM FOR LATEST PART INFORMATION

Part Number: [0528081570](#)
Status: **Active**
Overview:
Description: 1.00mm (.039") Pitch FFC/FPC Connector, SMT, Vertical, Non-ZIF Receptacle, 15 Circuits, Lead-free

Agency Certification

UL E29179

General

Product Family FFC/FPC Connectors
 Series 52808
 Overview ffc_fpc_smt
 Product Name N/A

Physical

Circuits (Loaded) 15
 Circuits (maximum) 15
 Color - Resin Natural
 Contact Position N/A
 Durability (mating cycles max) 10
 Entry Angle N/A
 Flammability 94V-0
 Mated Height (in) 0.199 In
 Mated Height (mm) 5.05 mm
 Material - Metal Phosphor Bronze
 Material - Plating Mating Tin-Bismuth
 Material - Plating Termination Tin-Bismuth
 Material - Resin High Temperature Thermoplastic
 Number of Rows 1
 Orientation Vertical
 PCB Locator No
 PCB Retention None
 Packaging Type Embossed Tape on Reel
 Pitch - Mating Interface (in) 0.039 In
 Pitch - Mating Interface (mm) 1.00 mm
 Pitch - Term. Interface (in) 0.039 In
 Pitch - Term. Interface (mm) 1.00 mm
 Plating min: Mating (µin) 40
 Plating min: Mating (µm) 1
 Plating min: Termination (µin) 40
 Plating min: Termination (µm) 1
 Polarized to PCB No
 Stackable No
 Surface Mount Compatible (SMC) Yes
 Temperature Range - Operating -20°C to +80°C
 Termination Interface: Style Surface Mount
 Wire/Cable Type FFC/FPC

Electrical

Current - Maximum per Contact 0.5A
 Voltage - Maximum 125V AC (RMS)/DC

Material Info

Reference - Drawing Numbers

Packaging Specification SPK-52808-001

EU RoHS

**ELV and RoHS
Compliant**

REACH SVHC

Contains SVHC: No

Halogen-Free

Status

Not Reviewed

China RoHS



**Need more information on product
environmental compliance?**

Email productcompliance@molex.com
 For a multiple part number RoHS Certificate of
 Compliance, [click here](#)

Please visit the [Contact Us](#) section for any
 non-product compliance questions.

Search Parts in this Series

52808Series

Product Specification

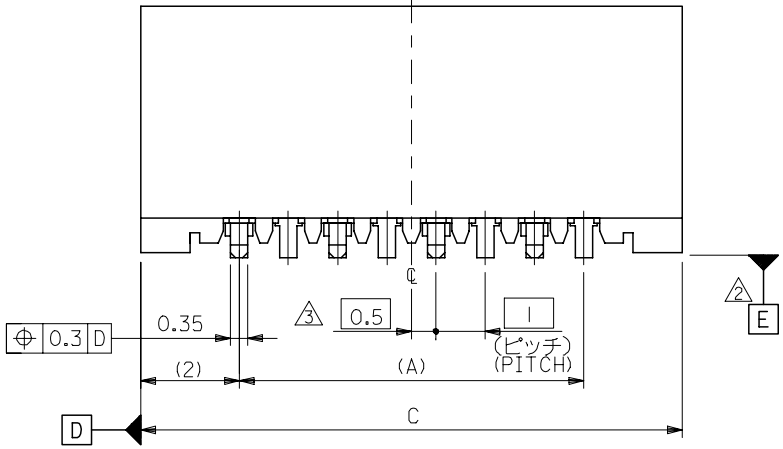
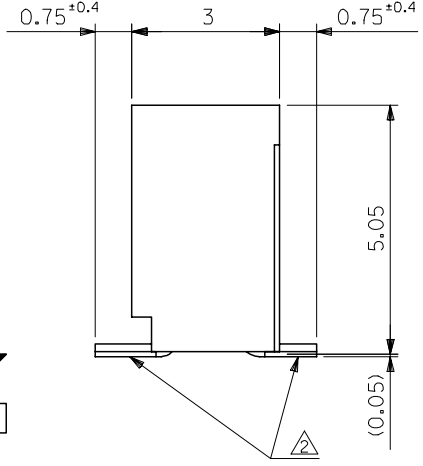
Sales Drawing

PS-52808-004, RPS-52808-039, RPS-52808-044,
RPS-52808-045, RPS-52808-047, RPS-52808-048,
RPS-52808-049
SD-52808-027, SD-52808-028

This document was generated on 06/05/2010

PLEASE CHECK WWW.MOLEX.COM FOR LATEST PART INFORMATION

10 9 8 7 6 5 4 3 2 1



33	31.05	29	52808-3019	30
32	30.05	28	-2919	29
31	29.05	27	-2819	28
30	28.05	26	-2719	27
29	27.05	25	-2619	26
28	26.05	24	-2519	25
27	25.05	23	-2419	24
26	24.05	22	-2319	23
25	23.05	21	-2219	22
24	22.05	20	-2119	21
23	21.05	19	-2019	20
22	20.05	18	-1919	19
21	19.05	17	-1819	18
20	18.05	16	-1719	17
19	17.05	15	-1619	16
18	16.05	14	-1519	15
17	15.05	13	-1419	14
16	14.05	12	-1319	13
15	13.05	11	-1219	12
14	12.05	10	-1119	11
13	11.05	9	-1019	10
12	10.05	8	-0919	9
11	9.05	7	-0819	8
10	8.05	6	-0719	7
9	7.05	5	-0619	6
8	6.05	4	-0519	5
7	5.05	3	52808-0419	4

注記 NOTES:

1. 使用材料 MATERIAL
 ハウジング: PPS, UL94V-0 HOUSING : PPS, UL94V-0
 ターミナル: リン青銅 (±0.25) TERMINAL : PHOSPHOR BRONZE
 メッキ: ニッケル下地鍍ビスマスメッキ PLATING : TIN-BISMUTH OVER NICKEL

⚠ 基準面 [E] からのソルダーテールの半田付け面のズレ量は、
 上方向に0.1 MAX. 下方向0.15 MAX. とする。
 MISALIGNMENT OF SOLDER TAIL FROM [E]
 : UPPER DIRECTION 0.1 MAX. , LOWER DIRECTION 0.15 MAX.

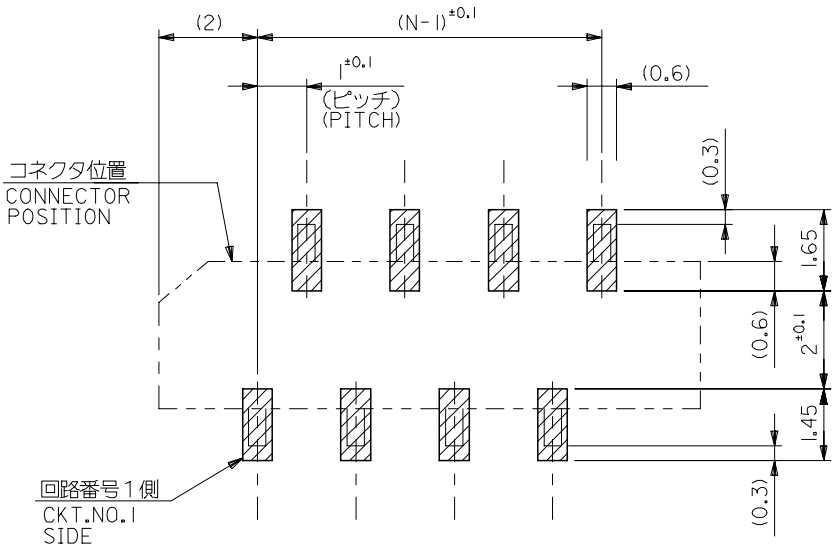
⚠ 偶数極に適用。
 APPLY FOR EVEN CKT.

4. 本製品は52808-**-10の鉛フリー品である。
 THIS PRODUCT IS LEAD FREE OF 52808-**-10

REVISED EC NO: J2006-1497 DRW: NABE1 2005/11/04 CHK: KYOYODA 2005/11/07 APP: NUKITA 2005/11/11	GENERAL TOLERANCES (UNLESS SPECIFIED)		DIMENSION STYLE MM ONLY		SCALE ---	DESIGN UNITS METRIC	THIRD ANGLE PROJECTION
	10 UNDER	±0.2	DRAWN BY M. NABE1	DATE '04/02/19	TITLE 1.0 FFC CONN. NON ZIF SMT. ST. -LEAD FREE-		
	10 OVER 30 UNDER	±0.25	CHECKED BY M. SASAO	DATE '04/02/19	MATERIAL NO. 52808-**-19		
	30 OVER	±0.3	APPROVED BY M. SASAO	DATE '04/02/19	DOCUMENT NO. SD-52808-027		
ANGULAR ±3 °		DRAFT WHERE APPLICABLE MUST REMAIN WITHIN DIMENSIONS		SIZE A3		SHEET NO. 1 OF 1	
THIS DRAWING CONTAINS INFORMATION THAT IS PROPRIETARY TO MOLEX INCORPORATED AND SHOULD NOT BE USED WITHOUT WRITTEN PERMISSION							



(仕上がり厚さ) $0.3^{+0.03}$
THICKNESS
適合FPC推奨寸法
APPLICABLE FPC
RECOMMENDED DIMENSION.



参考基板レイアウト (マウント面)
RECOMMENDED P.C.BOARD
PATTERN DIMENSION. (REF.)
(MOUNTING AREA)

FPCについて:

- 打抜き方向は、導体側から補強板側を推奨いたします。
- 補強フィルム材質は、ポリイミドを推奨いたします。
- 接着剤は、熱硬化接着剤を推奨いたします。

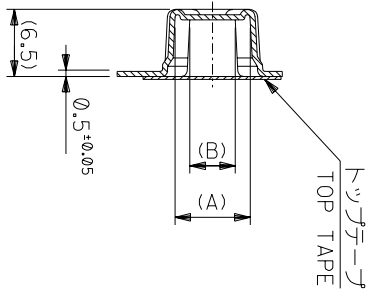
ABOUT FPC:

RECOMMENDED PUNCHER DIRECTION : FROM CONDUCTOR SIDE TO STIFFENER BOARD SIDE.

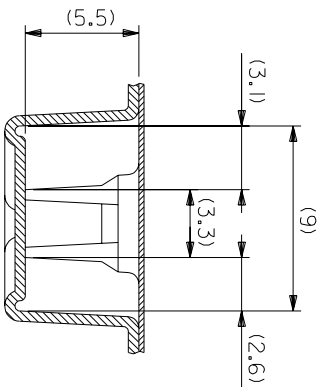
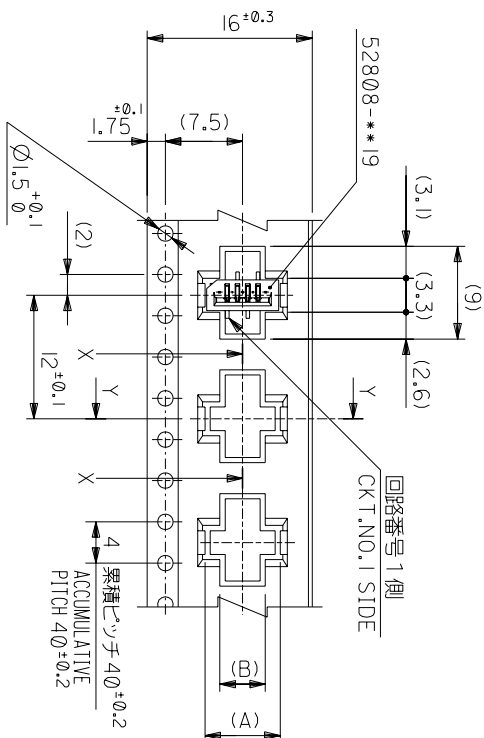
RECOMMENDED MATERIAL:

STIFFENER FILM : POLYIMIDE
BONDING AGENT : THERMOSETTING BONDING AGENT

REVISED EC NO: J2006-1497 DRWN: NABEI 2005/11/04 CHKDK: TOYODA 2005/11/07 APPR: NUKITA 2005/11/11 A	DESCRIPTION GENERAL TOLERANCES (UNLESS SPECIFIED) 10 UNDER ±0.2 10 OVER 30 UNDER ±0.25 30 OVER ±0.3 ANGULAR ±3 ° DRAFT WHERE APPLICABLE MUST REMAIN WITHIN DIMENSIONS	DIMENSION STYLE MM ONLY		SCALE ---	DESIGN UNITS METRIC	THIRD ANGLE PROJECTION	
		DRAWN BY M. NABEI	DATE '04/02/19	TITLE 1.0 FFC CONN. NON ZIF SMT. ST. -LEAD FREE-			
		CHECKED BY M. SASAO	DATE '04/02/19	MOLEX INCORPORATED			
		APPROVED BY M. SASAO	DATE '04/02/19	MATERIAL NO. SEE CHART	DOCUMENT NO. SD-52808-027	SHEET NO. 2 OF 2	
		THIS DRAWING CONTAINS INFORMATION THAT IS PROPRIETARY TO MOLEX INCORPORATED AND SHOULD NOT BE USED WITHOUT WRITTEN PERMISSION					



SECT:Y-Y



16mm幅キャリアテープ
16mm WIDTH CARRIER TAPE

角度 ANGLE	±3°
30以上	±0.2
10以下	±0.25
10 UNDER	±0.2
30 UNDER	±0.2

記号 LTR	0	新規作成 (2004-2528)
REVISION RECORD		
DR-CHK.	MAN/M.S	DATE

MODEL NO.	52808-**-70	キャリアテープ幅 CARRIER TAPE WIDTH	16	17.5	5.4	8.3	52808-0570	5
					4.4	7.3	52808-0470	4
						(A)	MATERIAL NO.	種数 CKT.

材料 MATERIAL SHEET 1 OF 6 参照 REFER TO SHEET 1 OF 6
仕上げ FINISH #
適用電線範囲 適用電線範囲 #
標準外径 INS. RANGE #
DRAWN BY 04/02/19 CHK'D BY 04/02/19
M.NABEJI M.SASAO
APP'D BY 04/02/19 M.SASAO
M.SASAO

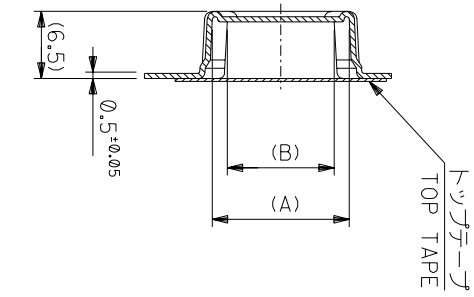
REVISE ONLY ON CAD SYSTEM

TITLE 名称

1.0 FCC CONN NON ZIF
SMT ST Embstd PKG
-LEAD FREE-

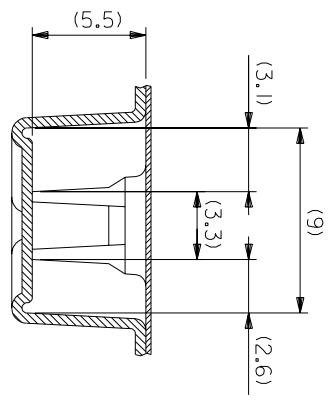
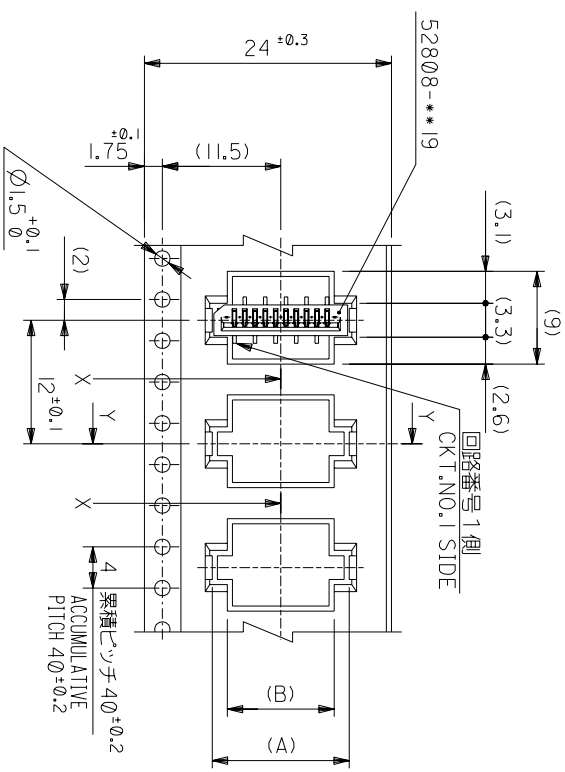
DWG. NO. SD-52808-028 (SHEET 2 OF 6) REV 0

THIS DRAWING CONTAINS INFORMATION THAT IS PROPRIETARY TO MOLEX(JAPAN) AND SHOULD NOT BE USED WITHOUT WRITTEN PERMISSION
本図面は日本モリス(株)の所有する情報を含むもので 当社の許可なく複製を禁止する。



SECT:Y-Y

24mm幅キャリアテープ
24mm WIDTH CARRIER TAPE



SECT:X-X
(SCALE:4-1)

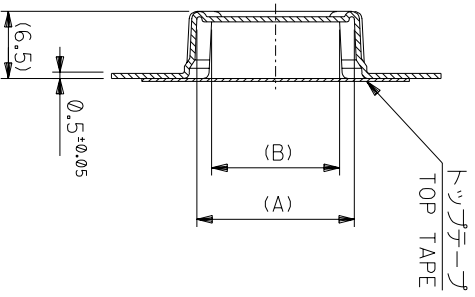
MODEL NO.	52808-**70	キャリアテープ幅 CARRIER TAPE WIDTH	C	(B)	(A)	種数 CKT.
	24	25.5	10.4	13.3	52808-1070	10
			9.4	12.3	52808-0970	9
			8.4	11.3	52808-0870	8
			7.4	10.3	52808-0770	7
			6.4	9.3	52808-0670	6

材料 MATERIAL SHEET 1 OF 6 参照 REFER TO SHEET 1 OF 6
仕上げ FINISH #
適用電線範囲 WIRE RANGE #
検査外径 INS. RANGE #
DRAWN BY 04/02/19 CHK'D BY 04/02/19
M.NABEY M.SASAO
APP'D BY 04/02/19 M.SASAO
SCALE #
MATERIAL NO. MOLEX-JAPAN CO.,LTD.
MOLEX 日本モリス株式会社
REVISE ONLY ON CAD SYSTEM

角度 ANGLE	±3°
30以上 30以下	±0.2
10以上 10以下	±0.25
10以下	±0.2

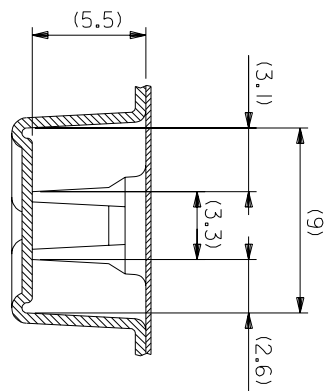
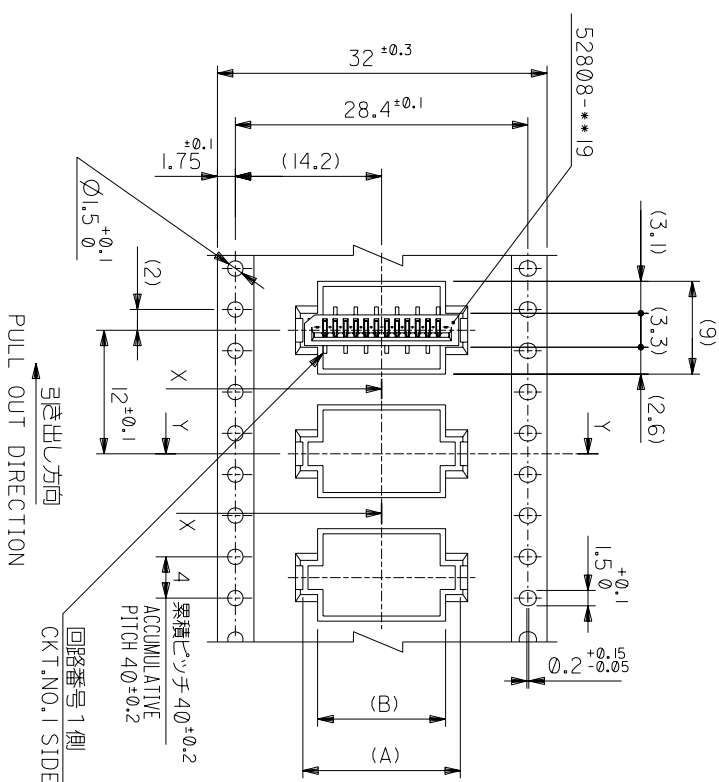
記号 LTR	0	新規作成 (12004-2528)	DR-CHK.	DATE	04/02/19	尺 SCALE	#	DWG. NO.	SD-52808-028	REV	0
変更内容 REVISION RECORD								(SHEET 3 OF 6)			

THIS DRAWING CONTAINS INFORMATION THAT IS PROPRIETARY TO MOLEX(JAPAN) AND SHOULD NOT BE USED WITHOUT WRITTEN PERMISSION
本図面は日本モリス(株)の所有する権利を有するもので 当社の許可なく複製を禁止する。
SD-52808-028.S03



SECT:Y-Y

32mm幅キヤリテープ
32mm WIDTH CARRIER TAPE



SECT:X-X
(SCALE:4-1)

MODEL NO.	52808-**-70	キヤリテープ幅 CARRIER TAPE WIDTH	C	(B)	(A)	種数 CKT.
	32	33.5	15.4	14.4	18.3	15
			17.3	16.3	52808-1570	14
			13.4	15.3	52808-1370	13
			12.4	14.3	52808-1270	12
			11.4		52808-1170	11

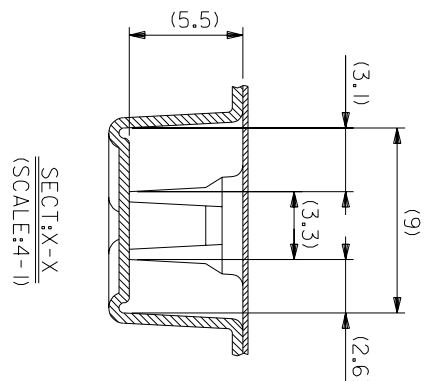
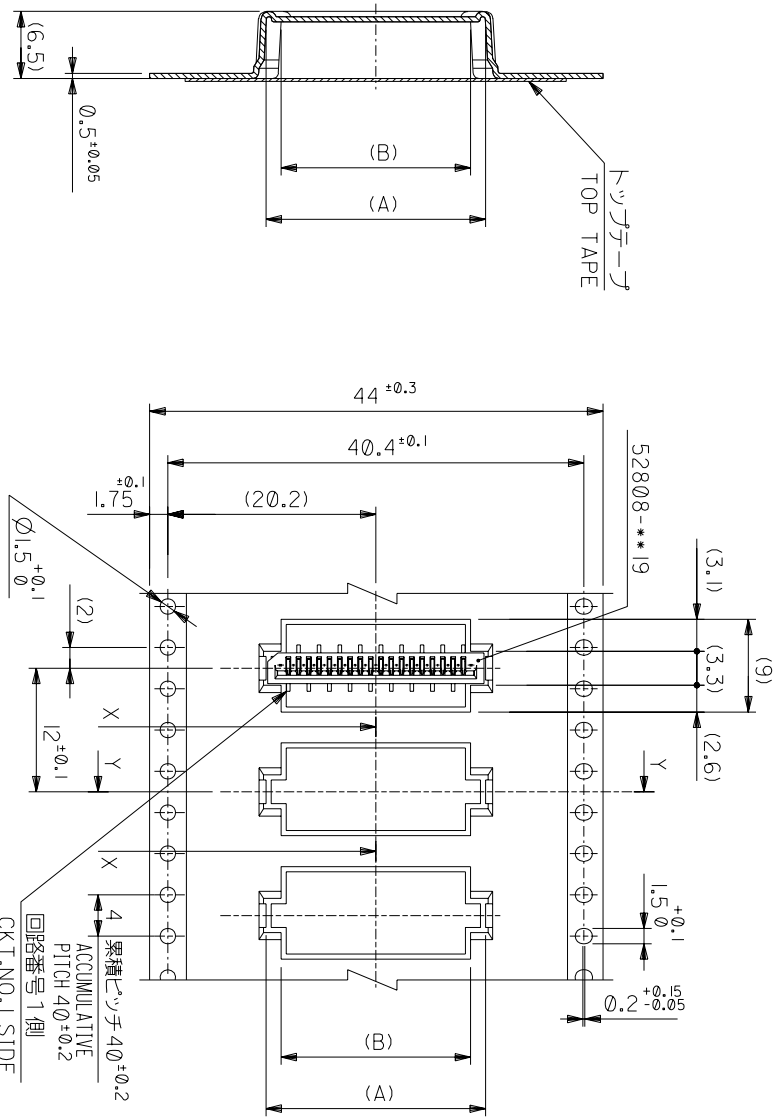
材料 MATERIAL SHEET 1 OF 6 参照 REFER TO SHEET 1 OF 6
仕上げ FINISH #
適用電線範囲 適用電線範囲
標準外径 標準外径
INS. RANGE INS. RANGE

DRAWN BY 04/02/19 CHK'D BY 04/02/19
M.NABEI M.SASAO
APP'D BY 04/02/19 SCALE #/ #
M.SASAO

角度 ANGLE	±3°
30以上	±0.2
10以下	±0.25
10以下	±0.2
10以下	±0.2

記号	0	新規作成 (2004-2528)	DR-CHK.	日付	04/02/19
TR		変更内容	M.S.		
GENERAL TOLERANCES		REVISION RECORD			

THIS DRAWING CONTAINS INFORMATION THAT IS PROPRIETARY TO MOLEX/JAPAN AND SHOULD NOT BE USED WITHOUT WRITTEN PERMISSION
本図面は日本モリス(株)の所有する情報を含むもので 当社の許可なく複製を禁止する。



44mm幅キヤリャテープ
44mm WIDTH CARRIER TAPE

SECT:Y-Y

引き出し方向
PULL OUT DIRECTION

MODEL NO.	キャリアテープ幅 CARRIER TAPE WIDTH	C	(B)	(A)	種数 CKT.
52808-**70	44	45.5			16
					17
					18
					19
					20
					21
					22
					23
					24
					25
					26
					27
					28

材料 MATERIAL	キャリアテープ幅 CARRIER TAPE WIDTH	44	45.5		
参照シート REFER TO SHEET	SHEET 1 OF 6				
仕上げ FINISH	—				
適用電線範囲 WIRE RANGE	—				
標準外径 INS. RANGE	—				
製作者 DRAWN BY	04/02/19	CHK'D BY	04/02/19		
承認者 M.NABEI		尺度 SCALE	M.SASAO		
記号 DR.	0	日付 DATE	M.SASAO		
変更内容 REVISION	0	承認者 M.SASAO			
一般公差 GENERAL TOLERANCES					

角度 ANGLE	±3°
30以上 30 OVER	±0.2
10以下 10 UNDER	±0.25
未注 UNNOTED	±0.2

THIS DRAWING CONTAINS INFORMATION THAT IS PROPRIETARY TO MOLEX(JAPAN) AND SHOULD NOT BE USED WITHOUT WRITTEN PERMISSION
本図面は日本モリス(株)の所有する情報を含むもので 当社の許可なく複製を禁止する。

