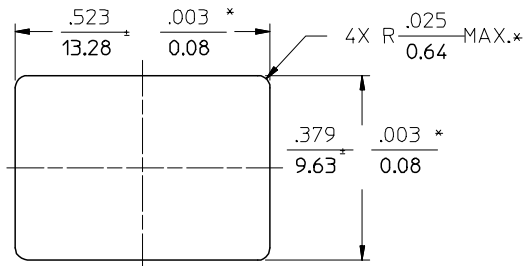
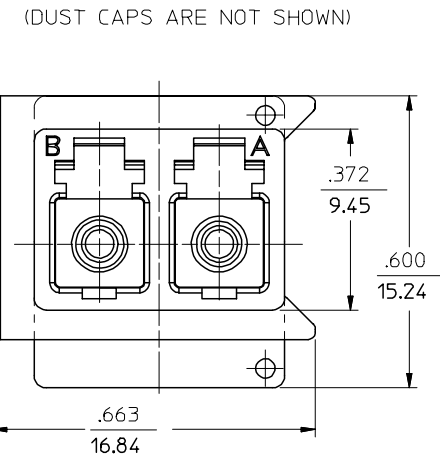
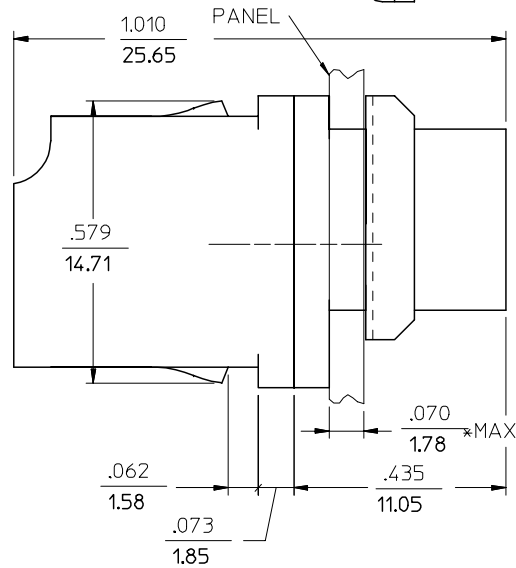
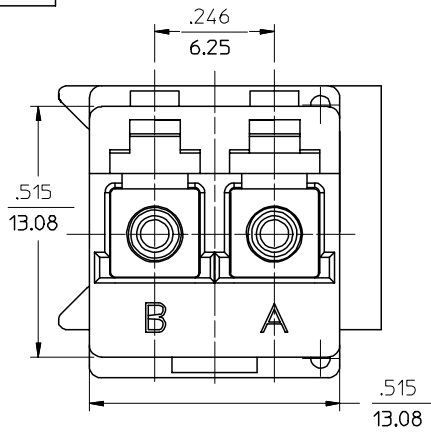
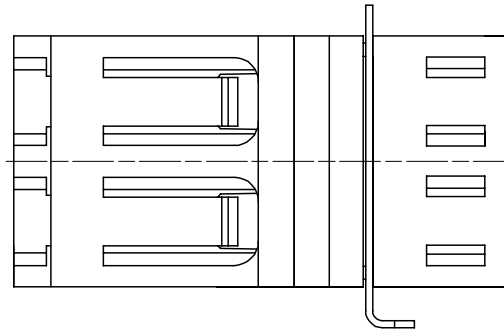


ADAPTER WITH RETAINER P/N	COLOR	SPLIT SLEEVE MATERIAL
106125-1200	BLUE	ZIRCONIA - ZrO ₂
106125-0210	BEIGE	Ph. Bronze
106125-1250	GREEN	ZIRCONIA - ZrO ₂
106125-0200	BLUE	Ph. Bronze
106125-1210	BEIGE	ZIRCONIA - ZrO ₂



NOTES:
1. ALL DIMENSIONS ARE FOR REFERENCE ONLY, EXCEPT WHEN MARKED WITH (*).

RECOMMENDED PANEL CUTOUT
PANEL THICKNESS $\frac{.070}{1.78}$ MAX.

ENTER DESCRIPTION EC NO: MF2006-0253 DRWN:PGIBLIN 2005/10/25 CHKD: 2005/10/25 APPR:IGUMIN 2005/10/26	QUALITY SYMBOLS $\nabla=0$ $\nabla=0$	GENERAL TOLERANCES (UNLESS SPECIFIED)		DIMENSION STYLE	SCALE	DESIGN UNITS	THIRD ANGLE PROJECTION	
		mm	INCH	IN/MM	4:1	INCH		
		4 PLACES	± ---	± ---	DRAWN BY	DATE	TITLE	
		3 PLACES	± ---	± ---	PGIBLIN	2005/10/03	LC DUPLEX ADAPTER, LOW PROFILE, WITH RETAINER	
2 PLACES	± ---	± ---	CHECKED BY	DATE	MOLEX INCORPORATED			
1 PLACE	± ---	± ---	APPROVED BY	DATE	MATERIAL NO.		SHEET NO.	
ANGULAR ±1/2°		DRAFT WHERE APPLICABLE MUST REMAIN WITHIN DIMENSIONS		SEE TABLE		DOCUMENT NO.	1 OF 01	
REV		SIZE B		THIS DRAWING CONTAINS INFORMATION THAT IS PROPRIETARY TO MOLEX INCORPORATED AND SHOULD NOT BE USED WITHOUT WRITTEN PERMISSION				