

Ceramic Singlelayer Feed-Through Capacitors 400V_{DC}

DESIGN:

Feed-through capacitor solderable, varnished

RATED VOLTAGE U_R:

400V_{DC} (280V_{RMS})

DIELECTRIC STRENGTH BETWEEN LEADS:

1250V_{DC} 1s

DISSIPATION FACTOR tan δ:

Ceramic Class 1: see General Information

Ceramic Class 2: ≤ 25 • 10⁻³

INSULATION RESISTANCE R_{IS}:

Ceramic Class 1: ≥ 1 • 10¹⁰Ω

Ceramic Class 2: ≥ 5 • 10⁹Ω

CATEGORY TEMPERATURE RANGE θ_A:

Ceramic Class 1: (- 55 to + 125)°C

Ceramic Class 2: (- 25 to + 85)°C

CLIMATIC CATEGORY EN 60068-1:

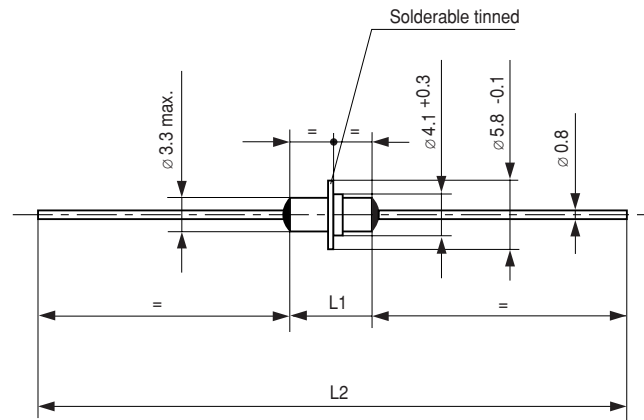
40 / 085 / 04

PERMISSIBLE REACTIVE POWER:

DDLK 0307: 4VAr (Class 2), 67VAr (Class 1)

DDLK 0312: 5.4VAr (Class 2), 90VAr (Class 1)

DDLK 0316: 7.1VAr (Class 2), 120VAr (Class 1)



• Dimensions in mm

	L ₁ (mm)	L ₂ (mm)
DDLK 0307	7	39 +1
DDLK 0312	12	65 +1
DDLK 0316	16	65 +1

PERMISSIBLE POWER LOSS:

DDLK 0307: 135mW

DDLK 0312: 135mW

DDLK 0316: 150mW

DIRECT CURRENT I_{DC}:

10A

MARKING:

none

CLASS	CERAMIC DIELECTRIC	CAPACITANCE VALUES (pF)		
		DDLK 0307	DDLK 0312	DDLK 0316
1 B	P 100	1.5 to 10	to 12	to 36
	NP 0	5 to 15		
	N 075	5 to 20		
	N 150	6.8 to 20	to 62	to 100
	N 470	12 to 30		
	N 750	20 to 62	to 130	to 200
1 F	N 1500	68 to 100	to 150	to 180
2	R 700	180 to 360	to 680	to 1500
	R 2000	390 to 910	to 1600	to 3900
	R 4000	680 to 1800	to 3600	to 6800

CERAMIC DIELECTRIC	NOMINAL VALUE	CAPACITANCE TOLERANCE		
P 100 to N 750	< 10pF	± 0.5pF	± 1pF	
	≥ 10pF		± 10%	± 20%
R 700 to R 2000			- 20 + 50%	
R 4000 to R 6000			- 20 + 50%	- 20 + 80%

ORDERING INFORMATION				
DDLK 0307	400V _{DC}	680pF	- 20 + 50%	R 2000