

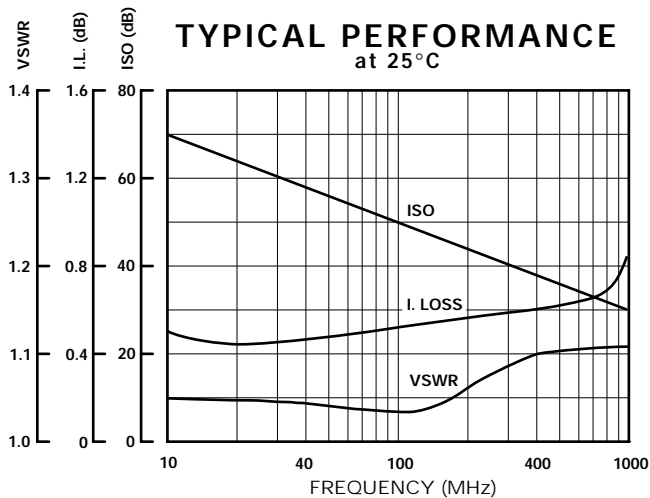
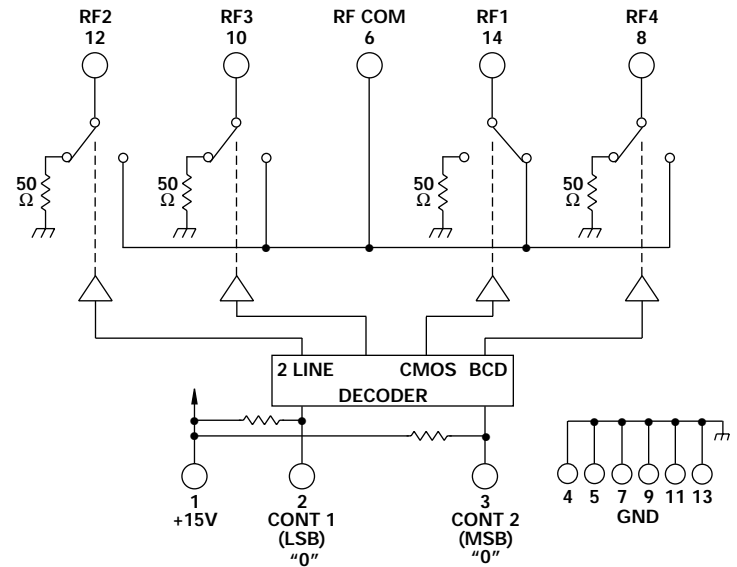
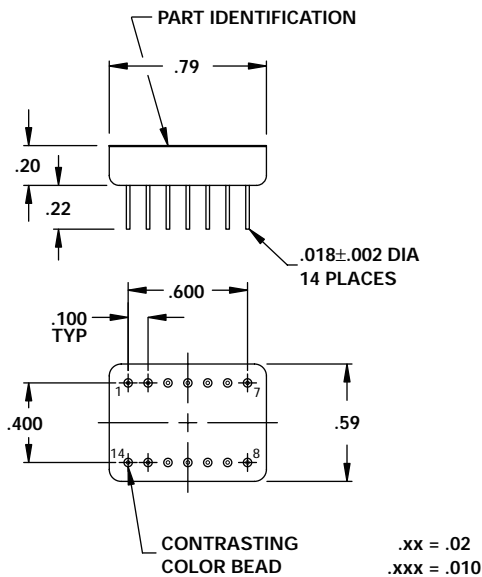
FEATURES

- 10 - 500 MHz
- 8 mA, +15 VDC
- 0.6 dB Insertion Loss
- CMOS Driver with BCD
- Non-Reflective
- Small 14 Pin DIP
- Low Cost



MODEL NO.
DS0545

PIN Diode SP4T



LOGIC TABLE		
Control State		Condition
C1	C2	RF COM to
0	0	RF1
1	0	RF2
0	1	RF3
1	1	RF4

GUARANTEED PERFORMANCE

Parameter	Min	Typ	Max	Units	Conditions
Operating Frequency	10		500	MHz	
DC Current		8	12	mA	At +15 VDC Supply
Control Type		CMOS			2 Line, See Logic Table
Control Current			±1	µA	VIH = +15V
			-2.0	mA	VIL = 0V
Insertion Loss		0.6	0.8	dB	
Isolation	50	55		dB	10 - 30 MHz
	40	45		dB	30 - 100 MHz
	25	30		dB	100 - 500 MHz
VSWR		1.1/1	1.25/1		
		1.2/1	1.5/1		Termination
Impedance		50		OHMS	
Switching Speed		7	35	µSEC	50% CMOS to 90% / 10% RF
Transition (Rise/Fall) Time		4		µSEC	90% / 10% or 10% / 90% RF
Switching (Video) Transients		220		mV	Peak Value
Intercept Points			+76	dBm	
			+47	dBm	
RF Power		+13	+10	dBm	0.1 dB Compression
			+30	dBm	No Damage
Operating Temperature	-55	+25	+125	°C	TA