



1 Megabyte Sync/Sync Burst, Small Outline DIMM

FEATURES

- 2x64Kx72 Synchronous, Synchronous Burst
- Flow-Through Architecture
- Linear and Sequential Burst Support via MODE pin
- Clock Controlled Registered Bank Enables (E1\, E2\)
- Clock Controlled Registered Address
- Clock Controlled Registered Global Write (GW)
- Aysnchronous Output Enable (G\)
- Internally self-timed Write
- Individual Bank Sleep Mode enables (ZZ1, ZZ2)
- Gold Lead Finish
- 3.3V ±10% Operation
- Access Speed(s): TKHQV=8.5, 10, 12, 15ns
- Common Data I/O
- High Capacitance (30pf) drive, at rated Access Speed
- Single total array Clock
- Multiple Vcc and Gnd

The EDI2CG27264VxxD2 is a Synchronous/Synchronous Burst SRAM, 72 position DIMM (144 contacts) Module, small outline. The Module contains four (4) Synchronous Burst Ram Devices, packaged in the industry standard JEDEC 14mmx20mm TQFP placed on a Multilayer FR4 Substrate. The module architecture is defined as a Sync/Sync Burst, Flow-Through, with support for either linear or sequential burst. This module provides High Performance, 2-1-1-1 accesses when used in Burst Mode, and used as a Synchronous Only Mode, provides a high performance cost advantage over BiCMOS aysnchronous device architectures.

Synchronous Only operations are performed via strapping ADSC\ Low, and ADSP\ / ADV\ High, which provides for Ultra Fast Accesses in Read Mode while providing for internally self-timed Early Writes.

Synchronous/Synchronous Burst operations are in relation to an externally supplied clock, Registered Address, Registered Global Write, Registered Enables as well as an Asynchronous Output enable. This Module has been defined for Quad Word access in both Read and Write Operations.

PIN NAMES

DQ0-DQ63	Input/Output Bus
DQP0-DQP7	Parity Bits
A0-A15	Address Bus
E1\, E2\	Synchronous Bank Enables
Clk	Array Clock
GW	Synchronous Global write Enable
G\	Asynchronous Output Enable
ZZ1, ZZ2	Bank Sleep Mode Enables
Vcc	3.3V Power Supply
Vss	Gnd

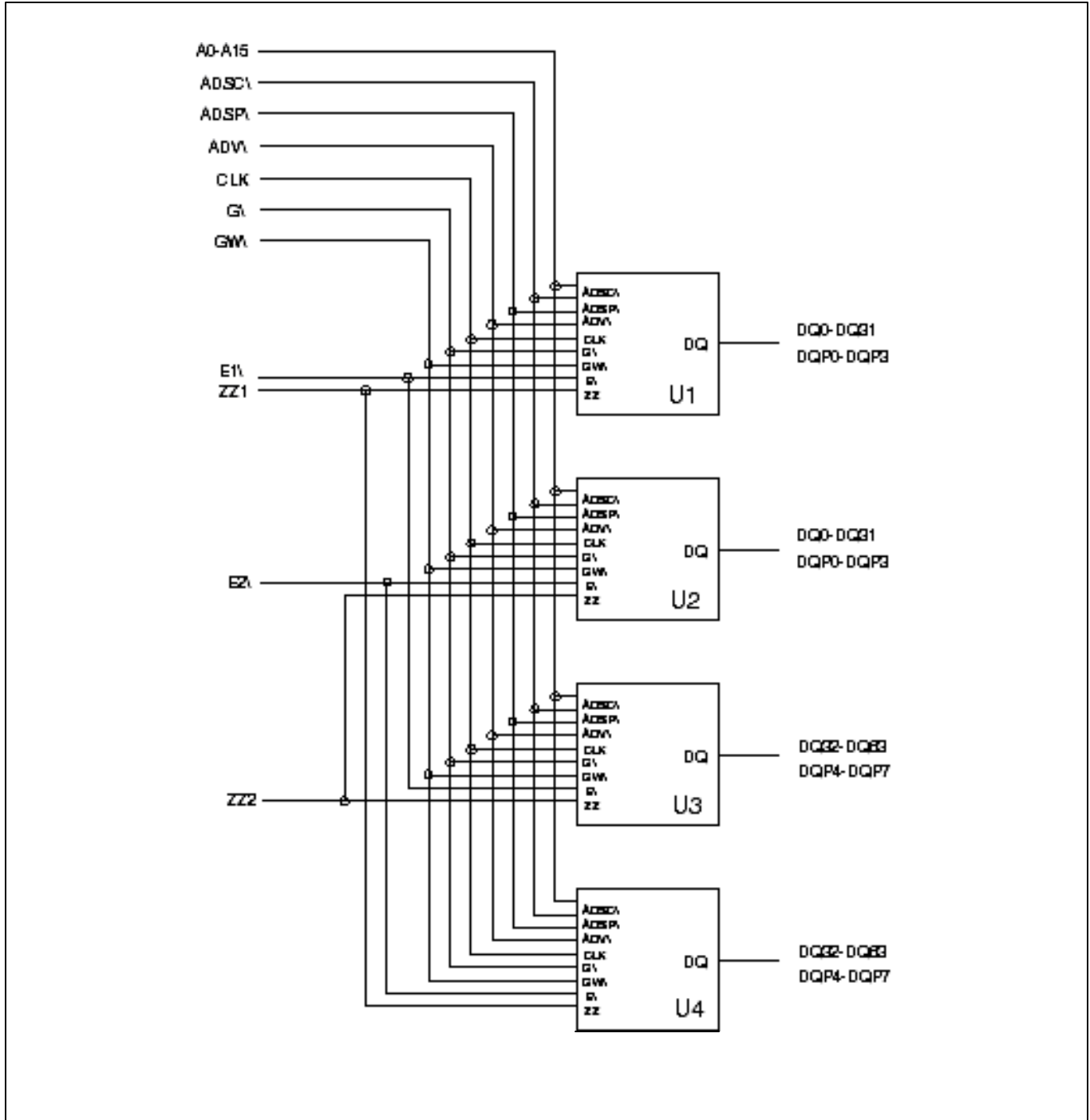


PIN CONFIGURATION

PIN	FUNCTION	PIN	FUNCTION	PIN	FUNCTION	PIN	FUNCTION
1	VSS	37	DQ0	73	VSS	109	DQ41
2	VSS	38	DQ7	74	VSS	110	DQ48
3	A0	39	DQ1	75	ZZ2	111	DQ42
4	RRJ	40	DQ8	78	DQP3	112	DQ45
5	RRJ	41	DQ2	77	VCC	113	DQ43
6	A1	42	DQ5	79	VCC	114	DQ44
7	A2	43	DQ3	79	DQ24	115	VSS
8	A15	44	DQ4	80	DQ31	118	VSS
9	A14	45	VSS	81	DQ25	117	RRJ
10	A3	46	VSS	82	DQ30	119	DQP8
11	A4	47	ZZ1	83	DQ28	119	VCC
12	A13	48	DQP1	84	DQ29	120	VCC
13	A12	49	VCC	85	DQ27	121	DQ48
14	A5	50	VCC	88	DQ26	122	DQ55
15	A6	51	DQ6	87	VSS	123	DQ49
16	A11	52	DQ15	88	VSS	124	DQ54
17	A10	53	DQ9	89	RRJ	125	DQ50
18	A7	54	DQ14	90	DQP4	126	DQ53
19	A8	55	DQ10	91	VCC	127	DQ51
20	A9	56	DQ13	92	VCC	128	DQ52
21	VCC	57	DQ11	93	DQ32	129	VSS
22	VCC	58	DQ12	94	DQ33	130	VSS
23	GA	59	VSS	95	DQ33	131	RRJ
24	RRJ	60	VSS	98	DQ38	132	DQP7
25	GM	61	EA	97	DQ34	133	VCC
26	ADV	62	DQP2	98	DQ37	134	VCC
27	ADSP	63	VCC	99	DQ35	135	DQ58
28	ADSD	64	VCC	100	DQ38	138	DQ59
29	MODE	65	DQ16	101	VSS	137	DQ57
30	CLK	66	DQ23	102	VSS	138	DQ62
31	VSS	67	DQ17	103	RRJ	139	DQ56
32	VSS	68	DQ22	104	DQP5	140	DQ61
33	E1	69	DQ18	105	VCC	141	DQ59
34	DQP0	70	DQ21	106	VCC	142	DQ60
35	VCC	71	DQ19	107	DQ40	143	VSS
36	VCC	72	DQ20	108	DQ47	144	VSS



FUNCTIONAL BLOCK DIAGRAM





PIN DESCRIPTIONS

DIMM Pins	Symbol	Type	Description
3, 6, 7, 10, 11, 14, 15, 18, 19, 20, 17, 16, 13, 12, 9, 8, 3	A0-A15	Input Synchronous	Addresses: These inputs are registered and must meet the setup and hold times around the rising edge of CLK. The burst counter generates internal addresses associated with A0 and A1, during burst and wait cycle.
25	GM	Input Synchronous	Global Write: This active LOW input allows a full 72-bit WRITE to occur independent of the BWE\ and BWx\ lines and must meet the setup and hold times around the rising edge of CLK.
30	CLK	Input Synchronous	Clock: This signal registers the addresses, data, chip enables, write control and burst control inputs on its rising edge. All synchronous inputs must meet setup and hold times around the clock's rising edge.
33, 61	E1\, E2\	Input Synchronous	Bank Enables: These active LOW inputs are used to enable each individual bank and to gate ADSP\.
23	G\	Input	Output Enable: This active LOW asynchronous input enables the data output drivers.
26	ADV\	Input Synchronous	Address Status Processor: This active LOW input is used to control the internal burst counter. A HIGH on this pin generates wait cycle (no address advance).
27	ADSP\ Synchronous	Input	Address Status Processor: This active LOW input, along with EL\ and EH\ being LOW, causes a new external address to be registered and a READ cycle is initiated using the new address.
28	ADSC\ Synchronous	Input	Address Status Controller: This active LOW input causes device to be de-selected or selected along with new external address to be registered. A READ or WRITE cycle is initiated depending upon write control inputs.
29	MODE	InputStatic	Mode: This input selects the burst sequence. A LOW on this pin selects LINEAR BURST. A NC or HIGH on this pin selects INTERLEAVED BURST.
47, 75	ZZ1, ZZ2,	Input Asynchronous	Snooze: These active HIGH inputs put the individual banks in low power consumption standby mode. For normal operation, this input has to be either LOW or NC (no connect).
Various	DQ0-63	Input/Output	Data Inputs/Outputs: First byte is DQ0-7, second byte is DQ8-15, third byte is DQ16-23, fourth byte is DQ24-31, fifth byte is DQ32-39, sixth byte is DQ40-47, seventh byte is DQ48-55 and the eighth byte is DQ56-64.
34, 48, 62, 76, 90, 104, 118, 132	DQP0-7	Input/Output	Parity Inputs/Outputs: DQP0 is parity bit for DQ0-7. DQP1 is parity bit for DQ8-15. DQP2 is parity bit for DQ16-23. DQP3 is parity bit for DQ24-31. DQP4\ is parity bit for DQ32-39. DQP5 is parity bit for DQ40-47. DQP6\ is parity bit for DQ48-55. DQP7 is parity bit for DQ56-64 and DQP7. In order to use the device configured as a 128K x 64, the parity bits need to be tied to Vss through a 10K ohm resistor.
Various	Vcc	Supply	Core power supply: +3.3V -5%/+10%
Various	Vss	Ground	Ground





SYNCHRONOUS BURST - TRUTH TABLE

Operation	E1\	E2\	ADSP\	ADSC\	ADV\	GW\	G\	CLK	DQ	Addr. Used
Deselected Cycle, Power Down; Bank 1	H	X	X	L	X	X	X	L-H	High-Z	None
Deselected Cycle, Power Down; Bank 2	X	H	X	L	X	X	X	L-H	High-Z	None
Read Cycle, Begin Burst; Bank 1	L	H	L	X	X	X	L	L-H	Q	External
Read Cycle, Begin Burst; Bank 1	L	H	L	X	X	X	H	L-H	High-Z	External
Read Cycle, Begin Burst; Bank 2	H	L	L	X	X	X	L	L-H	Q	External
Read Cycle, Begin Burst; Bank 2	H	L	L	X	X	X	H	L-H	High-Z	External
Write Cycle, Begin Burst; Bank 1	L	H	H	L	X	L	X	L-H	D	External
Write Cycle, Begin Burst; Bank 2	H	L	H	L	X	L	X	L-H	D	External
Read Cycle, Begin Burst; Bank 1	L	H	H	L	X	H	L	L-H	Q	External
Read Cycle, Begin Burst; Bank 1	L	H	H	L	X	H	H	L-H	High-Z	External
Read Cycle, Begin Burst; Bank 2	H	L	H	L	X	H	L	L-H	Q	External
Read Cycle, Begin Burst; Bank 2	H	L	H	L	X	H	H	L-H	High-Z	External
Read Cycle, Continue Burst; Bank 1	X	H	X	H	L	H	L	L-H	Q	Next
Read Cycle, Continue Burst; Bank 1	X	H	X	H	L	H	H	L-H	High-Z	Next
Read Cycle, Continue Burst; Bank 2	H	X	X	H	L	H	L	L-H	Q	Next
Read Cycle, Continue Burst; Bank 2	H	X	X	H	L	H	H	L-H	High-Z	Next
Read Cycle, Continue Burst; Bank 1	H	H	X	H	L	H	L	L-H	Q	Next
Read Cycle, Continue Burst; Bank 1	H	H	X	H	L	H	H	L-H	High-Z	Next
Read Cycle, Continue Burst; Bank 2	H	H	X	H	L	H	L	L-H	Q	Next
Read Cycle, Continue Burst; Bank 2	H	H	X	H	L	H	H	L-H	High-Z	Next
Write Cycle, Continue Burst; Bank 1	X	H	H	H	L	L	X	L-H	D	Next
Write Cycle, Continue Burst; Bank 1	H	H	X	H	L	L	X	L-H	D	Next
Write Cycle, Continue Burst; Bank 2	H	X	H	H	L	L	X	L-H	D	Next
Write Cycle, Continue Burst; Bank 2	H	H	X	H	L	L	X	L-H	D	Next
Read Cycle, Suspend Burst; Bank 1	X	H	H	H	H	H	L	L-H	Q	Current
Read Cycle, Suspend Burst; Bank 1	X	H	H	H	H	H	H	L-H	High-Z	Current
Read Cycle, Suspend Burst; Bank 2	H	X	H	H	H	H	L	L-H	Q	Current
Read Cycle, Suspend Burst; Bank 2	H	X	H	H	H	H	H	L-H	High-Z	Current
Read Cycle, Suspend Burst; Bank 1	H	H	X	H	H	H	L	L-H	Q	Current
Read Cycle, Suspend Burst; Bank 1	H	H	X	H	H	H	H	L-H	High-Z	Current
Read Cycle, Suspend Burst; Bank 2	H	H	X	H	H	H	L	L-H	Q	Current
Read Cycle, Suspend Burst; Bank 2	H	H	X	H	H	H	H	L-H	High-Z	Current
Write Cycle, Suspend Burst; Bank 1	X	H	H	H	H	L	X	L-H	D	Current
Write Cycle, Suspend Burst; Bank 1	H	H	X	H	H	L	X	L-H	D	Current
Write Cycle, Suspend Burst; Bank 2	H	X	H	H	H	L	X	L-H	D	Current
Write Cycle, Suspend Burst; Bank 2	H	H	X	H	H	L	X	L-H	D	Current



SYNCHRONOUS ONLY - TRUTH TABLE

Operation	E1\	E2\	GW\	G\	ZZ	CLK	DQ
Synchronous Write-Bank 1	L	H	L	H	L	↑	High-Z
Synchronous Read-Bank 1	L	H	H	L	L	↑	
Synchronous Write-Bank 2	H	L	L	H	L	↑	High-Z
Synchronous Read-Bank 2	H	L	H	L	L	↑	
Synchronous Write-Bank 3	H	H	L	H	L	↑	High-Z
Synchronous Read-Bank 3	H	H	H	L	L	↑	
Synchronous Write-Bank 4	H	H	L	H	L	↑	High-Z
Synchronous Read-Bank 4	H	H	H	L	L	↑	
Snooze Mode	X	X	X	X	H	X	High-Z

ABSOLUTE MAXIMUM RATINGS*

Voltage on Vcc Relative to Vss	-0.5V to +4.6V
Vin	-0.5V to Vcc +0.5V
Storage Temperature	-55°C to +125°C
Operating Temperature (Commercial)	0°C to +70°C
Operating Temperature (Industrial)	-40°C to +85°C
Short Circuit Output Current	10 mA

*Stress greater than those listed under "Absolute Maximum Ratings" may cause permanent damage to the device. This is a stress rating only and functional operation of the device at these or any other conditions greater than those indicated in operational sections of this specifications is not implied. Exposure to absolute maximum rating conditions for extended periods may affect reliability.

RECOMMENDED DC OPERATING CONDITIONS

Parameter	Sym	Min	Typ	Max	Units
Supply Voltage	VCC	3.14	3.3	3.6	V
Supply Voltage	VSS	0.0	0.0	0.0	V
Input High	VH	1.1	3.0	VCC+0.3	V
Input Low	VL	-0.3	0.0	0.3	V
Input Leakage	ILi	-2	1	2	µA
Output Leakage	ILo	-2	1	2	µA

DC ELECTRICAL CHARACTERISTICS - READ CYCLE

Description	SYM	Typ	Max				Units
			8.5	9	10	12	
Power Supply Current	Icc1	1.55	2.2	2.1	2.1	2.0	A
Power Supply Current	Icc	750	1.5	1.5	1.0	1.0	A
Device Selected, No Operation							
Snooze Mode	IccZZ	150	220	210	200	200	mA
CMOS Standby	Icc3	400	700	700	625	600	mA
Clock Running-Deselect	IccK	600	1.0	1.0	.75	.75	A

AC TEST CONDITIONS

Input Pulse Levels	Vss to 3.0V
Input and Output Timing Ref.	1.25V
Output Test equivalencies	

AC TEST LOAD

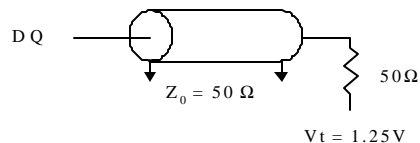
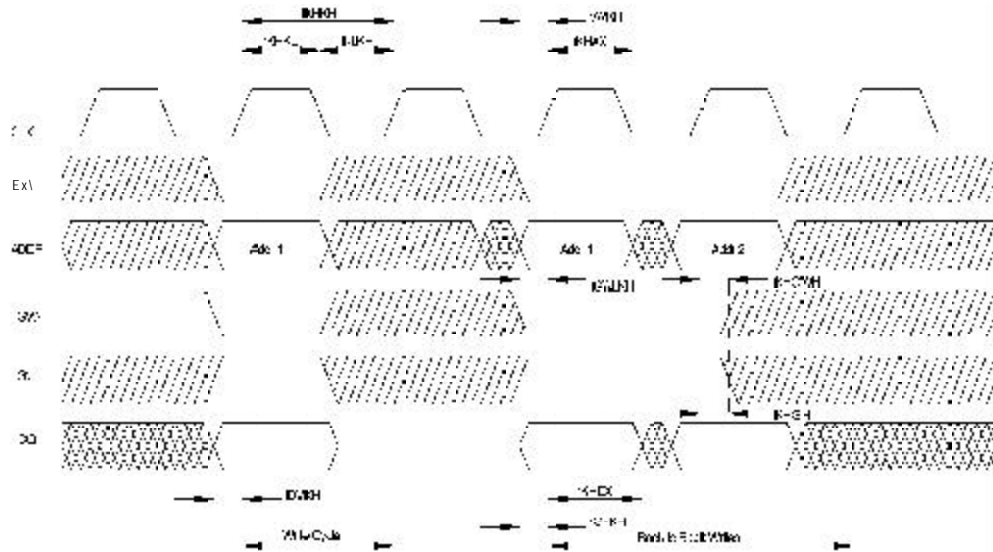


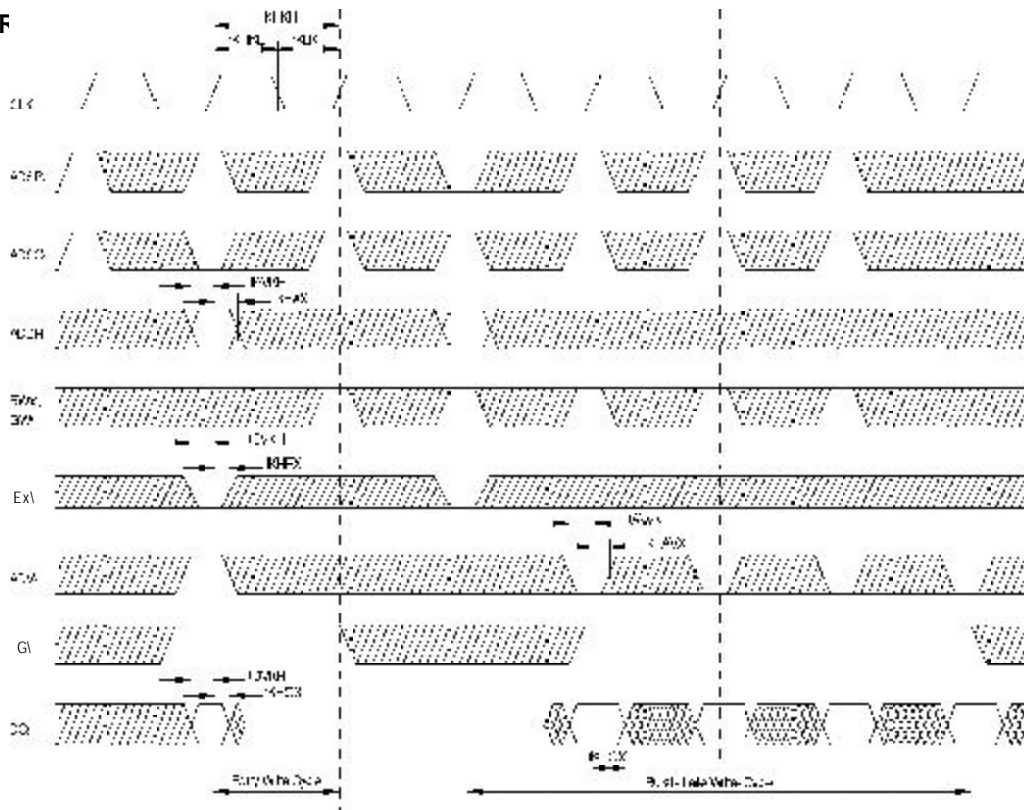
Fig. 1 Output Load Equivalent



SYNC (NON-BURST) WRITE CYCLE

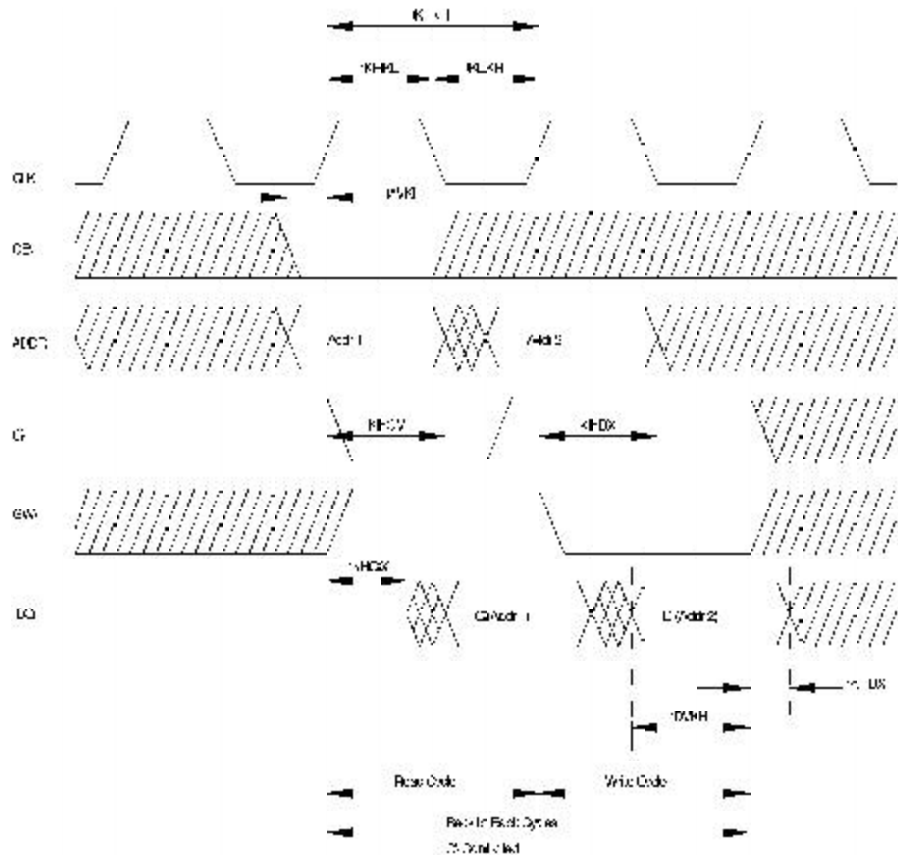


SYNCBUF





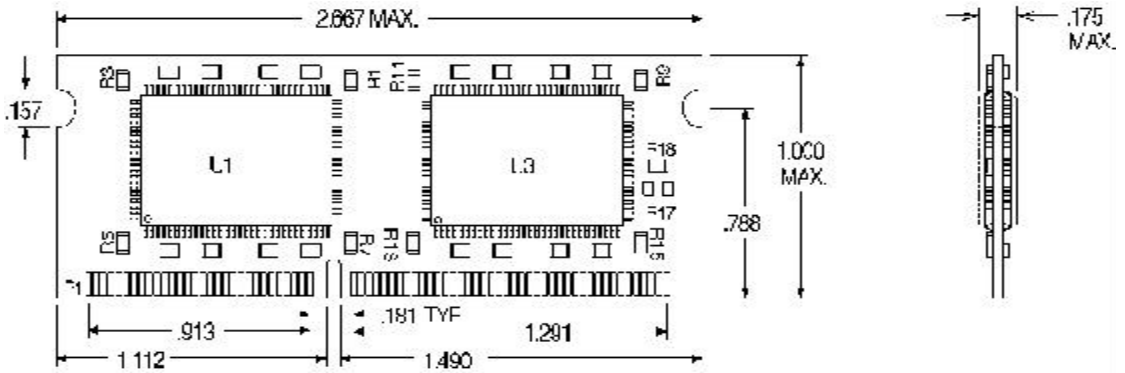
SYNC (NON-BURST) READ/WRITE CYCLE





PACKAGE DESCRIPTION

144 Lead
Small Outline DIMM



Ordering Information

Part Number	Organization	Voltage	Speed (ns)	Package
EDI2CG27264V85D1*	2x64Kx72	3.3	8.5	144 Small Outline DIMM
EDI2CG27264V9D1*	2x64Kx72	3.3	9	144 Small Outline DIMM
EDI2CG27264V10D1	2x64Kx72	3.3	10	144 Small Outline DIMM
EDI2CG27264V12D1	2x64Kx72	3.3	12	144 Small Outline DIMM

*Consult Factory for Availability