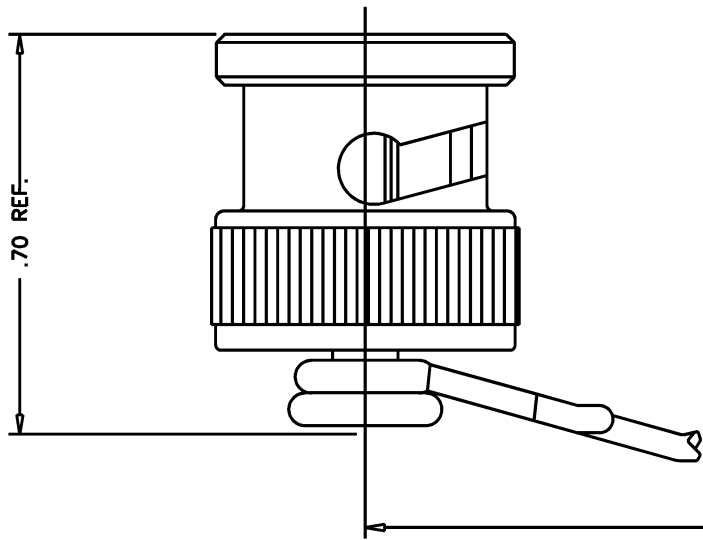
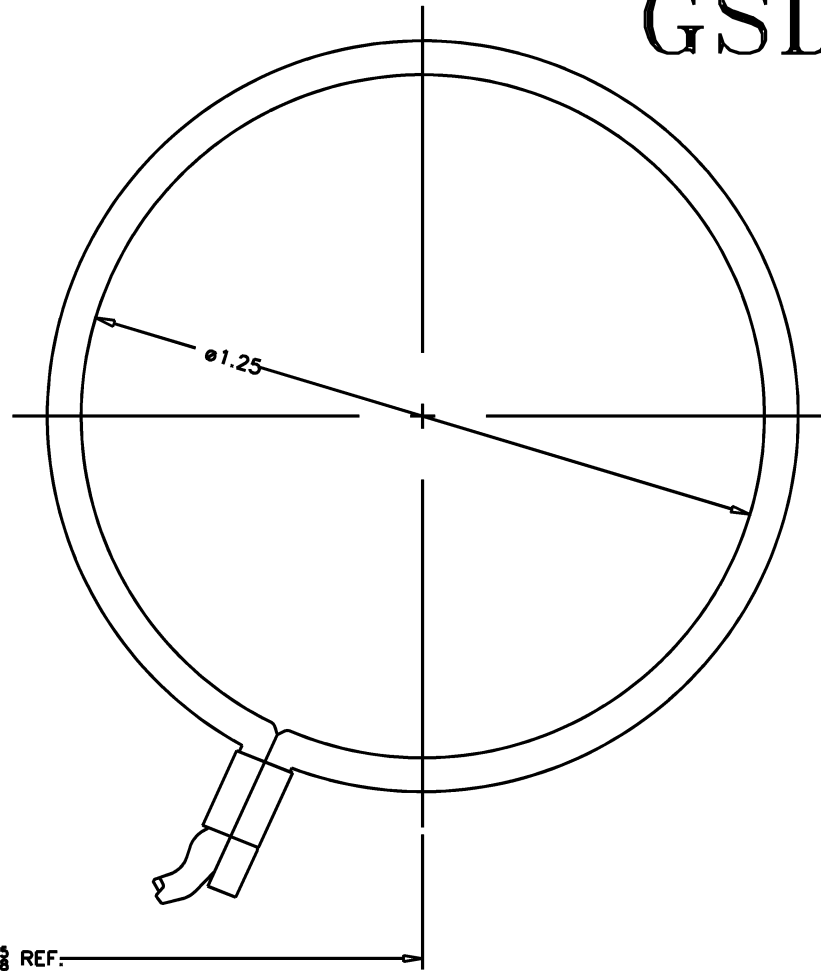


GSD

758-42-9

REVISIONS

ISSUE	CHANGES
0	ER 39856 DCT 3/21/7
1	CN 39912 A DCT 4/30/7



2 1/8 REF.

NOTES:

1. MATERIALS:

- PAD: CONDUCTIVE SILICONE RUBBER
- CORD: CORELESS NYLON CORD PER MIL-C-7515.
- CLIP: STAINLESS STEEL-BLACKNED
- ALL OTHER METAL PARTS-BRASS, ASTM-B16

2. FINISHES:

- ALL OTHER METAL PARTS: NICKEL PLATE PER SAE-AME-QQ-N-290

SCALE 4:1

APPROX SURFACE AREA

-

USED ON

REF:

BNC CAP & CORD ASS'Y

DRAWN	DCT	DATE	3/21/7
-------	-----	------	--------

DESIGN	DCT	DATE	1/29/7
--------	-----	------	--------

APPR.	DATE
-------	------

KINGS
ELECTRONICS CO., INC.
ROCK HILL, SOUTH CAROLINA 29730

GSD

758-42-9