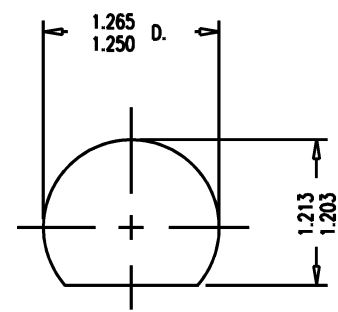
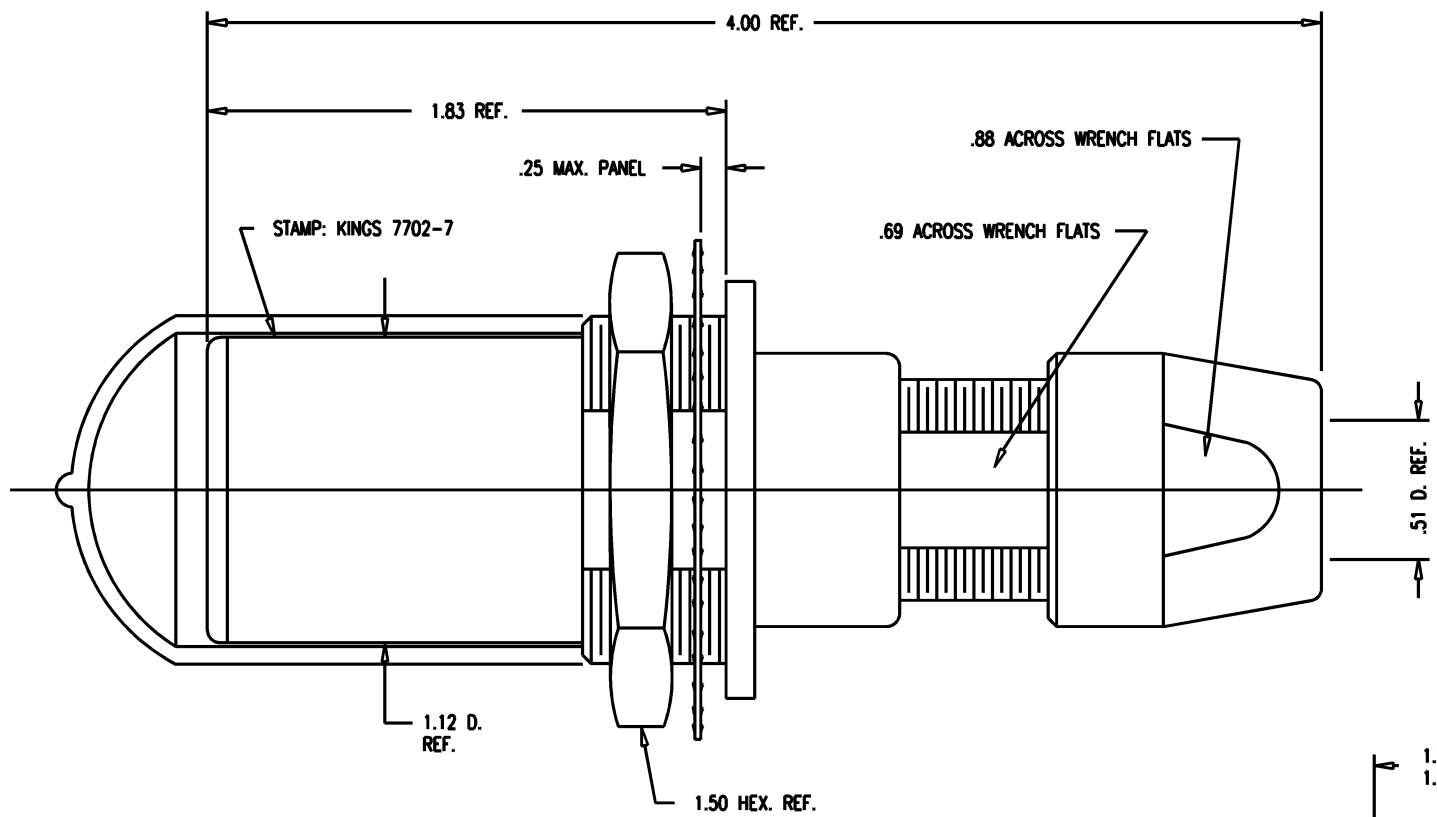


DASH NO.	M CODE	MADE FROM
----------	--------	-----------

# GSD

7702-7

REVISIONS	
ISSUE	CHANGES
0	ER 35433 KH 04/17/95
1	CN 37238 D KH 02/03/97



MOUNTING HOLE

# GSD

**NOTES:**

- FOR USE WITH 700 CABLE GROUPS.
- FOR CABLING INSTRUCTIONS SEE KAI-8010.
- FOR CABLE TRIMMING USE KTJ-300 AND KTD-300.
- FOR CRIMPING USE DIE KTH-2040.
- MATERIALS:  
 INSULATORS-TEFLON, ASTM-D-4894  
 LOCKWASHER-SPRING STEEL, ASTM-A-682  
 GASKETS-SILICONE RUBBER, ZZ-R-765  
 CAP-VINYL  
 K-GRIP SLEEVE-COMMERCIAL BRONZE, ASTM-B-135  
 CENTER CONTACT  
 OUTER CONTACT SPRING } BER. COP., ASTM-B-196  
 INSERT

- FINISHES:  
 CENTER CONTACT } GOLD PLATE PER MIL-G-45204  
 OUTER CONTACT SPRING }  
 LOCKWASHER }  
 NUTS } KINGS TARNISH RESISTANT FINISH (TR-5)  
 COLLET }  
 BODIES }  
 ALL OTHER METAL PARTS-SILVER PLATE PER QQ-S-365
- ELECTRICAL CHARACTERISTICS:  
 NOMINAL IMPEDANCE: 75 OHMS  
 FREQUENCY RANGE: DC-500 MHZ  
 VOLTAGE BREAKDOWN: CENTER CONDUCTOR/INNER GROUND: 1500 VRMS  
 INNER GROUND/OUTER GROUND: 500 VRMS

KAM5565

SCALE 2:1
APPROX SURFACE AREA
USED ON
REF: KP-8021-707-400
JACK, BULKHEAD, TRI-LOC SERIAL DIGITAL
DRAWN KH DATE 04/17/95
DESIGN DW DATE 04/18/95
APPR. DATE

**KINGS**  
 ELECTRONICS CO., INC.  
 TUCKAHOE, NEW YORK 10707

7702-7